

Technical Drawings &
FAQ Data Sheets



MOSCA
LED & Bluetooth™ Mirror Range

Safety & Installation Notes

MOSCA Technical Details Safety & Installation Notes

Heated Demister Pad

All of our mirrors come with heated demister pads enabling you to use the mirrors in steamy bathrooms. The pads heat the mirror to above room temperature which stops mist appearing on the mirror.

Infrared On/Off Switch

All Scudo mirrors are built using no-touch on/off switches. By simply moving your hand under the sensor the mirror can be turned on and off without the need for a pull switch or leaving fingerprints on the mirrors.

Landscape & Portrait Mounting

All of our mirrors can be hung portrait or landscape (excluding LED-MIRROR003). By doing this the on/off switch would be moved from the bottom of the mirror to the side of the mirror.

Shaver Socket

Build-in charging socket suitable for toothbrushes, shavers and trimmers.

Bluetooth™

This innovative feature allows any Bluetooth™-enabled device to stream music or live radio to the mirror. Available only on LED-MIRROR004.

IP44 Rated Class 1 Rated

All mirrors are IP44, Class 1 Rated and suitable for installation in zones 2 or 3 of a bath/shower room.

Safety Glass

5mm thick mirror.

Electrical Safety Information

SCUDO recommends that all electrical bathroom products should only be fitted by a qualified - Part P registered electrician in accordance with the current IEE Regulations.

Ensure the Mains supply is switched off before attempting installation.

Before drilling ensure there are no hidden cables or pipes in the wall..

Installation Information

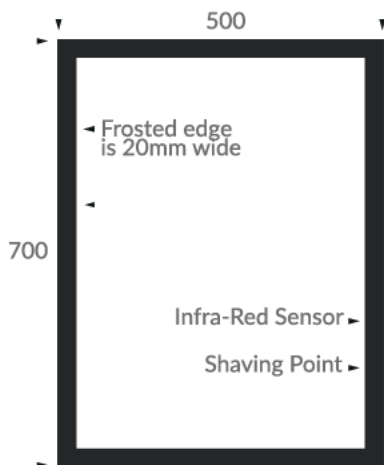
SCUDO recommends that you receive the product before commencing with installation is attempted as all sizes and measurements are approximate.

SCUDO try and ensure all measurements are as accurate as possible. In the interest of continued product development, SCUDO reserves the right to alter specifications as necessary. E & OE.

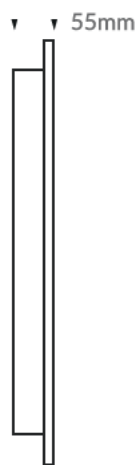
Technical Drawings

MOSCA LED Mirror 500x700mm

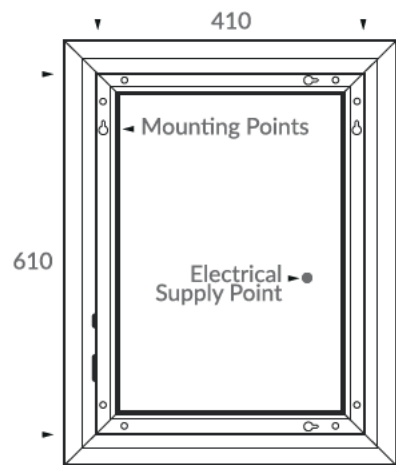
LED-MIRROR001



FRONT VIEW



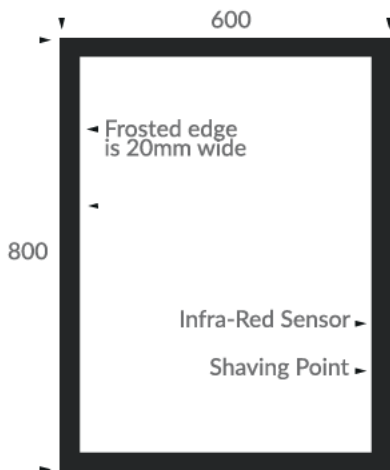
SIDE VIEW



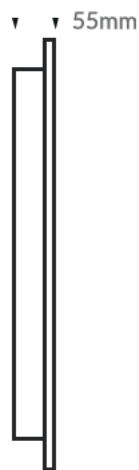
BACK VIEW

MOSCA LED Mirror 600x800mm

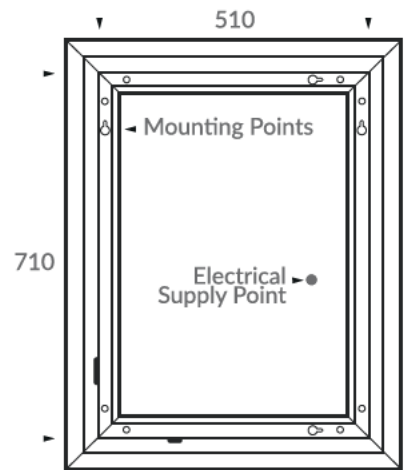
LED-MIRROR002



FRONT VIEW



SIDE VIEW

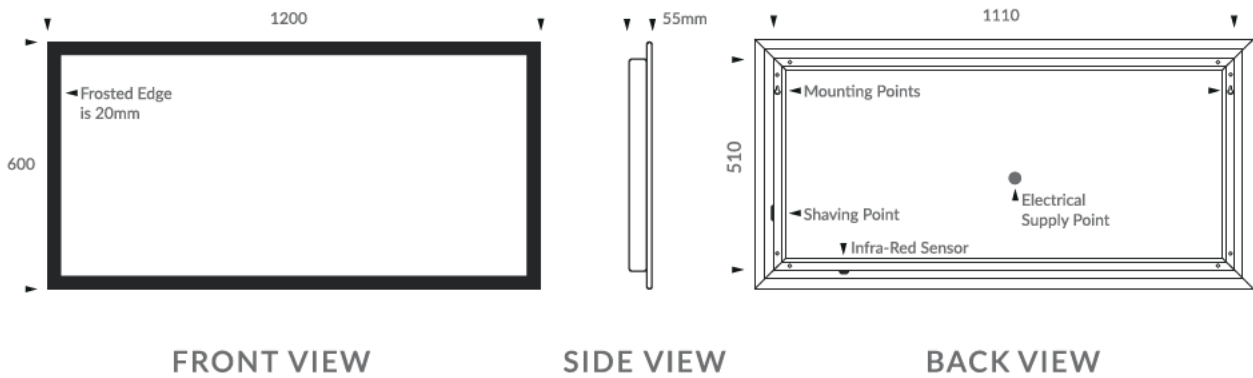


BACK VIEW

Technical Drawings

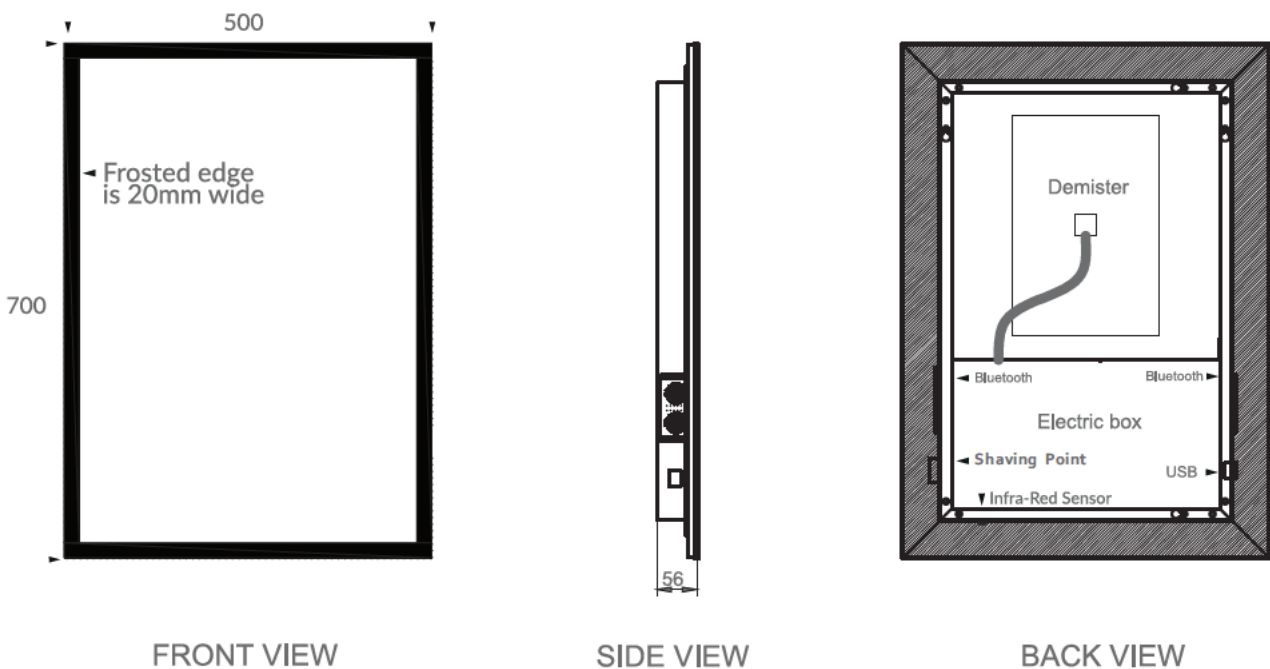
MOSCA LED Mirror 1200x600mm

LED-MIRROR003



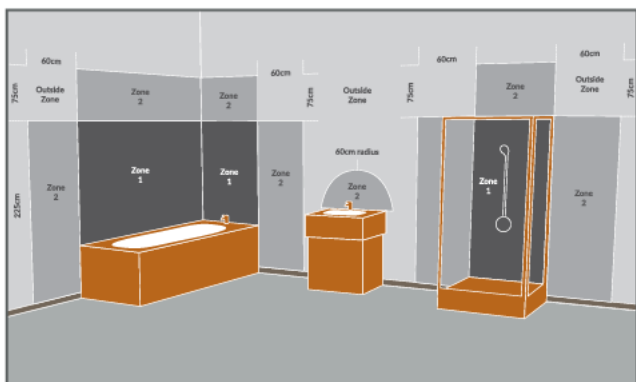
MOSCA Bluetooth™ Speaker LED Mirror 500 x 700

LED-MIRROR004



Safety & Installation Notes

MOSCA Safety & Installation Notes



These products are suitable for installation in zones: 2 & Outside Zone

All installations must comply with guidelines which are based on a zonal concept. The diagram above illustrates this concept and must be followed to ensure the safe installation of Electrical appliances in the bathroom. These regulations apply to domestic installations only. Installations must be made in accordance with the current IEE wiring regulations and relevant building regulations. SCUDO recommends that all electrical bathroom products should only be fitted by a suitably qualified, Part P registered electrician.

Installation

1. Position the Mirror in a suitable location according to the Zonal diagram above, ensuring that the domestic electrical mains supply is within reach of the electrical entry point of the product.
2. Carefully mark the position of the mirror using a soft pencil ensuring it is level. Remove the mirror and mark the mounting points. Please ensure that all marked mounting points accurately match up with the fixing points on the mirror.
3. Using a suitable drill bit, drill holes in the marked positions to a suitable depth. If drilling through tile, use a ceramic drill bit.
4. Insert wall plugs level with the surface of the wall. If fitting to a tiled surface, wall plugs should be inserted below the tile surface to avoid cracking. NB. For plasterboard walls, specialist fixings should be purchased, available from any DIY or hardware store.
5. Screw supplied fixings into wall plugs.
6. Ensure the domestic electrical mains supply to which the mirror is being connected is turned off. Connect the domestic mains supply to the terminal box according to the wiring diagram.
7. Hang the mirror in position.
8. Switch the domestic electrical mains supply for the mirror back on.

Operation Instructions

To turn on or off, wave hand under the sensor switch located at the bottom of the mirror.
The Heated Pad is only on when the Mirror is illuminated.

Mosca LED & Bluetooth™ Mirrors

Mosca LED Mirror 500 x 700

Mosca LED Mirror 600 x 800

MoscaLED Mirror 1200 x 600

Mosca Bluetooth™ Mirror 500 x 700

Thankyou for purchasing this SCUDO Product.

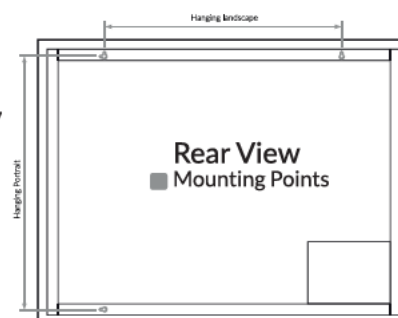
Please read through these instructions thoroughly and refer back to them during installation to ensure that your product is fitted safely and that it retains it's high quality finish.

Please retain this leaflet for future reference.

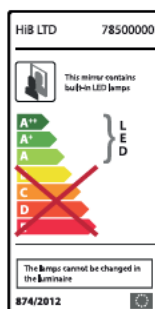
Before installation, ensure the domestic electrical mains supply to the mirror is to be connected to is switched off. Before drilling, ensure that there are no hidden cables or pipes in the wall.

Mounting Points Diagram

Mosca 5x7
Mosca 6x8
Mosca 12x6
Mosca Bluetooth 5x7



N.B These products must be installed with a minimum distance of 200mm between the infra-red sensor switch and any adjacent wall or object to ensure correct operation of the sensor



Care Instructions

Do not use abrasives or solvents when cleaning this product. Wipe off all water spillages as soon as possible using a soft, damp cloth

Aftercare Service

In the unlikely event that this product should fail please contact SCUDO customer service on the contact number.

Technical Q&A's

MOSCA LED & Bluetooth Mirror Range FAQ's

	MOSCA LED 500x700 LED-MIRROR001	MOSCA LED 600x800 LEDMIRROR002	MOSCA LED 1200x600 LED-MIRROR003	MOSCA LED Bluetooth 500x700 LED-MIRROR004
A. Nett Weight (kg)	7.6	9.8	14	7.8
B. Light Source	LED	LED	LED	LED
C. Light source average lightspan	3k (hrs)	3k (hrs)	3k (hrs)	3k (hrs)
D. Total Rated Wattage (W)	38w	45w	69.1w	53.2w
E. Lumens (Lm)	1220Lm	1460Lm	1920Lm	1220LM
F. Kelvins (K)	6400k	6400k	6400k	6400k
G. Is the Mirror Dimmable	No	No	No	No
H. Energy Rating	A	A	A	A
I. What orientation can the mirror be hung in	Portrait or Landscape	Portrait or Landscape	Landscape	Portrait or Landscape
J. Is the heated pad only on when the mirror is illuminated	Yes	Yes	Yes	Yes
K. Does the mirror require an earth connection	Yes	Yes	Yes	Yes
L. Can I bypass the sensor so the mirror comes on with the main room light	No	No	No	No
M. Is it cool white or warm white illumination	Cool White	Cool White	Cool White	Cool White
N. How long is the warranty	2Yrs	2Yrs	2Yrs	2Yrs

Check out our full range of Bathroom Accessories

Bathroom Accessory Sets

Heated Towel Rails

Bathroom Extractor Fans

Bathroom Lighting

Shower Seats

Grab Rails

Shower Curtains

Toilet Brushes

Bathroom Cleaning Products

Wall Mounted Bathroom Accessories

Robe Hooks

Bathroom Tumblers

Toilet Roll Holders

Soap Dishes

Towel Rings

Shower Caddies

Bathroom Mirrors

Standard Bathroom Mirrors

LED Bathroom Mirrors

Shaving Mirrors

plumbworld
Big brands, small prices.