

Plumbing Systems and Water Pressure

All products are suitable for all UK Water Authority supply pressures. If the taps are installed at low pressure (tank fed) then the minimum height from the outlet of the nozzle to the underside of the cold tank should be 2.0 metres to ensure adequate performance.

These taps should be installed in accordance with the current Water Regulations. Any claims that may arise will be dealt with on the basis that isolating valves are fitted.

Water Pressure:

We recommend a minimum water pressure of 0.5 Bar and a maximum of 5 Bar to ensure efficient operation of your product.

Cleaning/General Care

Chrome and Gold plated finishes should be cleaned with warm water and a soft cloth, rinsed and then immediately buffed with a dry soft cloth. Under no circumstances must any aggressive or abrasive cleaning agents be used. The use of any abrasive agents or materials will invalidate the guarantee.

Customer Care Helpline

Telephone: 01490 266060

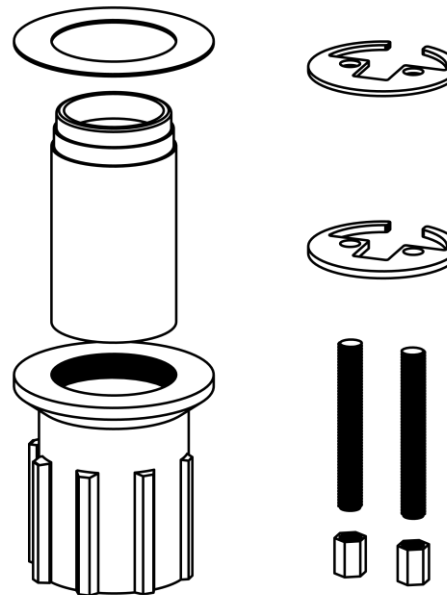
Email: technical@plumbworld.co.uk

Installation Guide

Follow these instructions before fitting the tap detailed in this guide.

Prior to installation, please check that your plumbing system is adequate and that all pipes have been sufficiently flushed through.

1. Turn off the mains cold water supply. The mains stopcock is usually found where the supply enters the building.
2. It is also recommend that any hot water heating systems are turned off.
3. Drain the hot and cold water systems. To ensure complete drainage, open all taps.
4. Position the tap over the hole, ensuring the rubber seal is positioned properly between the tap body and the sink. Or in the case that the product includes a base plate ensuring the rubber seal is between the base plate and the sink.



5. Using the fixing nut(s) supplied, screw the short threaded bar(s) into the hole(s) on the underneath of the body. Next, screw the flexi tails in to each of the other holes (ensure these are screwed in firmly). Please make sure the threaded bar(s) are fully through sink hole.
6. Place the rubber bracket gasket over the threaded bar(s) along with the brass bracket and locking nut(s) and tighten up. **DO NOT OVER TIGHTEN.**
7. In the case of using black fixing nut and threaded tail as fixing kits, please fix the threaded tail to the bottom of tap body and pass it through the fixing hole on worktop, and then fix the threaded tail underneath the worktop and tighten it.
8. Tip: In order to help firm tightening of the tap to the worktop, you can position the tap about 90 degrees anti-clockwise away from the normal position when tightening the black nut by hand underneath the worktop. Then grasp the tap and turn clockwise until it sits straight in a normal position. This will greatly help the tightening of the tap to the worktop.
9. Connection to the water supply is usually achieved using flexible tap connectors. **PLEASE NOTE:** To comply with water regulations, isolating valves should be fitted in the pipe work beneath the tap. This enables each supply to be independently isolated which makes it easier to service and /or remove the tap. Once all the connections are made, the mains water supply can be turned back on and the system refilled.
10. Now check for any leaks. At this stage it is recommended that the whole system be flushed to remove any foreign matter, also check the seating is free from swarf, as this will interfere with the water seal between the valve and the seating. All water heating systems may now be turned on.

Check out our full range of Kitchen Products

Kitchen Sinks

Stainless Steel Kitchen Sinks

Granite Composite Kitchen Sinks

Glass Kitchen Sinks

Ceramic Kitchen Sinks

Franke Kitchen Sinks

Kitchen Taps

Contemporary Kitchen Taps

Traditional Kitchen Taps

Franke Kitchen Taps

Pull out Rinser Kitchen Taps

Instant Boiling Water Taps

Insinkerator Waste Disposal Units

plumbworld
Big brands, small prices.