

PIPE THERMOSTATS

L6190/L641B

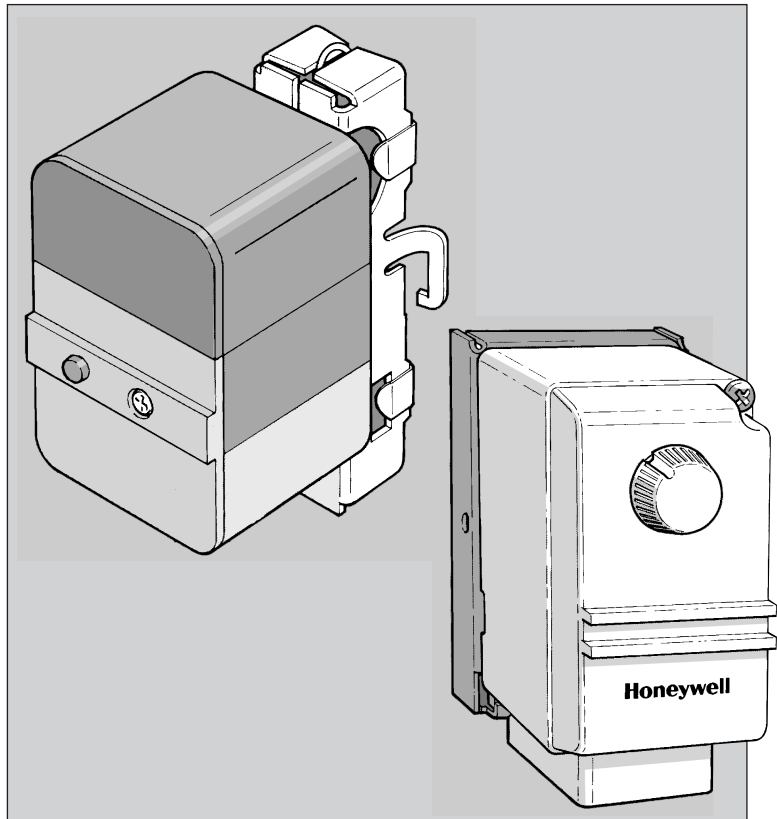
FEATURES

L6190

- Ideal for solid fuel applications
- Fast thermal response
- Surface mounted
- Large temperature range
- Double insulated
- Manual reset model
- Adjustable switching differential

L641B

- Ideal for pumped systems
- Tamperproof adjustment option
- High & low limit models
- Bi-metal strip sensor
- Surface mounted



APPLICATION

The L6190B is a Control Thermostat, which has a tamperproof concealed adjustment. The liquid filled probe means highly responsive temperature control ideal for solid fuel applications. The switch differential is adjustable.

The L6190C is a high limit Thermostat which requires manual resetting each time the contacts break on temperature rise. Typically used on unvented cylinder applications.

The L641B is a control Thermostat designed to provide high or low limit or frost protection in heating and hot water systems.

Installation

The **L6190** and **L641** can be installed horizontally or vertically. The Thermostats can be fixed to the surface of a cylinder or pipework using the mounting straps provided and do not require the system to be drained.

Ordering Specification

L6190B2030

TP Controller, setting 25 to 95°C, Diff. 4 to 10°C. With pipe strap. For solid fuel applications

L6190C2004

TP Limit, internal setting 25 to 95°C, Diff. 8°C with manual reset

L641B1004

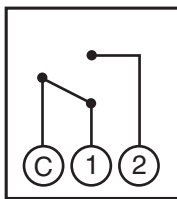
Controller, setting 10 to 40°C, min. setting 2°C. With pipe fixing springs. Used with T4360A thermostat for Frost Protection Kit

L641B1012

Controller, setting 50 to 95°C. With pipe fixing springs

TP = Tamperproof. Temperature adjustment from dial under top cover.

Wiring



Terminals C and 2 make on temperature rise.

Terminals C and 1 make on temperature fall.

Specification

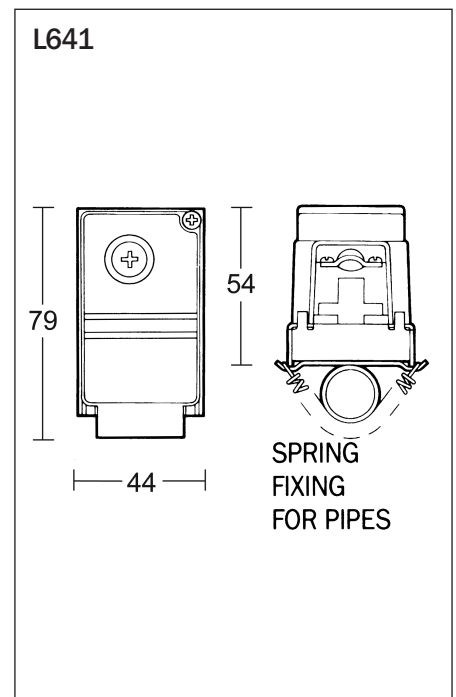
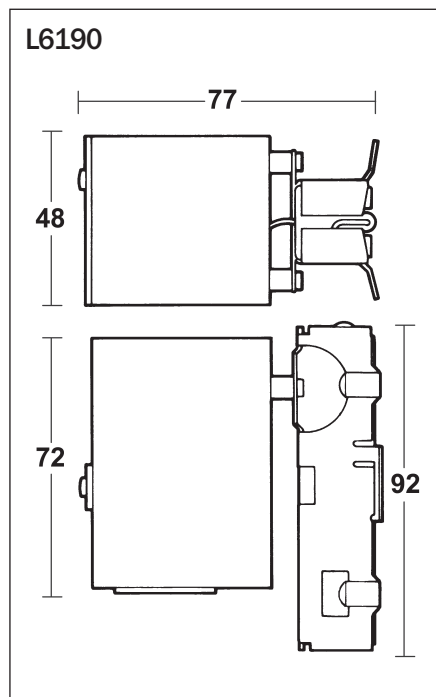
L6190B

Switch Rating	: 250VAC, 10A resistive, 2.5A inductive
Switch Type	: Single pole, double throw (SPDT)
Ambient Temperature Range	: 0 to 70°C
Surface Temperature Range	: 0 to 95°C
IP Rating	: IP40
Standards	: CE, UL, AGA, CSA
Approvals	: 73/23/EEC, DIN3440

L641B

Switch Rating	: 230VAC, 4A resistive, 2A inductive
Switch Type	: Single pole, double throw (SPDT)
Ambient Temperature Range	: 0 to 55°C
Surface Temperature Range	: 0 to 95°C
IP Rating	: IP40
Standards	: EN 60730
Approvals	: 89/336/EEC, 73/23/EEC

Dimensions (mm)



Check out our full range of Heating Products

Central Heating Controls

Honeywell Heating Controls

Danfoss Heating Controls

Radiator Valves

Fernox

Sentinel

Magnaclean

Warmup underfloor heating

Water Heaters

Hand Dryers

plumbworld
Big brands, small prices.