

The SOLOLIFT2 is the new revolutionary range of sewage and waste water domestic lifting stations from Grundfos.

The SOLOLIFT2 range represents a complete re-engineering of the traditional domestic lifting stations; giving superior reliability, increased performance and improved serviceability.

A lifting station is used to pump waste water to drain through small bore pipe work, where a gravity flow is not possible, either because of a long pipe run to the stack where the required gravity fall cannot be achieved; or where there is a static height to overcome as in a basement situation. Lifting stations can also be used where it is not possible to install 4" pipe work due to the construction or layout of the building.

Grundfos SOLOLIFT2 lifting stations enable a bathroom, on-suite, toilet facility or utility room to be created in an existing building, or in a new extension, where it would not otherwise have been possible; in a basement, a roof space, or an out building.

The five SOLOLIFT2 models cover all applications for domestic sewage and waste water removal from toilets, showers, baths, bidets, washing machines and dishwashers.

At the heart of the SOLOLIFT2 WC-1, WC-3 and CWC-3 macerator units is a professional cutter system with hardened steel blades with scissor cutting action. The cutter action cuts waste material as opposed to shredding it, and is therefore, less prone to becoming blocked by inadvertently disposed sanitary items.



The continuously rated motor (S3 operation: 30 sec on, 30 sec off) with a high starting torque characteristic, ensures the cutter does not become blocked on start up. The continuous rating of the motor also means the motor will not stop due to over temperature while operating for long periods, as with a shower.

The SOLOLIFT2 cutter is located at the bottom of the tank, waste is guided to the cutter, and being submerged the cutter does not spray the inside of the tank walls with waste. The shredder of traditional macerators deposits waste material on the tank walls, which builds up causing odours, requiring an external carbon filter and regular cleaning with chemicals to prevent odours.

All Grundfos SOLOLIFT2 units have the option of fitting an external vent pipe for use in very confined spaces if required.

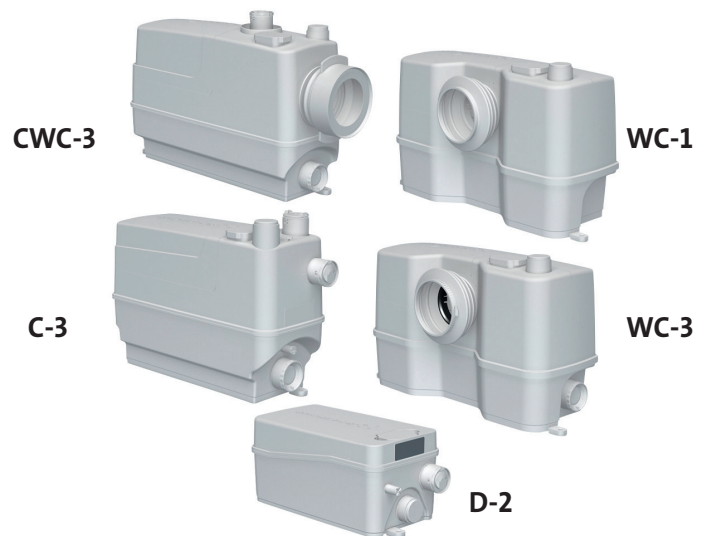
The SOLOLIFT2 C3 and D2 waste units have vortex impellers to resist fouling by long fibres.

The SOLOLIFT2 C3 is able to continuously (S3) pump hot water up to 75°C, and to 90°C for up to 30 minutes. The start level is selectable to suit low level waste outlets.

Whether for a new installation or replacing an existing unit, the SOLOLIFT2 WC and C-3 models have the option of a vertical or horizontal discharge connection as standard. The units are supplied with eccentric inlet connections to help match the position of existing inlet pipe work to minimise alterations.



The SOLOLIFT2 models can be connected to a variety of discharge pipe sizes including commonly used sizes 22mm plastic and copper, plastic 32mm and 40mm. The required adapters are included as standard for all connections.



FEATURES

- *Reliable professional cutter system*
- *Continuously rated (S3) powerful motor with high starting torque, all models*
- *Submerged cutter, for odour free operation*
- *Modular design for easy, no mess servicing*
- *Alarm module available, for high level audible indication or electrical interlocking*
- *Design in accordance with BS EN12050-3 and -2*

The unique modular design of the SOLOLIFT2 models ensures that servicing of the units can generally be achieved in situ without mess or having to drain down. This includes replacement of the complete motor/cutter assembly, and the pressure level switch.



Servicing of the unit is possible in less than ten minutes.

All units are supplied with a 1.2m mains electricity cable.

ACCESSORIES

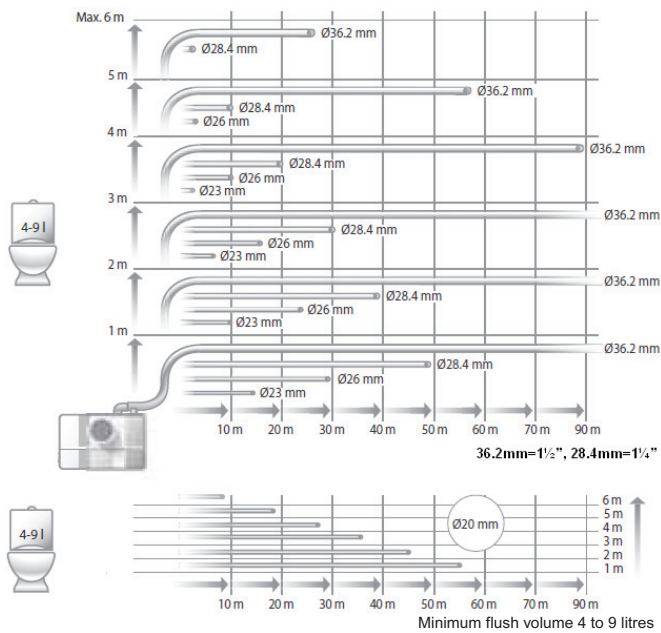
- Audible high level plug-in alarm (p/n 97772315) option for SOLOLIFT2 WC-1, WC-3 and CWC-3 models.
- All SOLOLIFT2 models feature a drain connection; a drain hose with stopper (p/n 97789093) is available to be fitted during installation, should it be necessary to drain down during service. The hose is included with the SOLOLIFT2 CWC-3, C-3 and D-2.
- A flexible 500mm discharge pipe (p/n 97772316) is available for all SOLOLIFT2 models as an accessory, when replacing an existing unit, to assist connecting the outlet to existing pipe work.

SELECTION CHART

Sololift2	WC-1	WC-3	CWC-3	C-3	D-2
Toilet	●	●	●	●	●
Wall Hung Toilet			●		
Urinal	●	●	●	●	●
Basin	●	●	●	●	●
Bidet	●	●	●	●	●
Shower	●	●	●	●	●
Bath	●	●	●	●	●
Washing Machine				●	
Dish Washer				●	
Sink				●	

PUMPING DISTANCES

SOLOLIFT2 WC-1, WC-3 & CWC-3



SOLOLIFT C-3

Pipe Size	l/s	6m	5m	4m	3m	2m	1m
40mm	1.0	9	31	53	76	98	120
32mm	0.5	30	54	78	102	126	150
32mm	1.0	-	2.5	9	16	23	30
22mm	0.5	-	2	6.5	12	16	20

SOLOLIFT D-2

Pipe Size	l/s	4m	3m	2m	1m
32mm	0.5	-	24	47	71
32mm	1.0	-	-	3	10
22mm	0.25	6	22	37	52

Discharge flow rate Vertical lift Pumping distance (m)

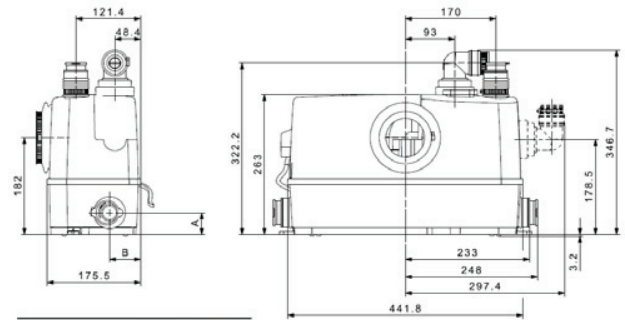
TECHNICAL DATA

SOLOLIFT2 Models	Start (mm)	Stop (mm)	Max Liquid Temp	Motor Power
WC-1	72	52	50°C	620 W
WC-3	72	52	50°C	620 W
CWC-3	72	52	50°C	620 W
C-3	65 / 115	35	75°C / 90°C*	640 W
D-2	58	35	50°C	280 W

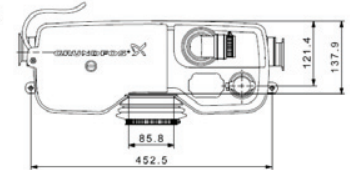
*90°C for 30 minutes

DIMENSIONS (mm)

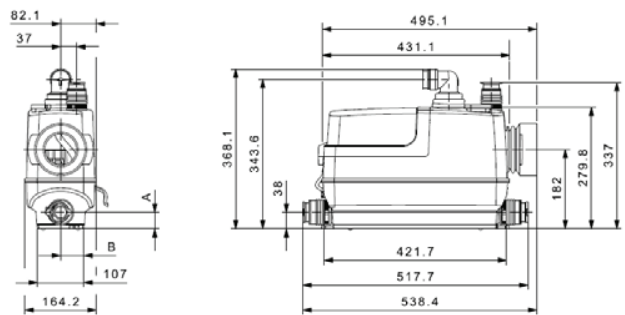
SOLOLIFT2 WC-1 (without side connections), and WC-3



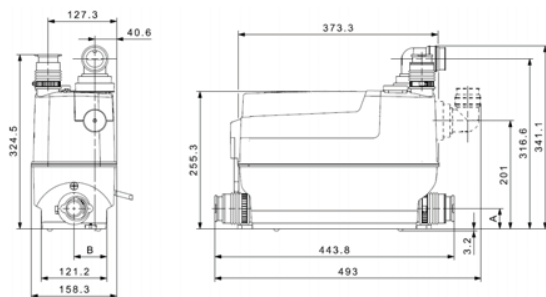
Pipe diameter	Type	A [mm]		B [mm]	
		Min.	Max.	Min.	Max.
22/40	Eccentric	36	40	53	63



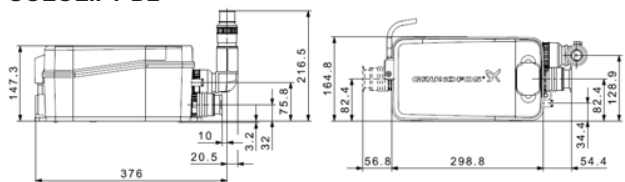
SOLOLIFT2 CWC-3



SOLOLIFT2 C-3



SOLOLIFT D2



PRODUCT CODES

SOLOLIFT2 Models	Product Code
WC-1	97775329
WC-3	97775330
CWC-3	97775331
C-3	97775332
D-2	97775333

Ref: SOLOLIFT2/SL/DBS/0511
Rev: 3.42

Check out our full range of macerators

Saniflo Macerators

Flo-Force Macerators

Stuart Turner Macerators

Grundfos Macerators

Don't Forget These Macerator Accessories from Saniflo

Saniflo Sani Alarm

Saniflo Descaler

plumbworld
Big brands, small prices.