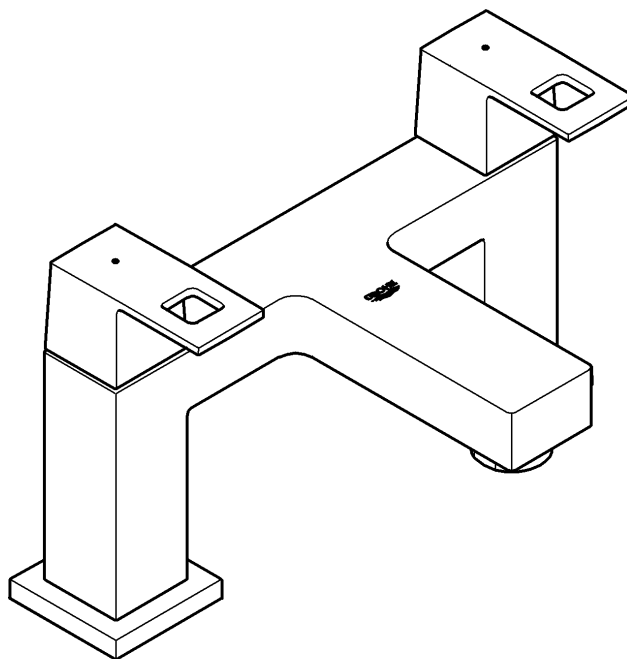
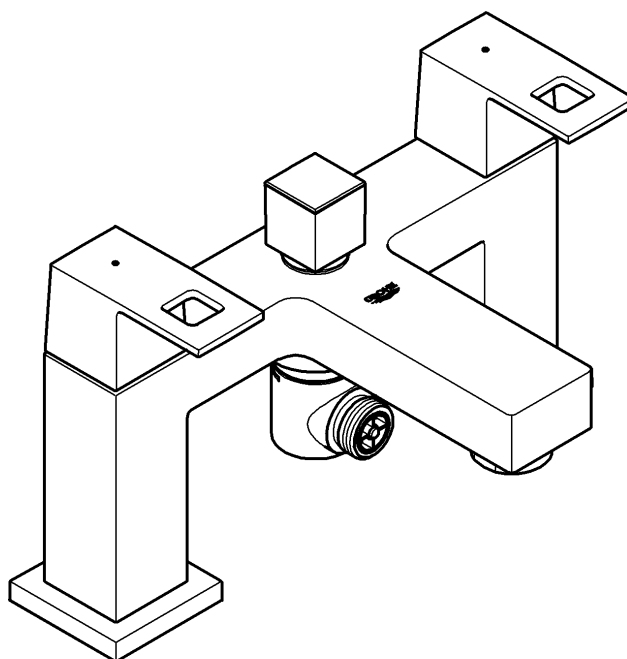


25 136



25 137



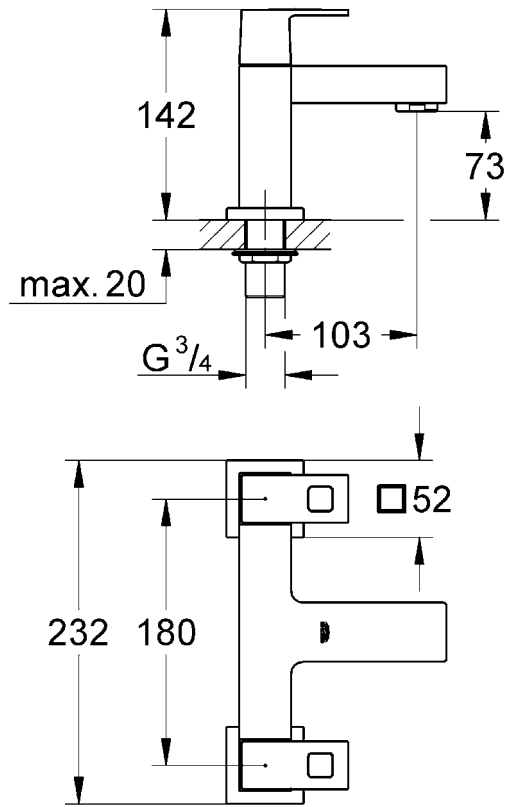
Eurocube

Design & Quality Engineering GROHE Germany

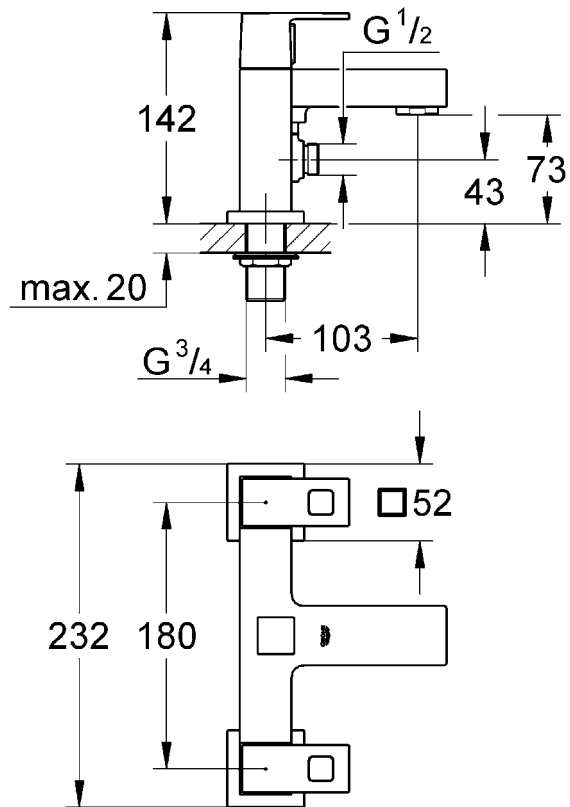
99.0182.031/ÄM 229335/10.13



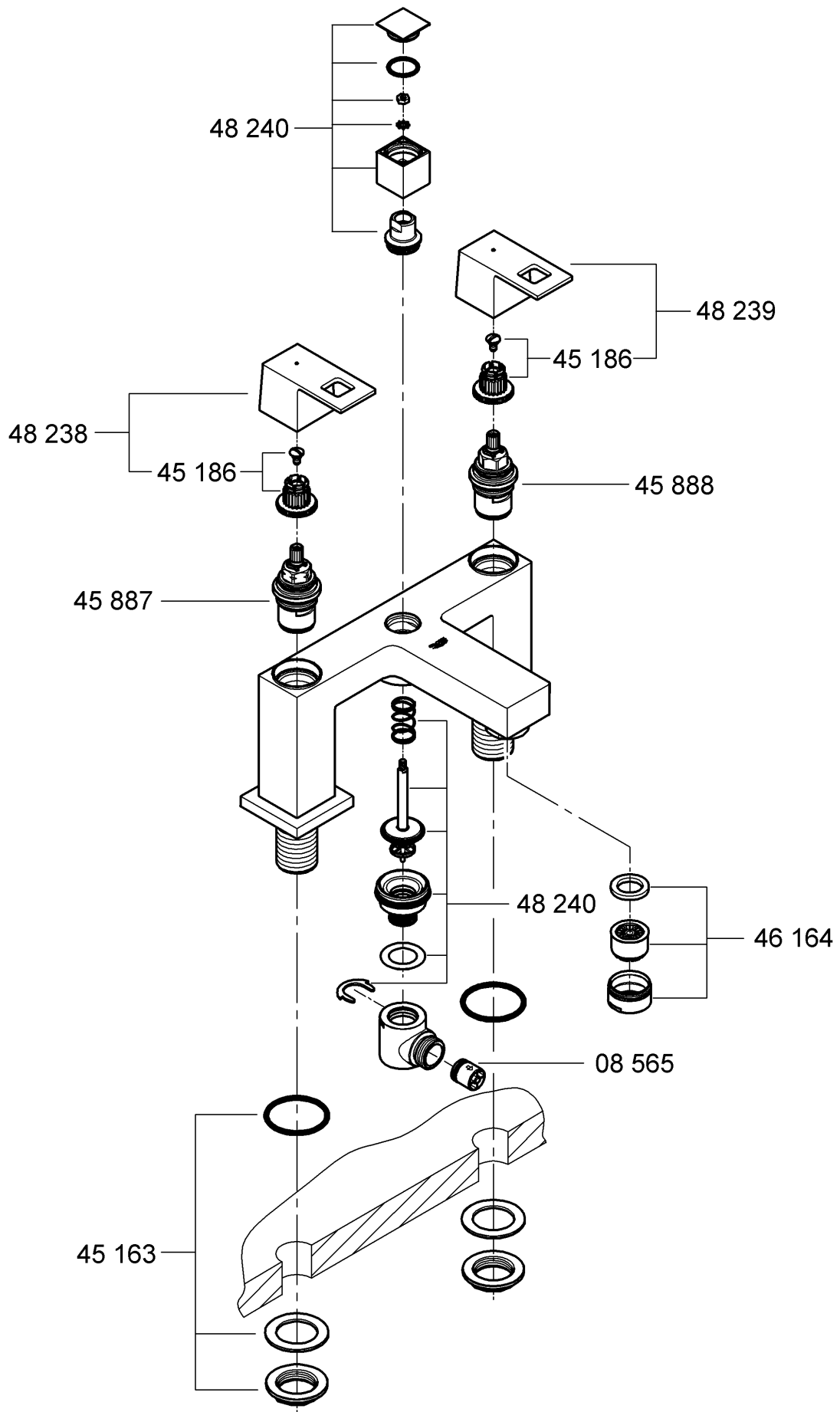
25 136



25 137



Please pass these instructions on to the end user of the fitting!





Application

Can be used in conjunction with: Pressurised storage heaters, thermally and hydraulically controlled instantaneous heaters. Operation with low-pressure displacement water heaters is **not** possible.

Specifications

- Minimum flow pressure 0.1 bar
- Maximum operating pressure 10 bar
- Test pressure 16 bar

If static pressure is greater than 5 bar, fit pressure reducer.

Avoid major pressure differences between cold and hot water supply.

- Flow rate at 0.1 bar flow pressure with flow straightener:
approx. 15 l/min
- Temperature
 - Hot water inlet (maximum): 80 °C
 - Recommended (energy saving): 60 °C
- Water connection
 - cold - right
 - hot - left

New Water Regulations

This GROHE fitting with shower is equipped with single non-return valve. Please ensure installation complies with New Water Regulations covering backflow protection. It must also be installed in accordance with local bye-law requirements.

Installation

Flush piping system prior and after installation of fitting thoroughly (Consider EN 806)!

Bathtub rim mounting

Use mounting set to install the fitting, see fold-out page III, Fig. [1].

Refer to the dimensional drawings on fold-out page I.

The cold water supply must be connected on the right and the hot water supply on the left.

Open cold- and hot water supply and check connections for watertightness!

Check fitting for correct function, see Fig. [2].

Function of automatic diverter (A), see Fig. [3].

Turning the handle will release water delivery.

Water will emerge from the bath outlet first.

Pull diverter knob = to divert flow from bath outlet to shower outlet

Flow is diverted automatically from shower outlet to bath outlet when the fitting is closed.

Maintenance

Inspect and clean all parts, replace if necessary and grease with special grease.

Shut off cold and hot water supply!

I. Ceramic cartridge, see fold-out page III, Fig. [4].

1. Pull off handle (B).
2. Unscrew screw (C) and pull off snap insert (D).
3. Unscrew ceramic cartridge (E) using a 17mm socket wrench.
4. Change complete ceramic cartridge (E).

Observe the different replacement part numbers of the ceramic cartridges.

Assemble in reverse order.

II. Diverter assembly, see fold-out page III, Fig. [5].

1. Lever out cap (F).
2. With 7mm socket spanner, unscrew and remove nut (G).
3. Pull off diverter knob (H) and unscrew cap (J).
4. Remove circlip (K) and pull off connection nipple (L) with seal (M).
5. With 10mm Allen key, remove outlet nipple (N).
6. Remove spindle (O) with spring (P).

Assemble in reverse order.

III. Non-return valve, see fold-out page III, Fig. [5].

Pull out non-return valve (R).

Assemble in reverse order.

IV. Flow straightener, see fold-out page II.

Unscrew and clean flow straightener (46 164).

Assemble in reverse order.

Replacement parts, see fold-out page II (* = special accessories).

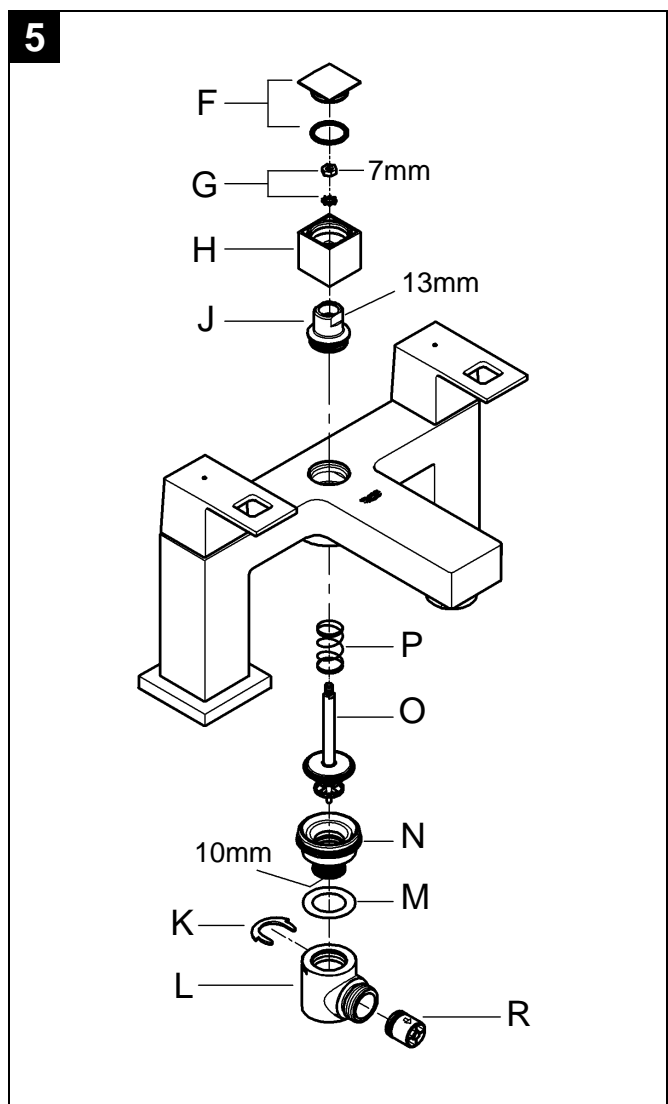
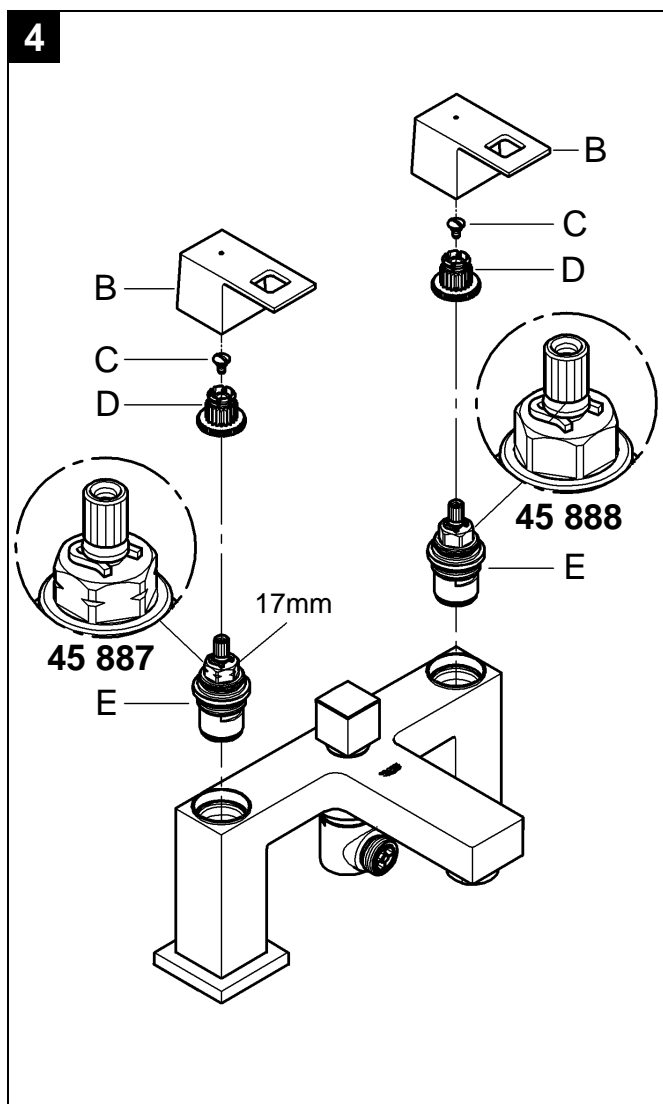
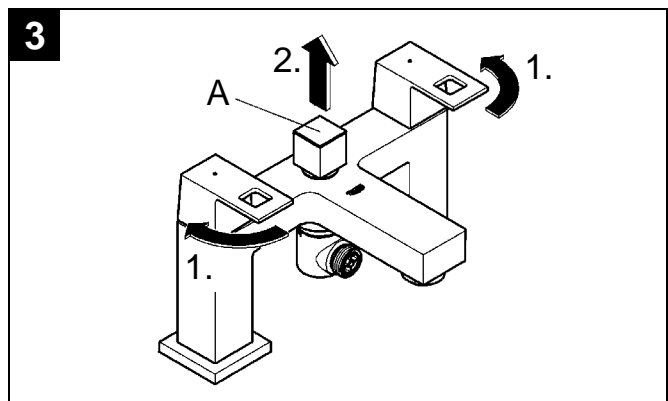
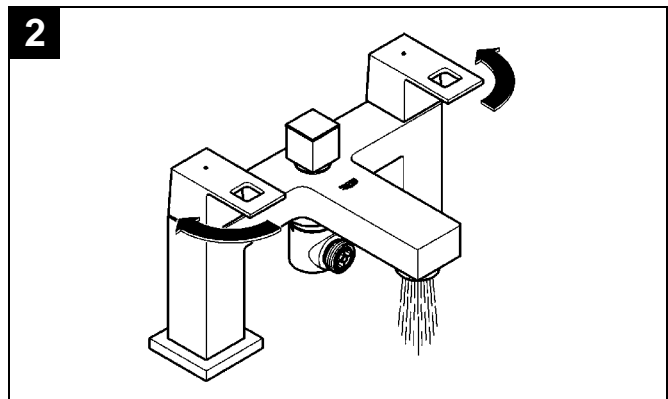
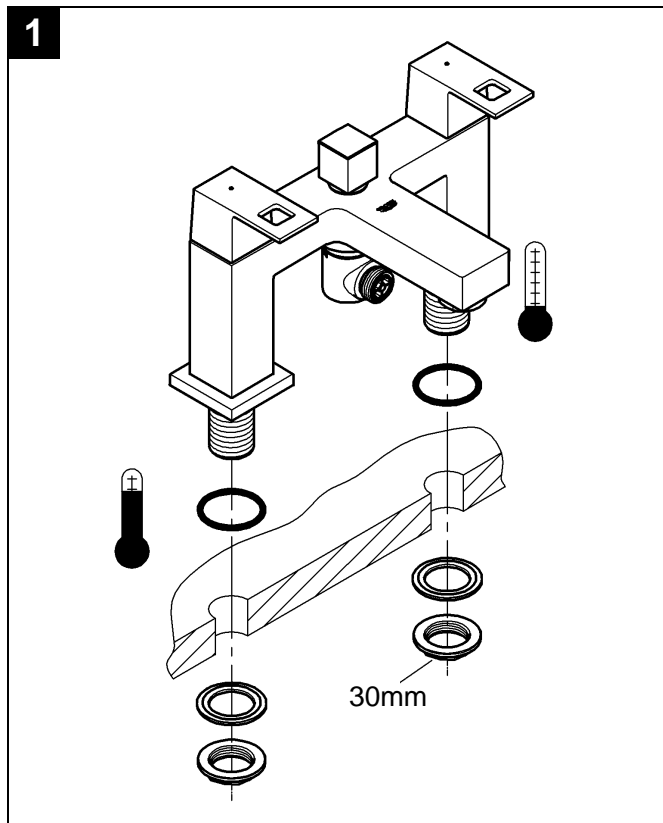
Care

Dear Customer,

We want to ensure that you get long-lasting satisfaction and pleasure from your GROHE fitting. Therefore, please read the following care instructions because damage to the surface and underlying material resulting from improper treatment is not covered by warranty.

Do not use any abrasive sponges or scouring agents for cleaning. We also advise you not to use cleaning agents containing solvent or acid, limescale removers, household vinegar and cleaning agents with acetic acid in them. They are aggressive to the surface - and will leave your fitting dull and scratched. As the formulations of commercially available cleaning agents frequently change, we cannot guarantee they will provide the gentle care our fitting deserves.

Clean the fitting with a little soap and a moist cloth only, then simply rinse off and wipe dry. You can avoid lime spots by drying the fitting each time it is used. If lime deposits do occur, remove them with **GrohClean**, our environment-friendly cleaning liquid. **GrohClean** is specially formulated to clean the surface of our fittings gently. **GrohClean** is available from your supplier.



D
☎ +49 571 3989 333
impressum@grohe.de

A
☎ +43 1 68060
info-at@grohe.com

AUS
Argent Sydney
☎ +(02) 8394 5800
Argent Melbourne
☎ +(03) 9682 1231

B
☎ +32 16 230660
info.be@grohe.com

BG
☎ +359 2 9719959
grohe-bulgaria@grohe.com

CAU
☎ +99 412 497 09 74
info-az@grohe.com

CDN
☎ +1 888 6447643
info@grohe.ca

CH
☎ +41 448777300
info@grohe.ch

CN
☎ +86 21 63758878

CY
☎ +357 22 465200
info@grome.com

CZ
☎ +420 277 004 190
grohe-cz@grohe.com

DK
☎ +45 44 656800
grohe@grohe.dk

E
☎ +34 93 3368850
grohe@grohe.es

EST
☎ +372 6616354
grohe@grohe.ee

F
☎ +33 1 49972900
marketing-fr@grohe.com

FIN
☎ +358 10 8201100
teknocalor@teknocalor.fi

GB
☎ +44 871 200 3414
info-uk@grohe.com

GR
☎ +30 210 2712908
nsapountzis@ath.forthnet.gr

H
☎ +36 1 2388045
info-hu@grohe.com

HK
☎ +852 2969 7067
info@grohe.hk

I
☎ +39 2 959401
info-it@grohe.com

IND
☎ +91 124 4933000
customer-care.in@grohe.com

IS
☎ +354 515 4000
jonst@byko.is

J
☎ +81 3 32989730
info@grohe.co.jp

KZ
☎ +7 727 311 07 39
info-cac@grohe.com

LT
☎ +372 6616354
grohe@grohe.ee

LV
☎ +372 6616354
grohe@grohe.ee

MAL
☎ +1 800 80 6570
info-singapore@grohe.com

N
☎ +47 22 072070
grohe@grohe.no

NL
☎ +31 79 3680133
vragen-nl@grohe.com

NZ
☎ +09/373 4324

P
☎ +351 234 529620
commercial-pt@grohe.com

PL
☎ +48 22 5432640
buiro@grohe.com.pl

RI
☎ +62 21 2358 4751
info-singapore@grohe.com

RO
☎ +40 21 2125050
info-ro@grohe.com

ROK
☎ +82 2 559 0790
info-singapore@grohe.com

RP
☎ +63 2 8041617

RUS
☎ +7 495 9819510
info@grohe.ru

S
☎ +46 771 141314
grohe@grohe.se

SGP
☎ +65 6 7385585
info-singapore@grohe.com

SK
☎ +420 277 004 190
grohe-cz@grohe.com

T
☎ +66 2610 3685
info-singapore@grohe.com

TR
☎ +90 216 441 23 70
GroheTurkey@grome.com

UA
☎ +38 44 5375273
info-ua@grohe.com

USA
☎ +1 800 4447643
us-customerservice@grohe.com

VN
☎ +84 8 5413 6840
info-singapore@grohe.com

AL **BiH** **HR** **KS**
ME **MK** **SLO** **SRB**
☎ +385 1 2911470
adria-hr@grohe.com

**Eastern Mediterranean,
Middle East - Africa
Area Sales Office:**
☎ +357 22 465200
info@grome.com

IR **OM** **UAE** **YEM**
☎ +971 4 3318070
grohedubai@grome.com

Far East Area Sales Office:
☎ +65 6311 3600
info@grohe.com.sg

Check out our full range of Bathroom Taps

Contemporary Bathroom Taps

Traditional Bathroom Taps

Waterfall Bathroom Taps

Basin Taps

Bath Taps

Bidet Taps

Luxury Mira Aspects Taps

Mira Honesty

Mira Evolve

Mira Precision

Mira Comfort

Mira Revive

Mira Fluency

Don't forget these amazing tap cleaning and care products

Cramer Tap Cleaner

Cramer Chrom Star Chrome Polish

plumbworld
Big brands, small prices.