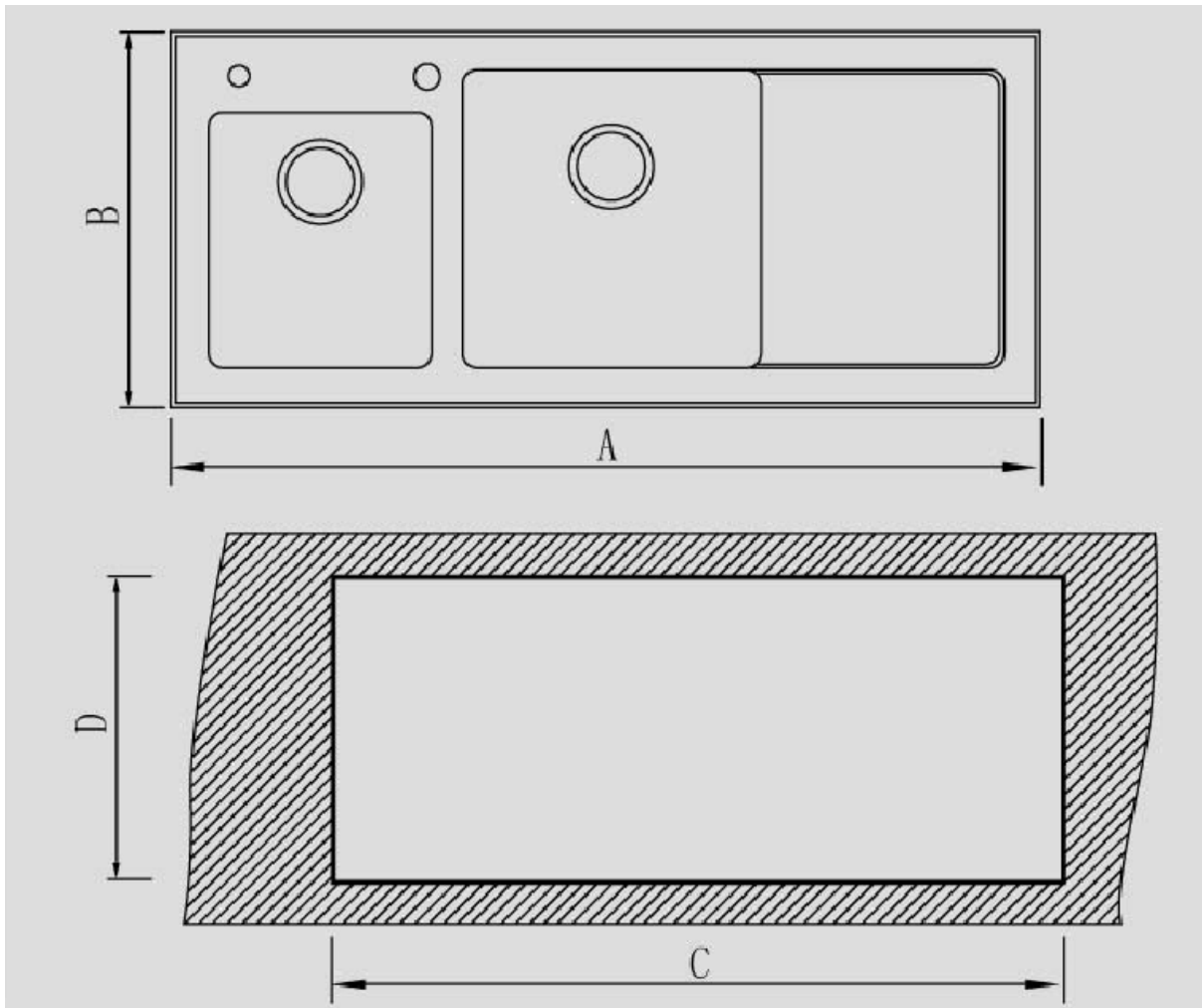


INSTALLATION GUIDE

Sauber 1.0/1.5 Bowl Glass Surround Sink



Overview of Measurements:



A: Length of sink

C: Length of worktop hole required

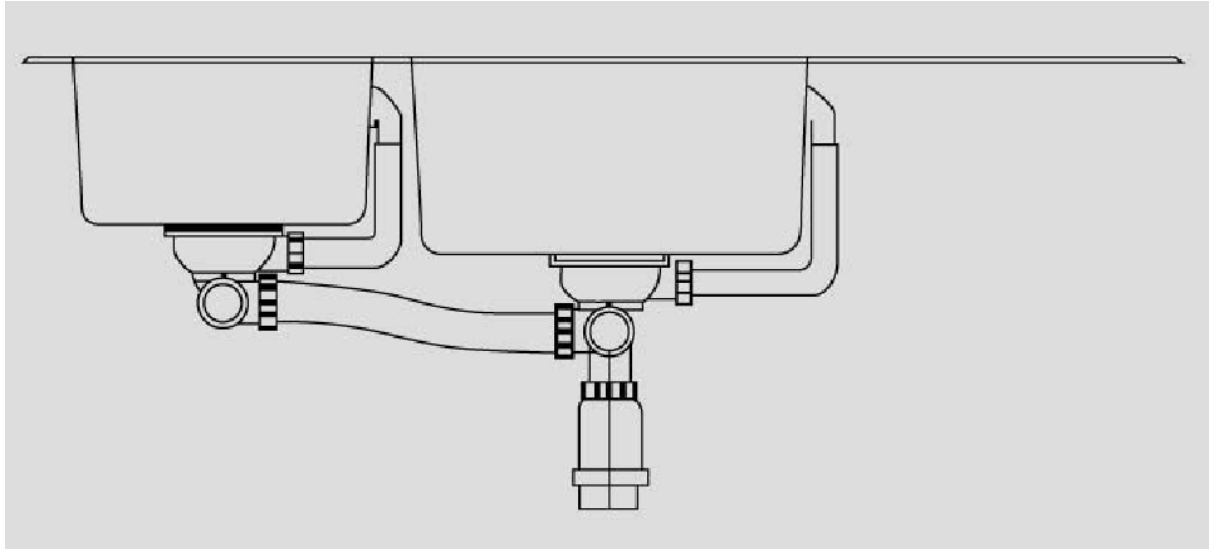
B: Width of sink

D: Width of worktop hole required

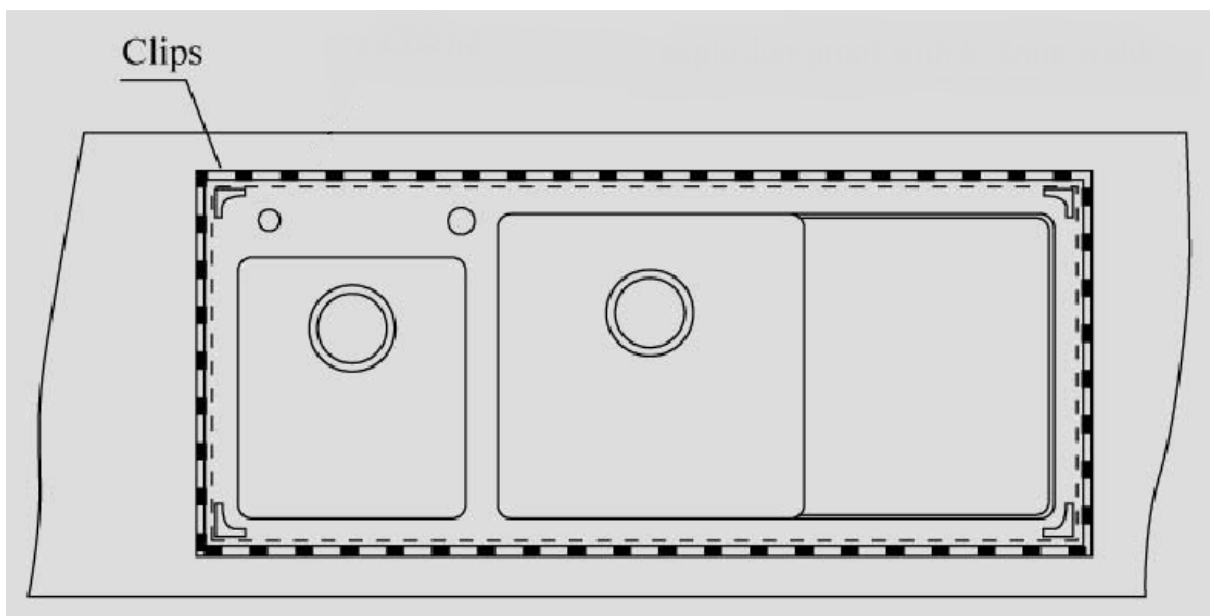
A (mm)	B (mm)	C (mm)	D (mm)
860	500	830	470
1000	500	970	470
1160	500	1130	470

READ INSTRUCTIONS FULLY BEFORE ATTEMPTING INSTALL

1. Install the waste/drainage as shown:

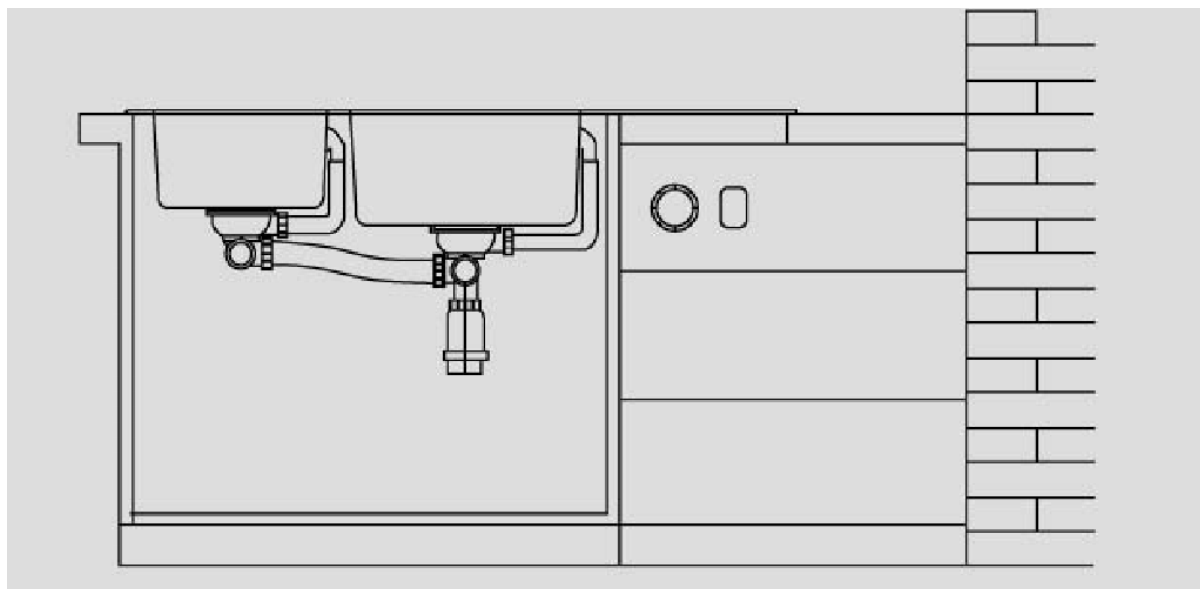


2. Use the 4 clips on the underneath of the sink to fix the product into the hole cut in the work surface according to the dimensions seen in the table above:



Note: use 6-8mm sealant around the outer edge of the sink to stop leaks.

3. Ensure a tight fit and seal between the sink and the surface it is fitted to. Follow manufacturer's guidelines for appropriate time to leave sealant to dry. Once this is complete the sink can be used.



SINK USAGE:

For everyday cleaning of the sink use household detergents suitable for use with stainless steel. After every use of the sink rinse clean with warm water then dry with a soft cloth.

PRODUCT WARNINGS:

- Do not use wire wool to clean.
- Do not use bleaches or any substances containing any form of **chlorine**.
- Contact with acidic substances will cause **rapid oxidation** of the steel. Always dry the sink after usage.
- Avoid scraping the surface of the sink or draining board with utensils.
- Avoid dropping heavy or sharp objects into the sink.

Check out our full range of Kitchen Products

Kitchen Sinks

Stainless Steel Kitchen Sinks

Granite Composite Kitchen Sinks

Glass Kitchen Sinks

Ceramic Kitchen Sinks

Franke Kitchen Sinks

Kitchen Taps

Contemporary Kitchen Taps

Traditional Kitchen Taps

Franke Kitchen Taps

Pull out Rinser Kitchen Taps

Instant Boiling Water Taps

Insinkerator Waste Disposal Units

plumbworld
Big brands, small prices.