



Thank you for purchasing this Croydex product. Please follow the fixing and care instructions to ensure your cabinet is fitted safely and retains its high quality finish. **Please retain this leaflet for future reference.**

This instruction leaflet applies to the following products:

WC266205E – Shire Stainless Steel 2 Door Illuminated Cabinet
WC266222E – Shire White 2 Door Illuminated Cabinet

IMPORTANT INSTALLATION INFORMATION

THIS IS A CLASS 1 APPLIANCE AND MUST BE CONNECTED TO EARTH 

INPUT: 220-240V ac 5A IP RATING: IP24

 HAZARDOUS VOLTAGES INSIDE – DO NOT REMOVE ANY COVERS 

LAMP TYPE 12V G4 HALOGEN 20W. MAXIMUM TOTAL PER CABINET = 40W

In accordance with Statutory Instrument 2004 No. 3210 - The Building (Amendment) (No.3) Regulations 2004, any work, other than repair/replacements, in a room where there is water (e.g. kitchen, bathroom, etc.) must be either:

- carried out by an electrician who is a member of a competent person self-certification scheme who will certify the work complies with the Building Regulations and you do not need to notify your local authority, or,
- carried out after prior notification to the Local Authority Building Control Department, which has responsibility for ensuring that the work is inspected and tested.

IMPORTANT WARRANTY INFORMATION

In accordance with Statutory Instrument 2004 No. 3210 - The Building (Amendment) (No.3) Regulations 2004, the installer must give the occupier of the premises in which this product has been installed a certificate to confirm that the requirements of regulations 4 and 7 have been satisfied, or the installation of this product must be inspected and tested by the Local Authority Building Control Department who will issue a compliance certificate.

A copy of this certificate may be required for certain warranty claims. Failure to provide a copy of the certificate may invalidate the warranty.

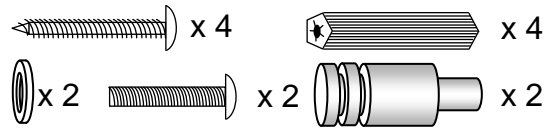
This does not affect your statutory rights

We recommend that you make yourself aware of the Regulations before you undertake any work and if you require clarification you should contact your Local Authority Building Control Department.

Fixing Pack Contents

Fixing Pack Contents

4 x Mounting Screws, 4 x Wall Plugs
2 x Plastic Washers, 2 x Door Knob Screws,
2 x Door Knobs



Tools Required

Drill; 6.5mm masonry drill bit (6.5mm ceramic drill bit optional); Cross head screwdriver; Pencil; Spirit level

KEEP DIY TOOLS OUT OF THE REACH OF CHILDREN

Home Safety Advice

It is recommended that two people fit the cabinet to ensure that it is fitted safely.

Always take care when using an electric drill, particularly in the bathroom. Always check for hidden cables and pipework before drilling and take extreme care if there is any water in the working area.

It is advisable to use a residual current circuit breaker (RCCB).

Always wear suitable eye protection when drilling.

If the product is to be fitted on a ceramic tiled wall, a ceramic drill bit should be used. Always ensure that the drill hole passes through the central tiled area rather than through the grouted area. To prevent surface damage to the tile, mask the area around the hole with tape before drilling.

Do not strike the product with hard or sharp objects.

Do not overload the cabinet. Maximum safe working load is 15kg evenly distributed if mounted on to a solid wall. If mounted on to a cavity wall reduce the load to 10kg evenly distributed.

Fixing Instructions

Positioning the Cabinet

1. This cabinet is rated IP24 and must only be installed with all electrical connections and components in the Outside Zone, shown below in Fig 1.

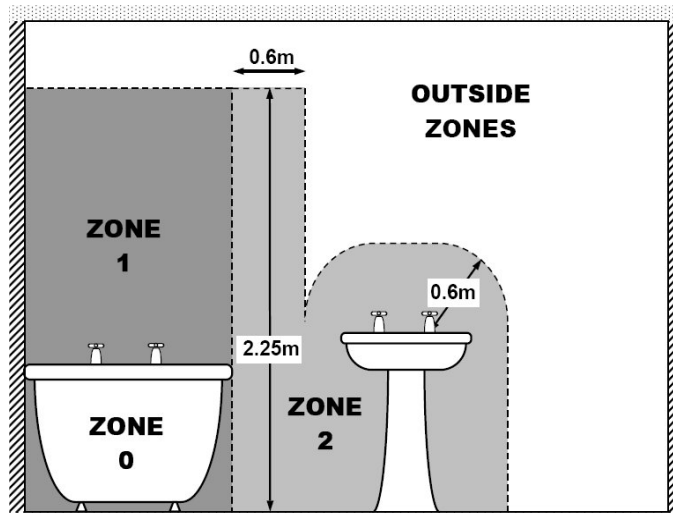


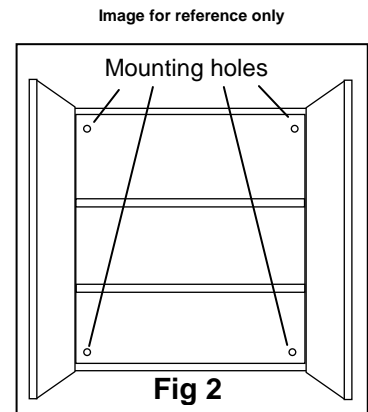
Fig 1

Hanging the Cabinet

Note: The wall plugs supplied are for use on solid walls only. For cavity walls or plasterboard use specialist fixings that are available from all good DIY stores.

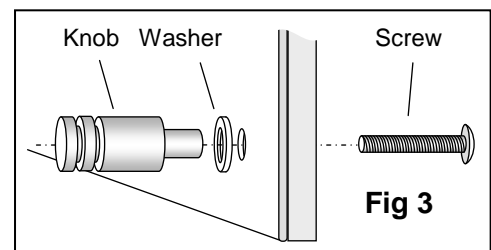
Fixing Instructions

1. Hold the cabinet against the wall in its desired location. Check that the cabinet is straight and level using a spirit level. Open the doors and mark the wall through the holes in the back of the cabinet with a pencil (see Fig 2).
2. Using a 6.5mm masonry drill, drill the holes in the marked positions to a depth of 26mm and insert the wall plugs into the holes in the wall.
3. Hold the cabinet against the wall and align the holes in the back of the cabinet with the wall plugs. Insert the mounting screws through the holes in the back of the cabinet and screw into the wall plugs.



4. **Ensure that the domestic electrical mains supply to which the cabinet is to be connected is turned off.** Connect the flexible mains supply cable on the top of the cabinet to the domestic electrical mains supply ensuring that the Live (Brown) conductor is connected to the Live on the domestic electrical mains supply, the Neutral (Blue) conductor is connected to the Neutral on the domestic electrical mains supply and the Earth (Yellow/Green) conductor is connected to the Earth/Ground on the domestic electrical mains supply. **Note: connection of the product to the domestic electrical mains supply must only be carried out by a Building Regulations Part P certified electrician or must be checked by your Local Authority Building Control Department.**

5. Position a plastic washer over the end of each door knob and insert the end of each door knob into the holes on the mirrored side of the doors. Secure the door knobs in place using the door knob screws – DO NOT over-tighten the screws (see Fig 3).



Shaver Supply Unit

Note: The shaver supply unit is suitable for use with electric toothbrushes, razors and similar low power appliances only.

Operating Instructions

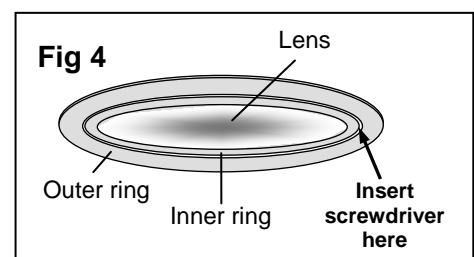
Cabinet Lights

To turn the cabinet lights on or off simply use the switch located on the shaver and lighting unit situated inside the cabinet.

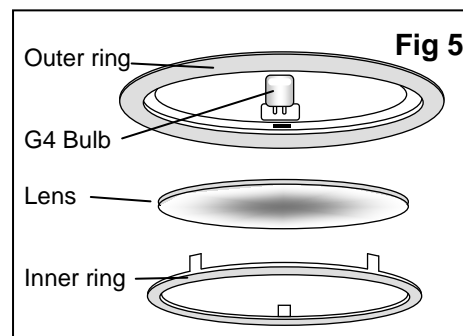
Bulb Replacement

CAUTION: The bulb may become extremely hot. Allow at least 30 minutes after bulb failure before attempting to replace the bulb.

1. Carefully remove the inner ring and lens from the lampholder using a small flat screwdriver inserted between the outer and inner rings (see Fig 4).
2. Carefully remove the failed G4 halogen bulb from the lampholder (see Fig 4) then insert the pins on the replacement G4 halogen bulb into the holes in the



3. lampholder (see Fig 5). **Avoid touching the glass surface of the bulb with bare skin as this may reduce the life of the bulb. Only use 12V 10W G4 Halogen bulbs.**
4. Carefully insert the glass lens into the inner ring and align the three clips on the inner ring with the slots in the lampholder. Gently press around the inner ring until it is flush with the outer ring (see Fig 4). **Avoid using excessive force as this may damage the lens or cause injury.**
5. **Please dispose of failed bulbs through appropriate waste collection facilities.**



Product Care

To retain the best quality finish, clean product regularly with a soft cloth and mild detergents. Do not use abrasive or chemical cleaners as these will damage the product.

Do not position glass components in close contact with a heat source.

Do not strike glass with hard or sharp objects.



This product complies with the requirements of

- European Parliament/Council Directive 73/23/EC the Low Voltage Directive amended by European Parliament/Council Directive 93/68/EEC.
- European Parliament/Council Directive 89/336/EEC on electromagnetic compatibility (EMC Directive) amended by 91/263/EEC, 92/31/EEC and 93/68/EEC.

Applicable Standards with amendments:

- BS EN 55-015
- BS EN 61547
- BS EN 60355-1
- BS EN 60598-2-1
- BS EN 61558-2-5

For details of the other items in the Croydex range please visit our website: www.croydex.com

Croydex Limited, Central Way, Andover, Hants, SP10 5AW, UK

Tel: +44 (0) 1264 365881. Fax: +44 (0) 1264 356437

Website: www.croydex.com E-mail: info@croydex.co.uk

To the European Parliament and Council Directive 2011/65/EU of 8 June 2011 on the restriction of the use of certain hazardous substances in electrical and electronic equipment (recast) (RoHS Directive)

1. *Description of product:-*

Name: **Illuminated Bathroom Cabinet**
Part No. **WC266205E, WC266222E**

2. *Directives complied with:-*

European Council Directive 2011/65/EU of 8 June 2011 on the restriction of the use of certain hazardous substances in electrical and electronic equipment (recast)
Annex VI EU Declaration of Conformity

3. *Declaration*

It is hereby certified that the concentration by weight, of the restricted substances in the homogenous material(s) in the product(s) described above at section 1 do not exceed the maximum allowed concentrations listed in European Council Directive 2011/65/EU Annex II Restricted substances referred to in Article 4(1) and maximum concentration values tolerated by weight in homogeneous materials, as detailed below:

Substance	Concentration
Lead	0.1%
Mercury	0.1%
Cadmium	0.01%
Hexavalent Chromium	0.1%
PBB (Polybrominated Biphenyls)	0.1%
PBDE (Polybrominated Diphenyl Ethers)	0.1%

For and on behalf of CROYDEX LTD.



P. Pegden
Product and Procurement Director
Date: 23-01-2013

To the Low Voltage Directive (LVD) 2006/95/EC and Electromagnetic Compatibility (EMC) Directive 2004/108/EC

1. *Description of product:-*

Name: **Illuminated Bathroom Cabinet**
Part No. **WC266205E, WC266222E**

2. *Directives complied with:-*

European Council Directive 2006/95/EC of 12 December 2006 on the harmonisation of the laws of Member States relating to electrical equipment designed for use within certain voltage limits, Annex III CE Conformity Marking and EC Declaration of Conformity.

European Council Directive 2004/108/EC of 15 December 2004 on the approximation of the laws of the Member States relating to electromagnetic compatibility and repealing Directive 89/336/EEC, Annex IV Technical Documentation and EC Declaration of Conformity.

3. *Declaration*

The construction of the product(s) listed above in section 1 is in accordance with the following harmonised standards:

LVD

EN 60335-1,
BS EN 61558-1
BS EN 61558-2-5

EMC

Emissions: BS EN 55015
Immunity: BS EN 61547

For and on behalf of CROYDEX LTD.



P. Pegden
Product and Procurement Director
Date: 27-09-2012

Check out our full range of Bathroom Furniture

Wide Range of Colours

White Bathroom Furniture / White Gloss Bathroom Furniture

Grey Bathroom Furniture

Black Bathroom Furniture

Walnut Bathroom Furniture

Wide Range of Styles

Bathroom Vanity Units

Bathroom Cabinets

Basin & Toilet Furniture Units

Traditional Bathroom Furniture

Bathroom Drawers

Tall Bathroom Units

Radiator Covers / Radiator Cabinets

plumbworld
Big brands, small prices.