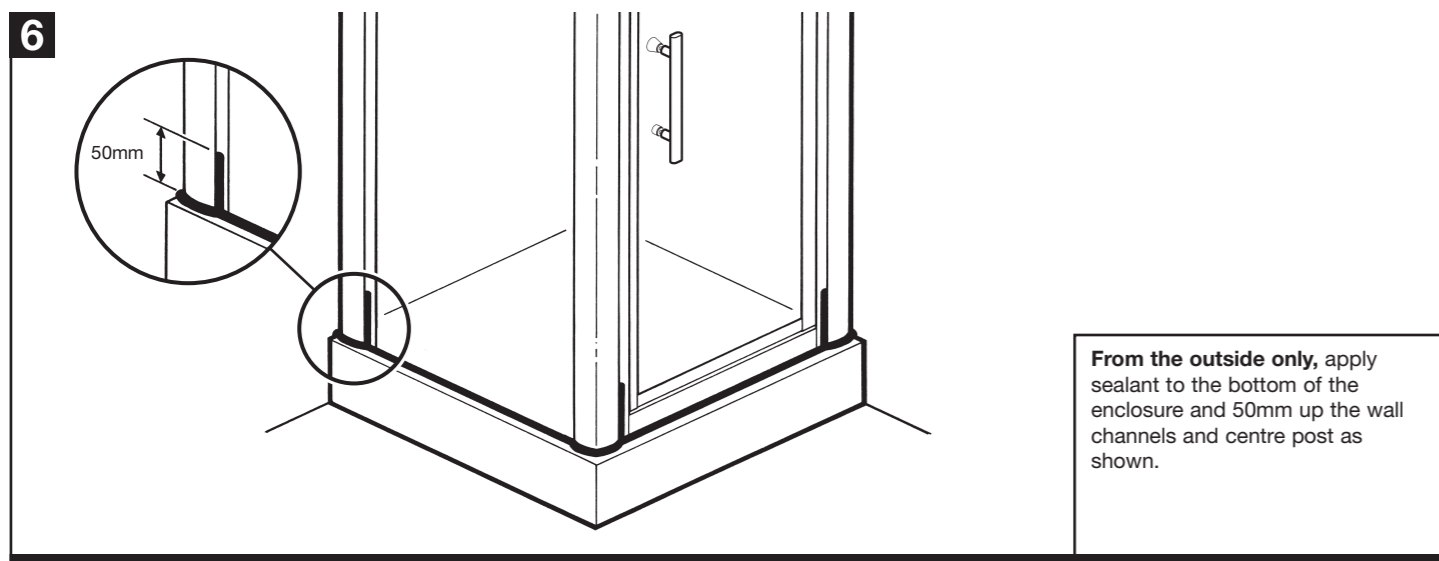


Push-fit the top caps onto the wall channels and corner post.



Recycling

Packaging:- The cardboard and polythene parts of this packaging can be recycled.

End of life:- This product contains materials such as aluminium and glass which can be recycled. Please contact your local authority to find your nearest recycling centre.

IMPORTANT: You must not use the shower for 24 hours after installation of the enclosure.

DO NOT use bleach, scouring powders, solvents or other aggressive cleaning agents. To clean, use warm soapy water and a clean cloth and rinse off.

Please note: There has been a glass coating applied to this product, use a squeegee to remove water and debris. Periodically check all fixings and tighten if necessary.

OPTIMA SIDE PANEL

DIMENSIONS

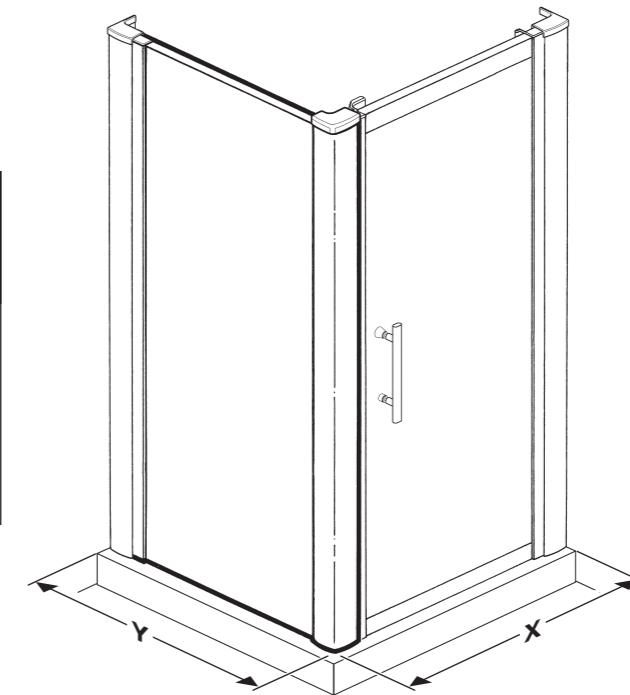
Check the enclosure size in the table below matches the showertray installation.

700 Panel Y = 670 - 695mm

760 Panel Y = 735 - 760mm

800 Panel Y = 775 - 800mm

900 Panel Y = 875 - 900mm



DIMENSIONS

Check the enclosure size in the table below matches the showertray installation.

700 Door X = 653 - 703mm

760 Door X = 713 - 763mm

800 Door X = 753 - 803mm

900 Door X = 853 - 903mm

1000 Door X = 953 - 1003mm

Please read these instructions carefully and keep for future reference. Incorrect fitting will invalidate the guarantee.

SAFETY

- Handle glass with great care. Although the glass is very tough, sharp impacts can damage both the glass and metal frame.
- Make sure there are no hidden pipes or cables hidden in the wall where you intend to drill.
- Wear safety goggles, shoes and appropriate clothing.

BEFORE INSTALLATION

- Check that the shower tray is level in all directions. The enclosure will not sit correctly on an uneven surface. If uneven, the wall channels may not fit and the doors may not shut correctly.
- The enclosure should be fitted on tiled walls which are sealed with waterproof grout.
- There must be a good silicone seal between the rim of the shower tray and the wall.
- The shower tray and the enclosure must match in size. Attempting to fit the incorrect size of enclosure to the shower tray will result in water leaks.
- Always check very carefully that components are vertical.
- To avoid damage, use the opened out packaging to build the enclosure on.

Equipment needed:

Drill, 6.5mm Masonry Bit, 4.5mm & 3mm Metal Bits (general), Crosshead Screwdriver, Spirit Level, Pencil, Tape Measure, Masking Tape, Silicone Sealant.

Note: The screws and wall plugs supplied are for masonry walls. For lightweight walls i.e. stud partition, plasterboard etc, use the correct type of fixings.





CUSTOMER CARELINE 01746 713410

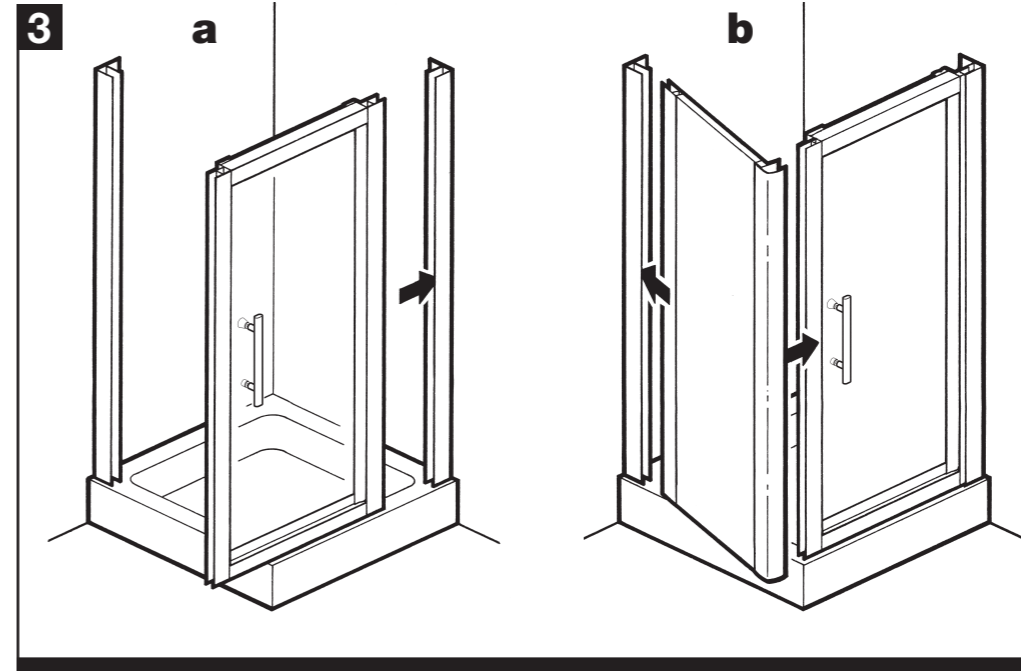
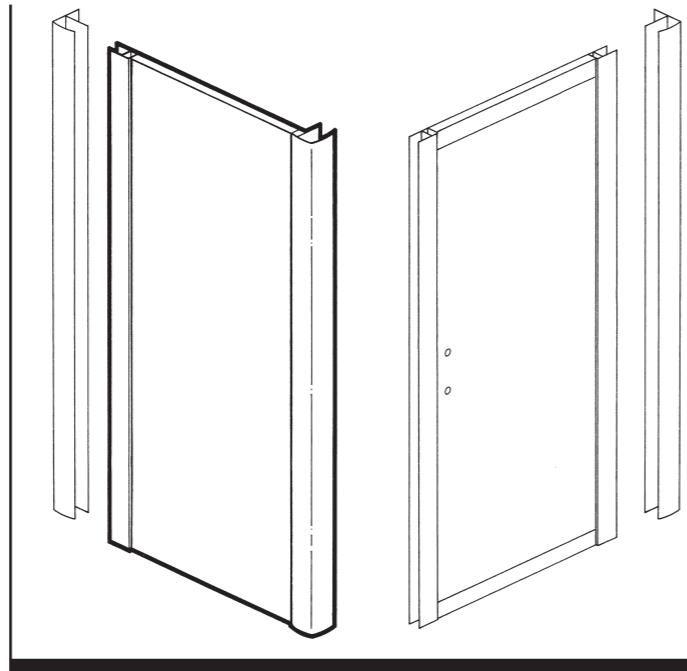
CORAM SHOWERS LTD

Stanmore Industrial Estate, Bridgnorth, Shropshire WV15 5HP, UK • Tel: 01746 766466 • Fax: 01746 764140 • www.coram.co.uk

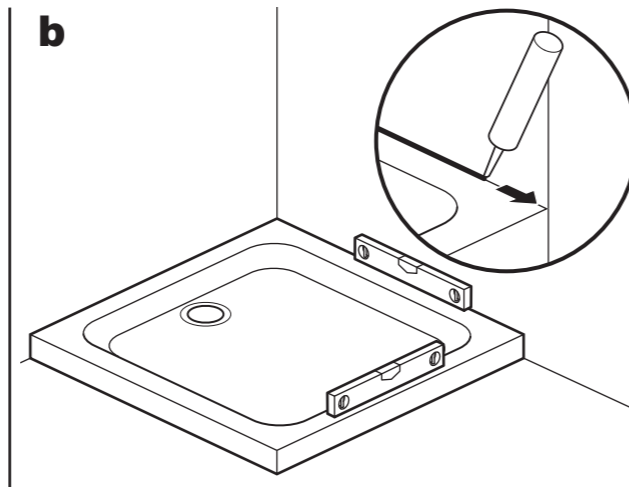
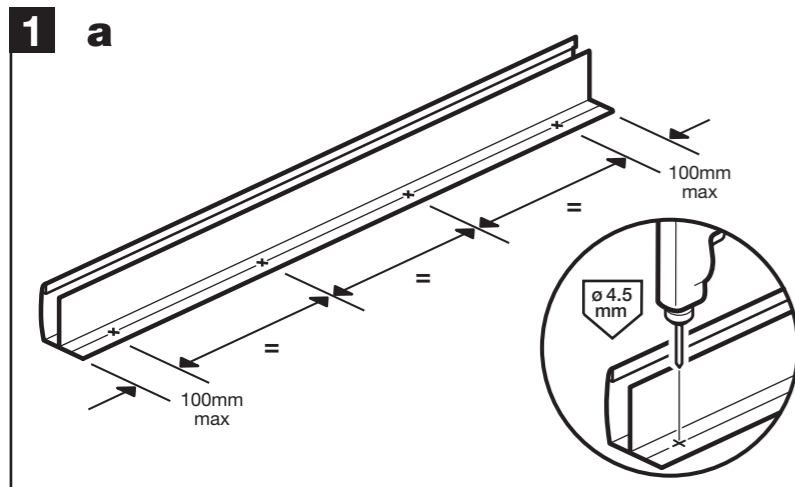
Check contents of pack before installation. If anything is missing, contact our Customer Careline for assistance.

CUSTOMER CARELINE: 01746 713410

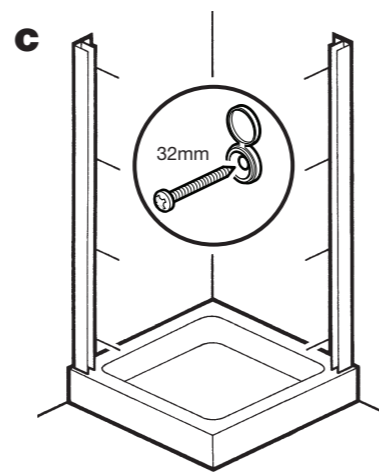
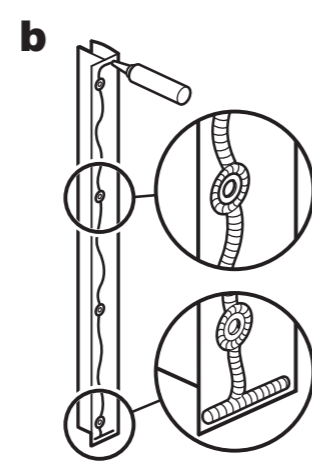
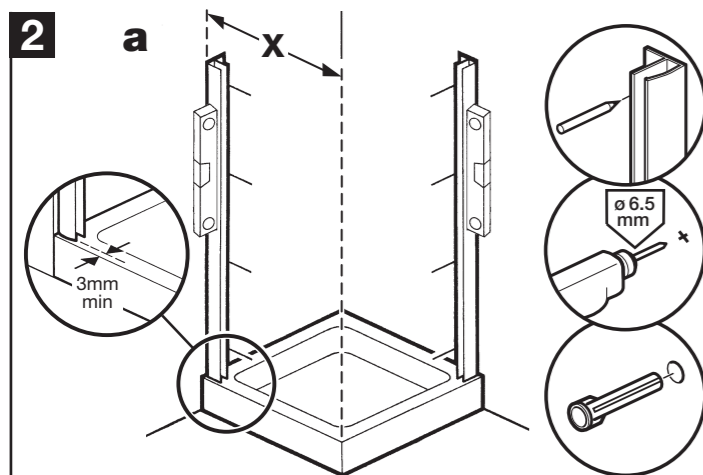
PN3222	3	PN50495 PN50496	1/1
10mm PN4748		PN50503 PN50504	
			
			



a: Insert your door into the wall channel (Pivot Door shown).
b: Insert the side panel into the wall channel and into the door.

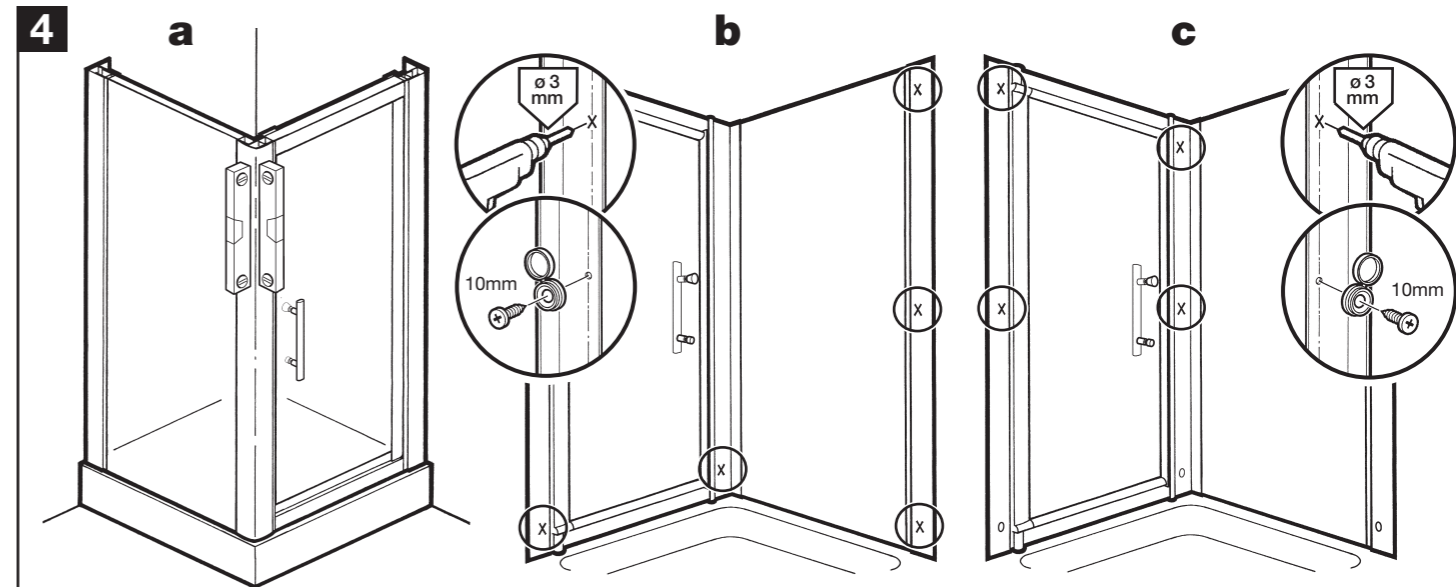


a: Drill holes in both wall channels at points shown using a 4.5mm drill bit, where shown.
b: Ensure the shower tray is level in all directions. **IMPORTANT:** Clean the tray and seal the gap between the tray surface and tiles. It is important that the tray is sealed right up to the tray edge so that the bottom of the wall channel is sealed. Failure to do this will cause water to leak under the wall channel and between the tray and tiles, resulting in damp patches on the wall and under the tray.



X = Side Panel (S/P) widths
700 S/P = 670 - 695mm
760 S/P = 735 - 760mm
800 S/P = 775 - 800mm
900 S/P = 875 - 900mm

a: Place wall channels on the tray ensuring they are vertical and a minimum of 3mm back from the front of the tray. Place masking tape against the wall before marking drill hole positions, this will help prevent the drill bit slipping. Drill 6.5mm holes, 30mm deep and insert the wall plugs.
b: Apply sealant to the back of the wall channels.
c: Fix the wall channels to the wall using 8 x 32mm screws and screw caps.



a: Check that the enclosure is perfectly vertical and the door is square within the frame (see Door instruction).
b: Drill inside of wall channels and corner post using 3mm drill bit in the 5 positions shown. **DO NOT** drill too deep. Fix using 10mm screws and screw caps.
c: Check that the enclosure is perfectly vertical and the door is square within the frame. Drill the next four holes in the upper positions shown inside of the wall channels and corner post using 3mm drill bit. **DO NOT** drill too deep. Fix using 10mm screws and screw caps.

Check out our full range of Shower Enclosures

Quadrant Shower Enclosures

Corner Entry Shower Enclosures

Walk in Shower Enclosures

Sliding Shower Doors

Bifold Shower Doors

Pivot Shower Doors

Hinged Shower Doors

Shower Screens

From Top Brands

Coram Shower Enclosures

Mira Shower Enclosures

Hydrolux Shower Enclosures

Diamond Shower Enclosures

With quality shower trays to match your enclosure

Square Shower Trays

Rectangular Shower Trays

Quadrant Shower Trays

Coram Shower Trays

Mira Flight Shower Trays

plumbworld
Big brands, small prices.