

VANTAGE Easyfit Bath Filler

Product Specification

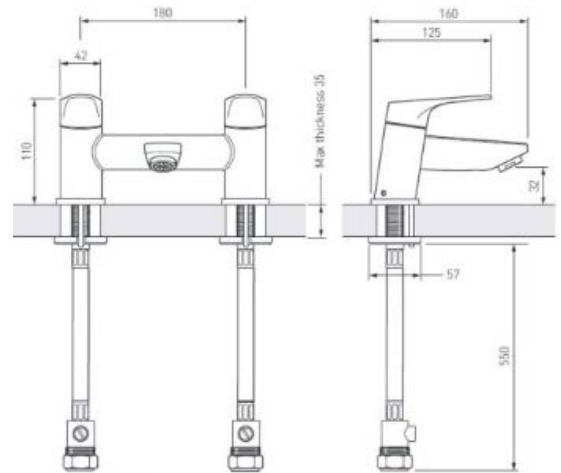
Product Code:	VT BF C
Finishes:	Chrome
Product Type:	Contemporary
Construction:	Tap bodies are of all brass construction and are designed to conform to BS EN 200
Valve Type:	¼ Turn ¾" Ceramic Disc
Supply:	Suitable for all plumbing systems
Inlet Connections:	22mm flexible connecting pipes incorporating isolation valves
Working Pressures:	Min 0.2 bar Max. 8.0 bar



Easyfit
FASTER. SMARTER.

Additional Information

- Unique patented technology
- Designed with the installer in mind to ensure installation and future maintenance is made quick and easy
- Chrome plated to BS EN 248
- Ceramic disc valves for added durability and ease of use
- Supplied with easy to use metal handles



Flow Rates (litres per minute)

System Pressure	0.2bar	0.5bar	1.0bar	2.0bar	3.0bar	5.0bar
Single Outlet	13.3	21.2	30.2	42.7	52	59.7
Mixed	24.1	36.7	51.6	73.2	89.3	115.2

Compliance / Approvals

WRAS Approval No: 1407964
 Patent Applications: PCT/GB2011/051010
 TW10018586

Technical Advice: For further information please call 0844 7016273
 or email customercare@bristan.com

Guarantee: 5 years covering manufacturing faults.

Check out our full range of Bathroom Taps

Contemporary Bathroom Taps

Traditional Bathroom Taps

Waterfall Bathroom Taps

Basin Taps

Bath Taps

Bidet Taps

Luxury Mira Aspects Taps

Mira Honesty

Mira Evolve

Mira Precision

Mira Comfort

Mira Revive

Mira Fluency

Don't forget these amazing tap cleaning and care products

Cramer Tap Cleaner

Cramer Chrom Star Chrome Polish

plumbworld
Big brands, small prices.