

VT 1/2 C

VANTAGE Tap Range Vantage Basin Taps Chrome



Specification	
Style:	Contemporary
Product Type:	Bathroom taps
Finish/Colour:	Chrome
Main Construction Material:	Brass
Mount Type:	Deck
Handle Type:	Paddle
Connection Inlet:	22mm Flexible Connecting Pipes
Number of Tap Holes Required:	2
Valve/Cartridge Type:	1/2" ceramic Disc Valve
Plumbing System Suitability	All
Working Pressure Range:	Min. 0.2 bar - max. 5.0 bar
Maximum Hot Water Temperature: °c	65
Maximum Dynamic Pressure: (bar)	5
Maximum Static Pressure: (bar)	10
Flow Type:	Single flow
Flow Rate: (l/min @ 3 bar)	24.7
Connection Outlet:	M24 Flow Straightener
Isolation Included:	Yes

Features:

- Easy fit base included
- Meatal fixing nut
- Complete with flexi tails and integral isolators

Product Certifications:

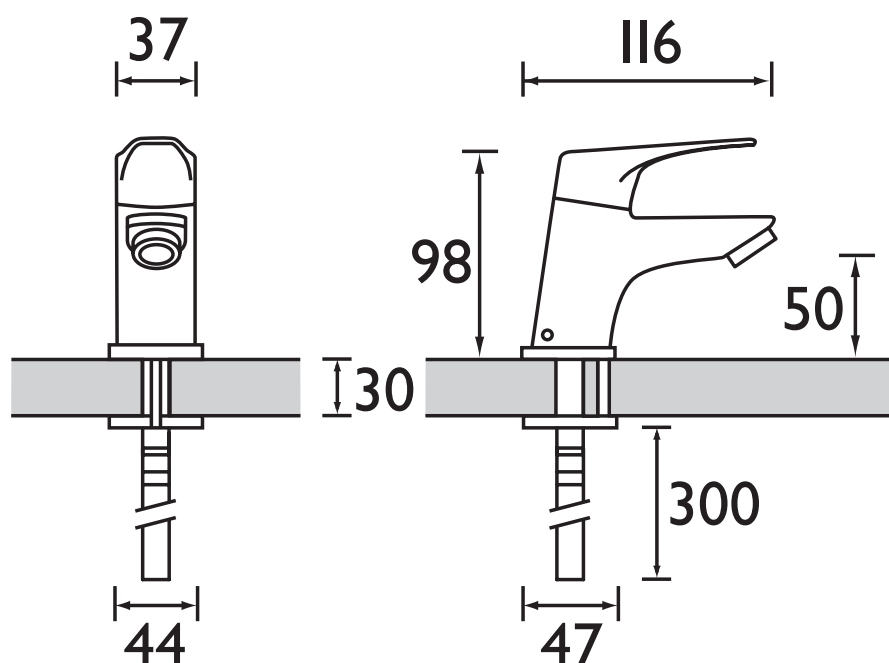
WRAS No: 1407962
WRAS Expiry Date: 31/07/2019



For more products, visit our website:



Dimensions (measurements in mm)



Flow Rates (l/min)

System Pressure (bar)	0.2	0.5	1	2	3	5
VT 1/2 C	4.5	9.8	14	20	24.7	31.7

TECHNICAL
DATA
SHEET



BRISTAN
TAPS & SHOWERS

D3

Check out our full range of Bathroom Taps

Contemporary Bathroom Taps

Traditional Bathroom Taps

Waterfall Bathroom Taps

Basin Taps

Bath Taps

Bidet Taps

Luxury Mira Aspects Taps

Mira Honesty

Mira Evolve

Mira Precision

Mira Comfort

Mira Revive

Mira Fluency

Don't forget these amazing tap cleaning and care products

Cramer Tap Cleaner

Cramer Chrom Star Chrome Polish

plumbworld
Big brands, small prices.