

TECHNICAL DATA SHEET

SONIQUE

Thermostatic Surface Mounted Shower Valve With Adjustable Riser

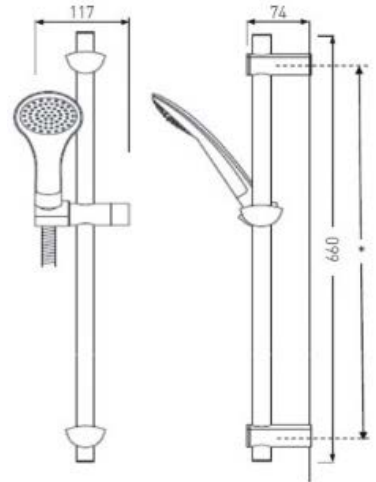
Product Specification

Product Code:	SOQ2 SHXAR C
Finishes:	Chrome
Product Type:	Contemporary
Construction:	Body is of Brass Construction
Cartridge Type:	Thermostatic
Supply:	Suitable for all plumbing systems, preferably balanced
Inlet Connections:	15mm Compression
Outlet Connections:	G1/2"
Water Pressure:	Min 0.1 bar Max. 5.0 bar
Dimensions:	110-155mm inlet centres



Additional Information

- On/off and temperature are controlled by an easy to use single lever
- Thermostatic cartridge maintains showering temperature to +/- 1 degree
- Automatic shut-off in the event of hot or cold water supply failure
- Factory set to a maximum of 43oC to eliminate the ability to select on unsafe temperature
- Supplied with 1.5m shower hose, riser rail, hose retainer and single function rub clean handset
- Swivel inlet elbows with 110-155mm centres. Valve can be fed from top, bottom or rear
- Chrome plated to BS EN 248



Flow Rates (litres per minute)

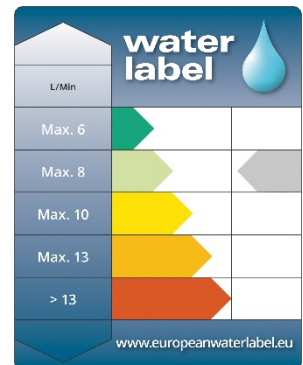
System Pressure	0.1bar	0.2bar	0.5bar	1.0bar	2.0bar	3.0bar	5.0bar
With Flow Regulators	---	---	---	6.7	7.2	7.5	7.8
Without Flow Regulators	5.9	10	18.9	26.73	37.8	46.3	59.77

Compliance / Approvals

WRAS Approval No:	1403029
TMV2 Approval No:	BC1272/1013
TMV2 Designations:	HP-SE and LP-S

Technical Advice: For further information please call 0844 7016273 or email customer@bristan.com

Guarantee: 5 years covering manufacturing faults.



Check out our full range of Showers

Electric Showers

Digital Showers

Mixer Showers

Power Showers

Smart Showers

Shower Towers

From Top Shower Brands

Mira Showers

Aqualisa Showers

Triton Showers

Gainsborough Showers

Shower Pumps can upgrade your showering experience even more

Stuart Turner Shower Pumps

Salamander Shower Pumps

Grundfos Shower Pumps

plumbworld
Big brands, small prices.