

# TECHNICAL DATA SHEET

## QUADRATO Bidet Mixer

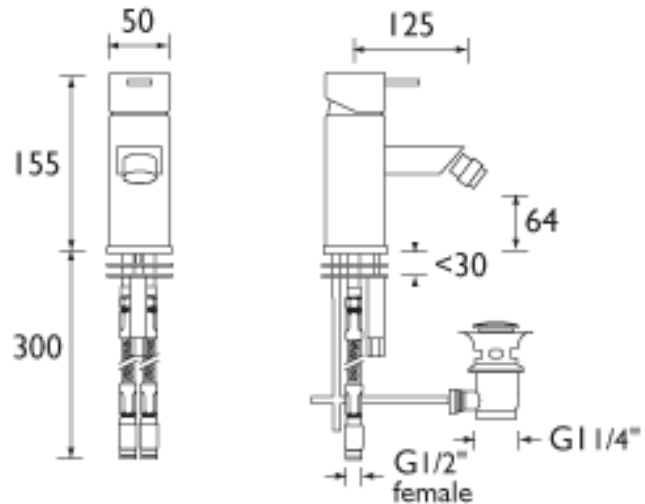
### Product Specification

Product Code:	QD BID C
Finish:	Chrome
Product Type:	Contemporary
Construction:	Body is of Brass Construction and is designed to conform to BS EN 200
Supply:	Suitable for all plumbing systems, preferably balanced
Cartridge Type:	35mm Ceramic Disc Cartridge
Inlet Connections:	½ Female Flexible inlet tails
Outlet Connections:	Flow Straightener
Working Pressures:	Min 0.5bar, Max 8.0bar
Dimensions for Fitting:	155 (H) mm, 50 (W) mm, 125 (D) mm



### Additional Information

- Supplied with Metal Handles
- Supplied with Metal Fixing Nuts
- Chrome plated to BS EN 248
- Includes an eco-click water saving feature. Cartridge offers subtle resistance as it reaches approximately half its full flow capacity, saving water. The eco-click feature can be over-ridden for increased flow
- Incorporates additional safety feature where the maximum temperature can be controlled by repositioning a plastic collar under the control lever to limit its travel

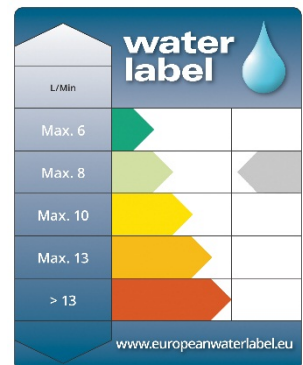


### Flow Rates (litres per minute)

System Pressure	0.5bar	1.0bar	2.0bar	3.0bar	4.0bar	5.0bar
QD BID C	2,86	4.04	5.72	7.0	8.08	9.04

**Technical Advice:** For further information please call 0844 7016273 or email [customer@bristan.com](mailto:customer@bristan.com)

**Guarantee:** 5 years covering manufacturing faults.



## **Check out our full range of Bathroom Taps**

Contemporary Bathroom Taps

Traditional Bathroom Taps

Waterfall Bathroom Taps

Basin Taps

Bath Taps

Bidet Taps

## **Luxury Mira Aspects Taps**

Mira Honesty

Mira Evolve

Mira Precision

Mira Comfort

Mira Revive

Mira Fluency

## **Don't forget these amazing tap cleaning and care products**

Cramer Tap Cleaner

Cramer Chrom Star Chrome Polish

**plumbworld**  
**Big brands, small prices.**