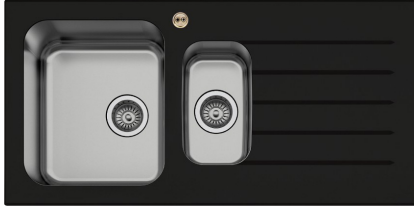


GLL SKGLA1.5 BL

GLACIER Sink Range Gallery Glacier Easyfit Sink 1.5 Bowl Black Glass Left Drainer



Right Drainer Shown

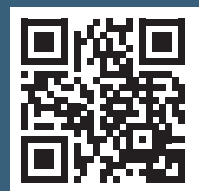
Features:

- Easy installation: pre-fitted with Easyfit tap base, flexible inlet pipes and isolators
- Everything you need: strainer waste, overflow, pipework and fixings included
- Made to last: 8mm toughened glass with 304 grade 18/8 stainless steel base
- Includes cutting-hole template
- 25 year guarantee (Easyfit base 5 years)

Product Certifications:



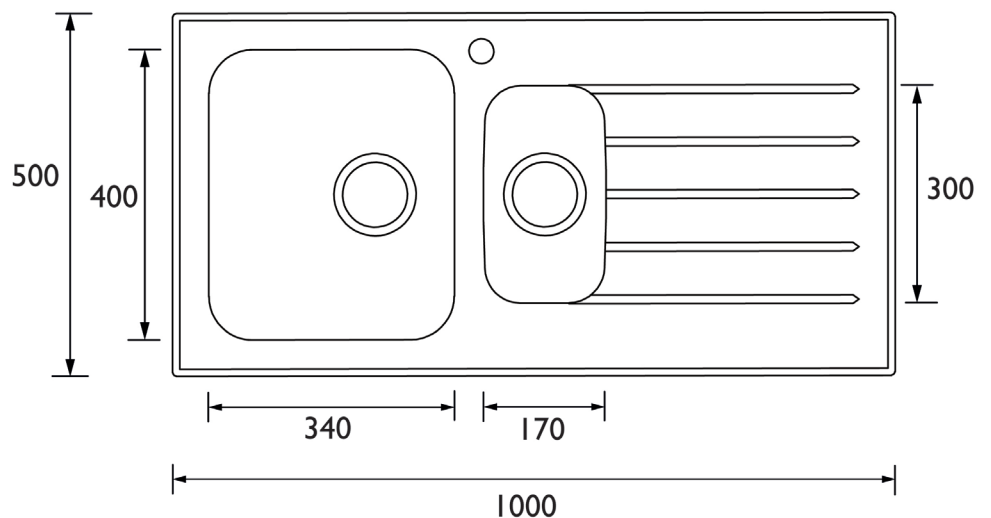
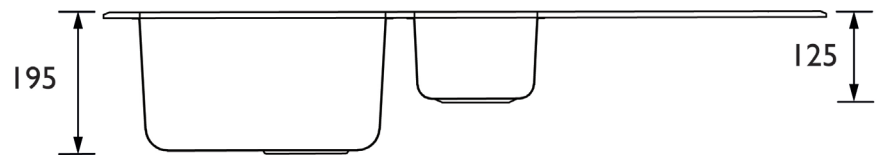
For more products, visit our website:
<http://www.bristan.com>



Specification

Main Construction Material:	Stainless Steel; Glass
Number of Tap Holes:	1
Product Finish:	Black
Sink Type:	1.5 Bowl
Connection Inlet:	1/2" BSP Flexible Tails
Connection Outlet:	G1 1/2"
Product Orientation:	Left Drainer
Drainage Flow Rate (litres per minute)	37

Dimensions (measurements in mm)



Minimum Cabinet Width: 600mm

TECHNICAL
DATA
SHEET



Kitchen Sinks



Tap



Waste Kit

BRISTAN
TAPS & SHOWERS D2

Check out our full range of Kitchen Products

Kitchen Sinks

Stainless Steel Kitchen Sinks

Granite Composite Kitchen Sinks

Glass Kitchen Sinks

Ceramic Kitchen Sinks

Franke Kitchen Sinks

Kitchen Taps

Contemporary Kitchen Taps

Traditional Kitchen Taps

Franke Kitchen Taps

Pull out Rinser Kitchen Taps

Instant Boiling Water Taps

Insinkerator Waste Disposal Units

plumbworld
Big brands, small prices.