

TECHNICAL DATA SHEET



LEVER Deck Sink Mixer

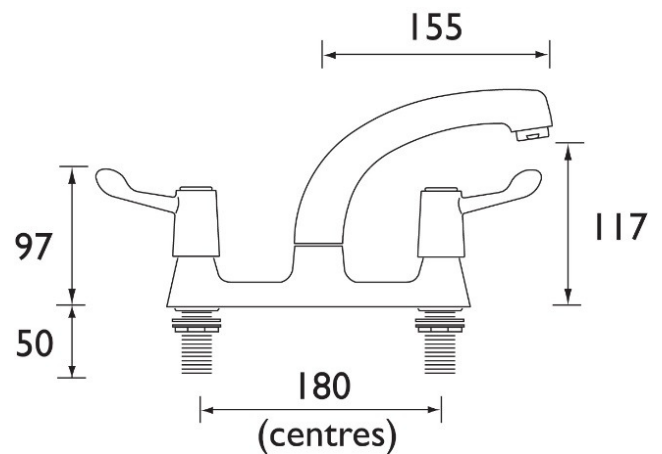
Product Specification

Product Codes: VAL DSM C CD (3 Inch Levers)
 VAL DSM C 6 CD (6 Inch Levers)
Finishes: Chrome
Product Type: Contemporary
Construction: Tap bodies are of all brass construction
Valve Type: ¼ Turn ½" ceramic disc valve
Supply: Suitable for all plumbing systems, preferably balanced
Inlet Connections: ½" BSP
Water Pressure: Min 0.2 bar Max. 8.0 bar



Additional Information

- VAL DSM C CD supplied with 3" (76mm) metal levers
- Supplied with metal back nuts
- VAL DSM C 6 CD supplied with 6" (152mm) metal levers
- Chrome plated to BS EN 248



Flow Rates (litres per minute)

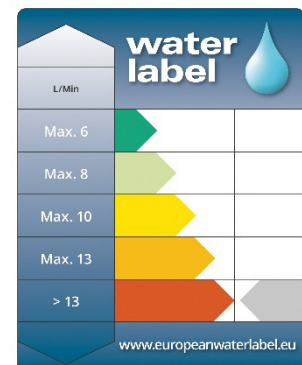
System Pressure	0.2bar	0.4bar	1.0bar	2.0bar	3.0bar	5.0bar
Hot	6.3	9.6	15.7	22.6	27.9	36.0
Cold	7.4	11.2	18.4	26.4	32.7	42.5
Mixed	13.5	20.67	34.2	49.1	60.9	78.7

Compliance/Approvals

WRAS Approval Nos: 1406073 – VAL DSM C 6 CD
 1406072 – VAL DSM C CD

Technical Advice: For further information please call 0844 7016273
 or email customercare@bristan.com

Guarantee: 5 years covering manufacturing faults.



Bristan, Birch Coppice Business Park, Dordon, Tamworth, B78 1SG
 Telephone: 0844 701 6274 Facsimile: 0844 701 6275
 Web Site: www.bristan.com Email: enquire@bristan.com



The information contained on this page was correct at date of issue. Fitting dimensions are provided as a guide only. Some variation may occur due to manufacturing tolerances. Bristan pursues a policy of continuing improvement in design and performance of its products and so reserves the right to change specifications without prior notice.

Check out our full range of Kitchen Products

Kitchen Sinks

Stainless Steel Kitchen Sinks

Granite Composite Kitchen Sinks

Glass Kitchen Sinks

Ceramic Kitchen Sinks

Franke Kitchen Sinks

Kitchen Taps

Contemporary Kitchen Taps

Traditional Kitchen Taps

Franke Kitchen Taps

Pull out Rinser Kitchen Taps

Instant Boiling Water Taps

Insinkerator Waste Disposal Units

plumbworld
Big brands, small prices.