

AFTERCARE INSTRUCTIONS

Your fitting has a high quality finish and should be treated with care to preserve the visible surfaces.

All surface finishes will wear if not cleaned correctly, the only safe way to clean your mixer is to wipe with a soft damp cloth. Stains can be removed using washing up liquid. All bath cleaning powders and liquids will damage the surface of your fitting even the non scratch cleaners.

GUARANTEE

All products are manufactured to the highest standards and a 5 year guarantee covers any defect in manufacture.

As gold and special effect finishes are softer than chromium plate, special care must be taken when cleaning, a 3 year guarantee covers these finishes.

NOTE: - the 5 year guarantee on valve is invalidated if damaged by any water born debris.

PRODUCT NAME:

PRODUCT CODE:

TELEPHONE HELP LINE! +44 (0)844 701 6273

Bristan Group Limited
Birch Coppice Business Park
Dordon
Tamworth
Staffordshire
B78 1SG
UK

A Masco Company
Web Site: www.bristan.com
Telephone: +44 (0)844 701 6374
Facsimile: +44 (0)844 701 6275
Email: enquire@bristan.com

(FI BRDSM)

(REV.D4)

BRISTAN

Bridge Deck Sink Mixer

Fitting Instructions

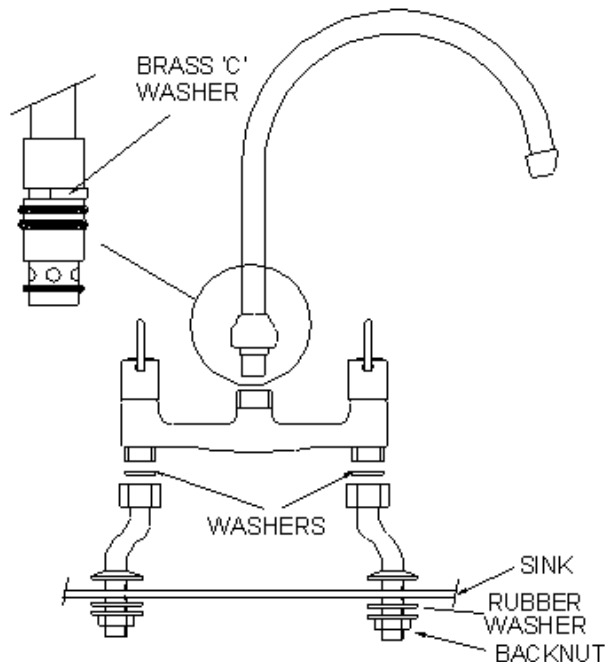
Please keep these instructions for future reference

WATER PRESSURE

This mixer is suitable for use at all supply pressures.

If the fitting is installed at low pressure (tank fed), then the minimum height from the outlet of the nozzle to the underside of the cold tank should be 1.8 metre to ensure adequate performance.

This mixer should be installed in compliance with the Water Regulations.
For further details contact your Local Water Authority.



INSTALLATION

1. Identify all components and check for completeness, particularly before arranging installation.
2. Fit the nozzle to the body, using the brass 'C' washer in the groove above the 'O' rings.
3. Fit the legs to the body using the plastic sealing washers.
4. Install the fitting into the sink, using the washers and backnuts provided.
5. Connect the hot and cold water supplies.
6. Turn on the water supplies. Open both valves letting the water flow for a few minutes to flush the system.
7. Check all joints and connections for leaks.
8. See over the page for aftercare instructions.

N.B. please write the name and product code of your fitting in the spaces provided overleaf. This will ensure a speedier service if you should need to phone the help line.

MAINTENANCE

Traditional type valves: - If the fitting leaks from the spindle

1. Remove fitting handle (if necessary).
2. Tighten gland nut on top of valve.

All valve types: - If the fitting begins to drip

1. Turn off the water supply.
2. Remove fitting handle and valve.
3. Carefully clean seating and rubber washer.
4. Replace valve and turn on the water supply.
5. Contact our help line if problem persists.

Check out our full range of Showers

Electric Showers

Digital Showers

Mixer Showers

Power Showers

Smart Showers

Shower Towers

From Top Shower Brands

Mira Showers

Aqualisa Showers

Triton Showers

Gainsborough Showers

Shower Pumps can upgrade your showering experience even more

Stuart Turner Shower Pumps

Salamander Shower Pumps

Grundfos Shower Pumps

plumbworld
Big brands, small prices.