

BATHROOM FURNITURE CARE GUIDE

1. Should any of your items have a defect, please do NOT install as returns will not be accepted once fitted.
2. We advise that you use a qualified person to install your units, as any issues relating to poor fitting will not be accepted by the supplier.
3. You have purchased a handmade and in some cases hand painted product. Therefore, you may see some slight imperfections which the supplier may deem as acceptable.
4. This product is water resistant but NOT waterproof. On no account should any spillages or splashes, even water, be allowed to lie on any surface. All spillages and splashes should be wiped dry, failure to do so may shorten the life expectancy of the product and invalidate any guarantees.
5. Please avoid direct sunlight as this will cause the painted surfaces to dis-colour.
6. Due to motion in transit, the cabinet doors and drawers may need to be adjusted after installation.
7. Floor Standing units must be fitted back to the wall through the backrail using suitable fixings (not supplied).

Please note that although these units have been designed to give years of pleasure and satisfaction, you will help maintain the original beauty of your bathroom by following these guide lines.

Painted Doors

Use a cleaning product not containing aggressive substances like acetone, alcohol, bleach ... as those components could seriously damage the surface of your furniture. The best would be to use a soft cotton or micro fibre cloth with only water and soft soap (containing a maximum 1% of liquid soap)

Painted Carcase Components & Bath Panels

Do not use polish on any surfaces. A damp cloth with soapy water will clean off most marks or spills. Bleaches, scouring pads and multi-surface cleaners must not be used.

Drawers, Runners, Door Hinges

These should be wiped out with a damp soapy cloth and wiped dry with a soft cloth as necessary. The runners and hinges are lubricated and should not be cleaned with a degreasing agent as this will affect the action of the moving parts. Never lean on partially or fully opened doors and drawers in order to gain access to the units. The hinges are specified to adequately support the weight of the door. It is advised that once the furniture has been installed you should check every six months that all screws on the hinges are tight.

Marble Worktops

Although the worktop is hard wearing, sharp objects will scratch and excessive heat will scorch the surface. Care should be taken not to drop any heavy objects onto the worktop as the surface may crack. For cleaning, a damp soapy cloth will clean off most spills. Bleaches, scouring pads and multi-surface cleaners should not be used. Corrosive liquids and make-up should be wiped off immediately. On no account should any spillage, even water, be allowed to lie on the surface.

Temperature and Humidity

Avoid excessive change in temperature and humidity. Always try to ensure adequate ventilation.

Spillages and Splashes

On no account should any spillages or splashes, even water, be allowed to lie on any surface. All spillages and splashes should be wiped dry, failure to do so may shorten the life expectancy of the product and invalidate any guarantees.

Regulations

If it is your intention to remove and replace your bathroom fittings with "like for like" units, then this is classed as "non regulated" and no building regulations would be required. However, building regulation approval may be required if the bathroom refurbishment involves altering the drainage or the internal layout within the dwelling to accommodate the new fitting such as a second bathroom. In this instance, we would advise you to contact the Building Control Department at your local authority to discuss the need for a formal building regulation application. Macerator - Current building regulations specify that a sanipump smallbore system can be fitted in a dwelling where there is also a normal gravity discharge W.C. It should not be the only W.C. facility. Electrical - Remember that double pole isolating switches are required for all electrical points apart from special razor sockets. All work must conform to BS7671: 2008 the current I.E.E. Regulations.

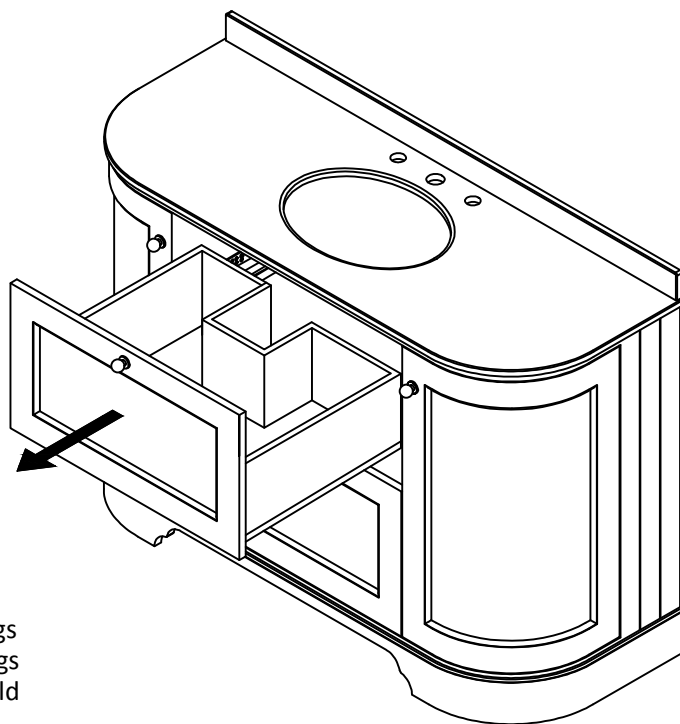
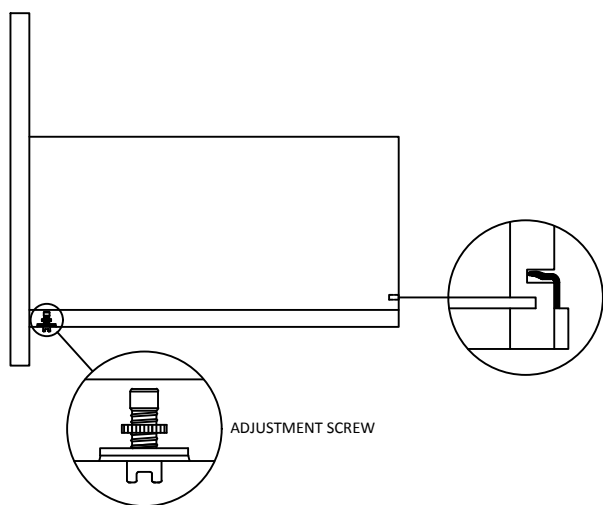
The company reserves the right to continually evolve its product lines without notification.

The company will not accept any liability regarding specification changes and their consequences unless previously quoted by the company in writing.

FURNITURE FITTING INSTRUCTION

This instruction covers a variety of topics to help with your installation.
 Drawer Box Adjustment, Handle Drilling, Hinge Adjustment & Wall Hanging

REMOVING DRAWERS



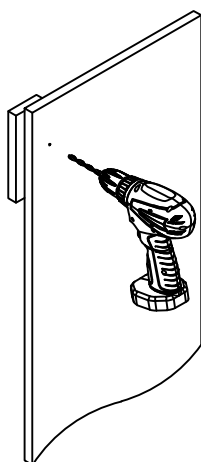
To remove drawer from cabinet, pull-out the drawer to it's full extension and gently lift the drawer box upwards.

To re-fit the drawer, locate the back of the drawer box onto the lugs at the back of the runner. Gently lower the drawer box onto the lugs along the runner and push the drawer box home. The drawer should now be correctly located on the runner.

For adjustment, there's a small screw at the front edge on the runner. Simply adjust the drawer up/down as required.

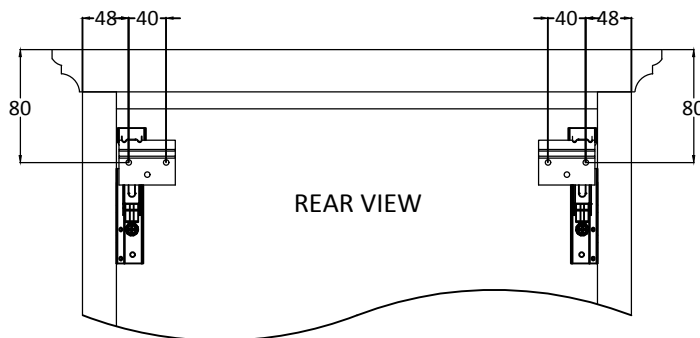
HANDLE DRILLING (TALL UNIT ONLY)

The door is already part drilled for the handle. Before drilling for the handle, select the required hanging (LH/RH). Using a 5mm drill bit, drill through the reverse of the fascia into a scrap piece of timber to help prevent splintering. Note: Drilled doors cannot be returned.



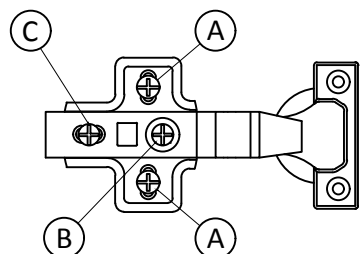
MIRROR CABINETS

1. Fix wall hanging plates as shown below. Check the type of wall you are fixing to and use suitable fixings (not supplied).

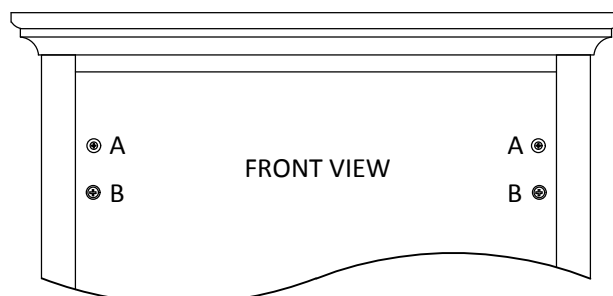


2. You may need to increase the hooks protrusion. To do this turn screw 'A' anti-clockwise. Once located onto the wall hanging plates, turn screw 'A' clockwise to fix the cabinet to the wall.
3. You may need to do some fine adjustments once the cabinet is fixed. Turn screw 'B' anti-clockwise for UP and clockwise for DOWN.

HINGE ADJUSTMENT



A - Adjusts Door Vertically
 B - Adjusts Door Horizontally
 C - Adjusts Door In/Out



Check out our full range of Bathroom Furniture

Wide Range of Colours

White Bathroom Furniture / White Gloss Bathroom Furniture

Grey Bathroom Furniture

Black Bathroom Furniture

Walnut Bathroom Furniture

Wide Range of Styles

Bathroom Vanity Units

Bathroom Cabinets

Basin & Toilet Furniture Units

Traditional Bathroom Furniture

Bathroom Drawers

Tall Bathroom Units

Radiator Covers / Radiator Cabinets

plumbworld
Big brands, small prices.