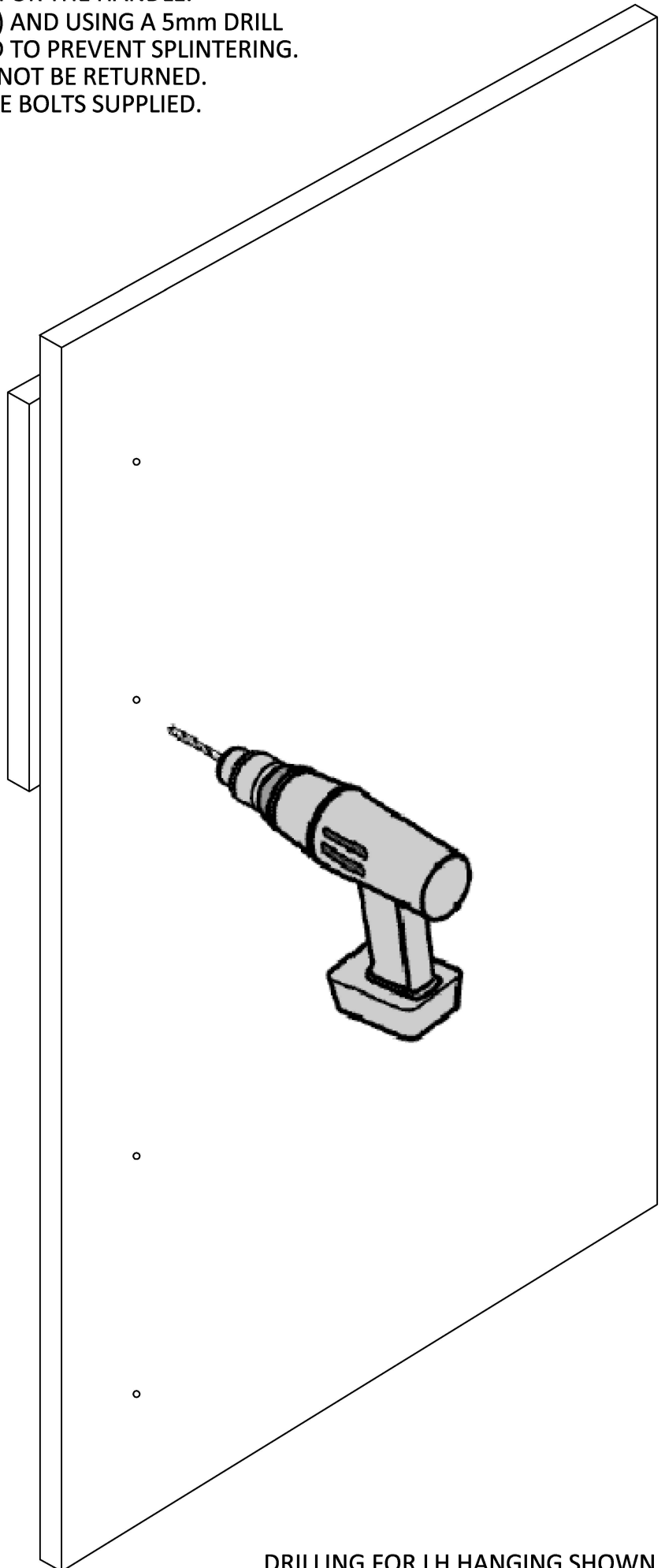


## DOOR HANDLE DRILLING

THE DOOR IS ONLY PARTLY PRE-DRILLED FOR THE HANDLE.  
SELECT THE HANDING REQUIRED (LH/RH) AND USING A 5mm DRILL  
BIT, DRILL INTO A PIECE OF SCRAP WOOD TO PREVENT SPLINTERING.  
PLEASE NOTE THAT DRILLED DOORS CANNOT BE RETURNED.  
FIX THE HANDLE USING THE TWO HANDLE BOLTS SUPPLIED.



WOOD BLOCK



DRILLING FOR LH HANGING SHOWN

## Check out our full range of Bathroom Furniture

### Wide Range of Colours

White Bathroom Furniture / White Gloss Bathroom Furniture

Grey Bathroom Furniture

Black Bathroom Furniture

Walnut Bathroom Furniture

### Wide Range of Styles

Bathroom Vanity Units

Bathroom Cabinets

Basin & Toilet Furniture Units

Traditional Bathroom Furniture

Bathroom Drawers

Tall Bathroom Units

Radiator Covers / Radiator Cabinets

**plumbworld**  
**Big brands, small prices.**