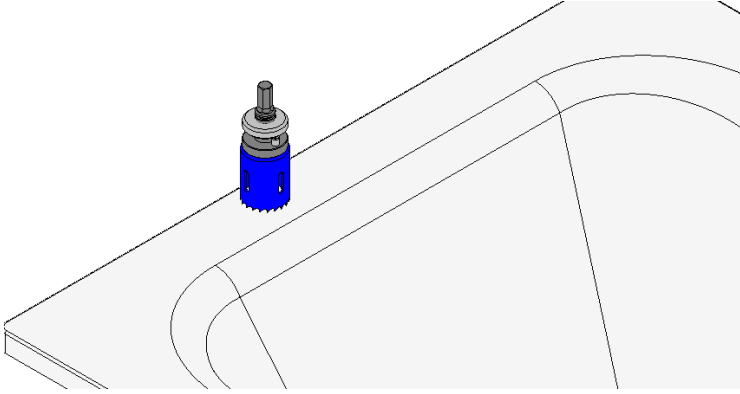
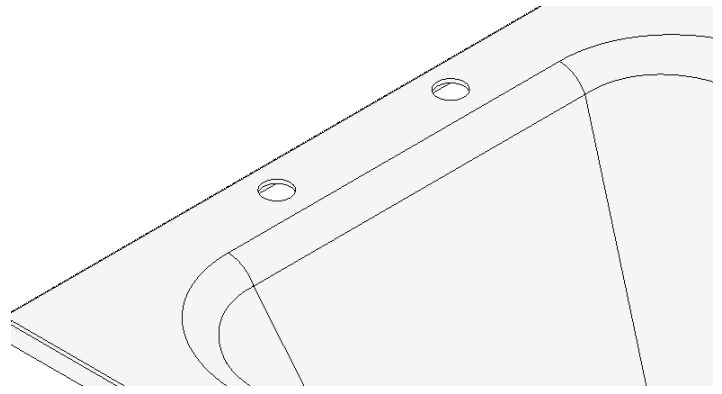


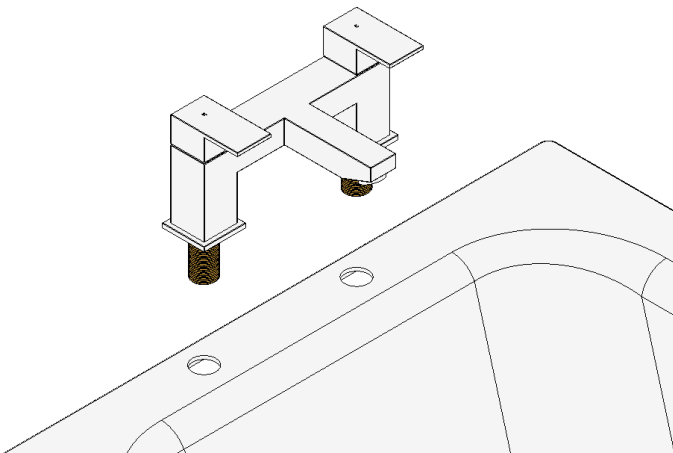
## Bath Mixer Assembly Guide



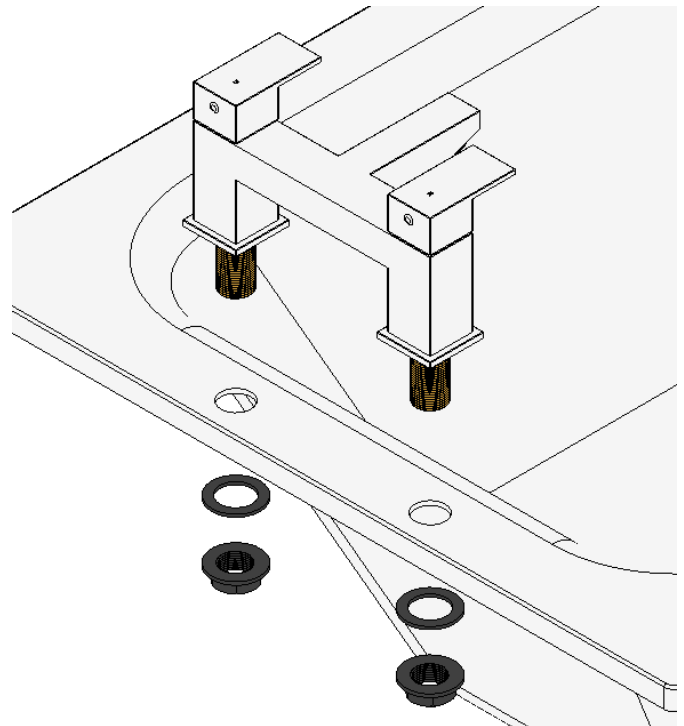
Bath mixers have centres of 180mm. Measure where you want the bath filler to sit. Make sure that there will be enough room for the nut to tighten all the way underneath.



Drill the holes 180mm apart with a 28-30mm hole saw.



Place the bath filler through the holes



Place the washer on the tap barrel, then tighten the tap to the bath with the back nuts.

### Customer Care Guide

It is important to clean your tap after every use, wipe down all metal parts with a soft cloth

Do not allow limescale to build up in hard water areas

Ensure that any residual water on the tap is removed after every use

Clean the tap regularly

Do not use abrasive products on any surfaces

Bathroom products are vulnerable to acid attack and some household consumables such as hair dye, disinfectants, denture cleaners etc can contain such acids. Contact with these materials should be avoided.

This instruction guide is for illustration purposes and may not be an exact representation of the physical product.

For full terms and conditions, please refer to the manufacturer

If further assistance is required, please contact your retailer or alternatively call our customer services team on 01924 666590

Then connect with a suitable water supply. When viewed from front on, hot water is on the left-hand side, cold water on the right-hand side.

## **Check out our full range of Bathroom Taps**

Contemporary Bathroom Taps

Traditional Bathroom Taps

Waterfall Bathroom Taps

Basin Taps

Bath Taps

Bidet Taps

## **Luxury Mira Aspects Taps**

Mira Honesty

Mira Evolve

Mira Precision

Mira Comfort

Mira Revive

Mira Fluency

## **Don't forget these amazing tap cleaning and care products**

Cramer Tap Cleaner

Cramer Chrom Star Chrome Polish

**plumbworld**  
**Big brands, small prices.**