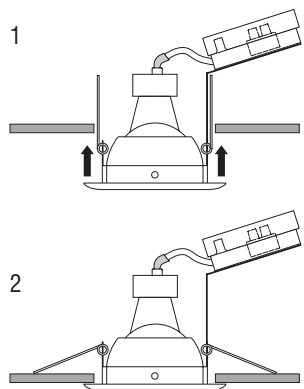


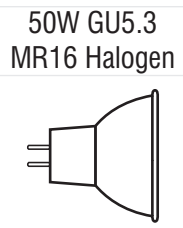
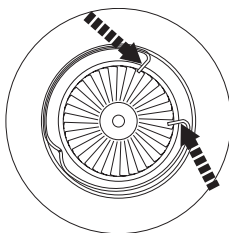
## Commissioning

- The ceiling surface must be flat and smooth to ensure a good fit.
- Push the spring clips upwards and fit into the ceiling hole. See diagram 1.
- Push the unit up until firmly in position, ensuring that no cables are trapped. See diagram 2.
- Ensure that the product is sitting properly in the hole.
- Replace fuse or circuit breaker and switch on. Your light is now ready for use.



## Fitting/replacing bulbs

- When changing a bulb, always switch off at the mains and allow the bulb to cool before handling. Used bulbs should not be disposed of with household waste. Please recycle where facilities exist.
- Always use the correct type and wattage bulb. Using the incorrect wattage bulb will damage the product.
- Use a soft cloth to handle bulbs, avoid directly touching the bulbs as this will shorten their life.
- Unscrew the front of the bezel. Remove circlip by squeezing tabs together, to release the bulb. Pull the bulb out of the lampholder.
- To refit, push the bulb into the lampholder, fit into place. Fit the circlip into place by squeezing the tabs together and clipping into place. Refit the front bezel.



We recommend cleaning with a soft dry cloth. Do not use solvents or abrasive cleaners as these could damage the finish.

Glass parts – Wipe with a damp cloth. Do not use abrasive materials as these will damage the finish.

## Recycling advice



Waste electrical products should not be disposed of with household waste. Please recycle where facilities exist. Check with your Local Authority or retailer for recycling advice.

## Safety information

For your safety, always switch off the supply before changing lightbulbs, or cleaning.

## Instruction leaflet

# Ortho Recessed

39735



saxby  
lighting

Thank you for purchasing this light fitting. Please read the instructions carefully before use to ensure safe and satisfactory operation of this product. Please retain these instructions for future reference.

## Warning

**This is a Class 3 product and requires the use of a transformer (not supplied).**

Please read these instructions carefully before commencing any work.

This unit must be fitted by a competent and qualified electrician.

Install in accordance with IEE Wiring regulations and current Building Regulations.

This system operates at Safety Extra Low Voltage (12V), via a transformer. Never connect the light fittings directly to the mains without using a transformer.

Always unplug the transformer from the mains when installing or maintaining this system.

Only use the correct type and wattage bulb.

When changing a bulb, always switch off at the mains and allow the old bulb to cool down before handling. Dispose of used bulbs carefully and responsibly.

This product can be dimmed using a compatible dimmer and transformer.

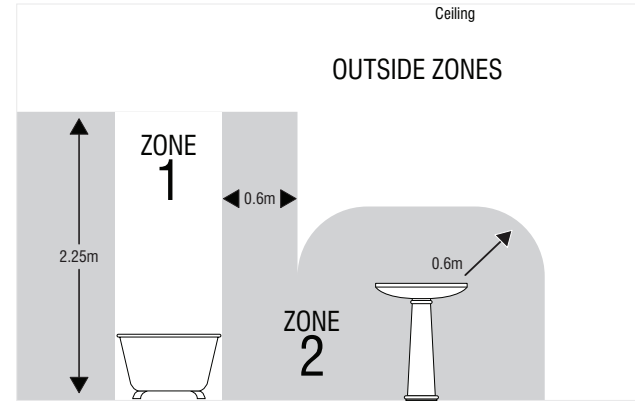
Waste electrical products should not be disposed of with household waste. Please recycle where facilities exist. Check with your local authority or retailer for recycling advice.

## Specification

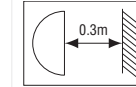
Voltage: 12V SELV  
Lamp: 1 x 50W MR16 Reflector  
IP rating: 44

## Layout

- Plan the desired layout of these fittings carefully, ensuring the cables will reach the distances between the transformer and each light fitting.
- Ensure that there is adequate ventilation for the transformer.
- Avoid locating any cables in positions that would cause a hazard. Position cables and junction boxes (not supplied) away from areas where they may be at risk from being cut, trapped or damaged
- The mains supply cable must have a minimum cross sectional area of 1.0mm<sup>2</sup>
- The distance between units must be 0.5m minimum.
- The unit must be located 0.2m away from a joist.
- This product must be mounted out of arms reach.
- This product has special protection against the ingress of moisture and is IP44 rated.



This product is suitable for use in Zone 1, Zone 2 and outside Zones of a bathroom. See diagram. If this unit is being fitted in a room containing a bath or shower, a 30mA RCD must be used - in accordance with IEE regulations.



Spotlights give a concentrated beam of light and must not be positioned any closer than 0.3M (30cm) to the illuminated surface.

## Installation

Existing fittings must be completely removed before installation of a new product. Before removing the existing fitting, **carefully note the position of each set of wires.**

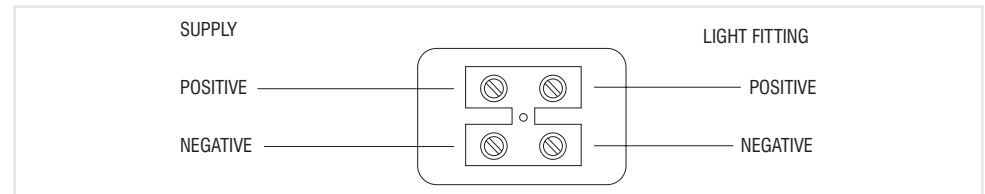
- Position the transformer next to the mains outlet that the system will connect to. Do not connect at this stage.
- Cut a 60mm diameter hole using an appropriate tool. Ensure that the void depth is a minimum of 150mm.

- It is recommended to cut the hole slightly smaller than needed, then file the hole until the recessed unit fits snugly.
- Ensure free movement of air by removing void insulation from at least 150mm from around the hole. Under no circumstances must these fittings be covered with insulating matting or similar material.

## Wiring

Remove the cover from the connector block on top of the unit. Connect the output cable of the transformer to

the terminals indicated below:



Connect the mains supply wiring to the transformer as detailed in the transformer instructions, ensuring that

you have correctly identified the wires.

## Check that...

- You have correctly identified the wires
- The connections are tight
- No loose strands have been left out of the connection block.

**plumbworld**  
**Big brands, small prices.**

Pdf Supplied By <http://www.plumbworld.co.uk/>