



Luxury for your bathroom

Thank you for purchasing this Cdx product. Please follow the fixing and care instructions to ensure that your shelving unit is fitted safely and that it retains its high quality finish. **Please retain this leaflet for future reference.**

This instruction leaflet applies to the following product:

WD216532E URBAN ILLUMINATED THREE SHELF UNIT

IMPORTANT INSTALLATION INFORMATION

THIS IS A CLASS 1 APPLIANCE AND MUST BE CONNECTED TO EARTH 

INPUT: 220-240V ac 5A IP RATING: IP24

 HAZARDOUS VOLTAGES INSIDE – DO NOT OPEN SEALED UNIT 

LAMP T4 240V FLUORESCENT 30W TUBE. TUBE LENGTH 750MM (WITH PINS 765MM)

In accordance with Statutory Instrument 2004 No. 3210 - The Building (Amendment) (No.3) Regulations 2004, any work, other than repair/replacements, in a room where there is water (e.g. kitchen, bathroom, etc.) must be either:

- **carried out by an electrician who is a member of a competent person self-certification scheme who will certify the work complies with the Building Regulations and you do not need to notify your local authority, or,**
- **carried out after prior notification to the Local Authority Building Control Department, which has responsibility for ensuring that the work is inspected and tested.**

IMPORTANT WARRANTY INFORMATION

In accordance with Statutory Instrument 2004 No. 3210 - The Building (Amendment) (No.3) Regulations 2004, the installer must give the occupier of the premises in which this product has been installed a certificate to confirm that the requirements of regulations 4 and 7 have been satisfied, or the installation of this product must be inspected and tested by the Local Authority Building Control Department who will issue a compliance certificate.

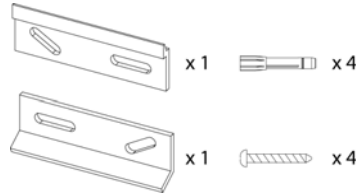
A copy of this certificate may be required for certain warranty claims. Failure to provide a copy of the certificate may invalidate the warranty.

This does not affect your statutory rights.

We recommend that you make yourself aware of the Regulations before you undertake any work and if you require clarification you should contact your Local Authority Building Control Department.

Fixing Pack Contents and Wall Bracket

Upper wall hanging bracket x 1
Lower wall hanging bracket x 1
Wall plugs x 4
Fixing screws x 4



Tools Required

Drill; 6mm masonry drill bit (6mm ceramic drill bit optional); Cross head screwdriver; Pencil; Spirit level; Tape measure, Hex head key (provided)

KEEP DIY TOOLS OUT OF THE REACH OF CHILDREN

Home Safety Advice

It is recommended that two people fit the shelf unit to ensure that it is fitted safely.

Always take care when using an electric drill, particularly in the bathroom. Always check for hidden cables and pipework before drilling and take extreme care if there is any water in the working area.

It is advisable to use a residual current circuit breaker (RCCB).

Always wear suitable eye protection when drilling.

If the product is to be fitted on a ceramic tiled wall, a ceramic drill bit should be used. Always ensure that the drill hole passes through the central tiled area rather than through the grouted area. To prevent surface damage to the tile from drill slippage, mask the hole area with tape before drilling.

Do not strike the product with hard or sharp objects or place hot objects onto the surface of the shelves.

Do not overload the shelves. Maximum safe working load 2kg per shelf evenly distributed when mounted to a solid wall. If mounted to a cavity wall reduce the load to 1.5kg evenly distributed.

Fixing Instructions

Positioning the Shelf Unit

This shelf unit is rated IP24 and must only be installed in bathroom Zone 3 or the Outside Zone, as shown below in Fig 1.

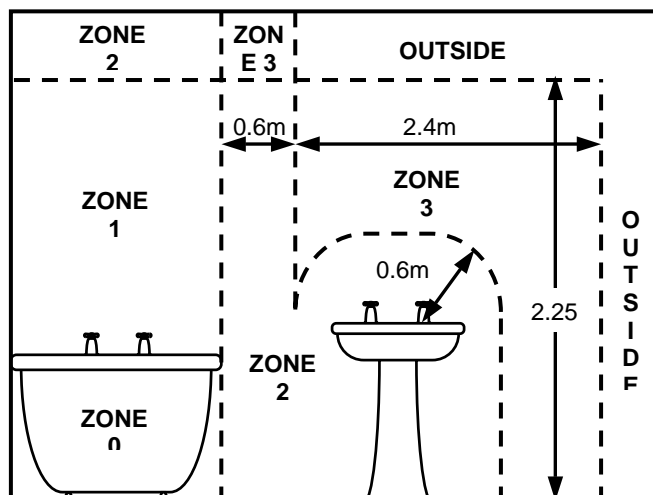


Fig 1

Hanging the Shelf Unit

1. Position the shelf unit without the shelves attached in the desired location.
2. While one person holds the shelf unit in place, the other person should mark a point on the wall by drawing a line at the top edge of the shelving unit and mark the centre point on this line. Remove the mirror from the wall (see Figs 2 and 3).
3. Using a tape measure and spirit level placed on the centre point, measure down and draw a long vertical reference line approx 850mm below the point marked on the wall (see Fig 3).
4. Using a tape measure, measure down 57mm from the top line and draw a horizontal line through this point. (see Fig 3).
5. While one person places the bottom edge of the upper wall hanging bracket onto the horizontal line, ensuring that the vertical line passes through the centre of the bracket (see Fig 4), the other person can then mark the hole centres in the positions shown in Fig 4.

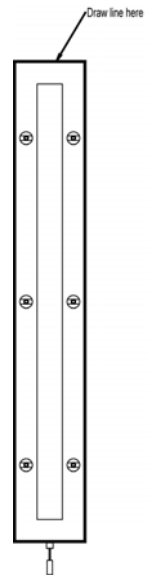


Fig 2



Fig 3

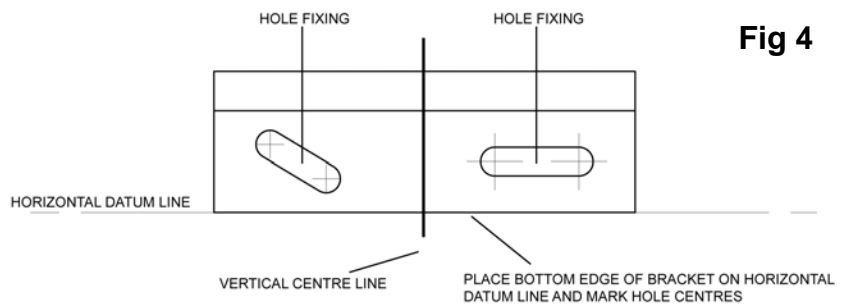


Fig 4

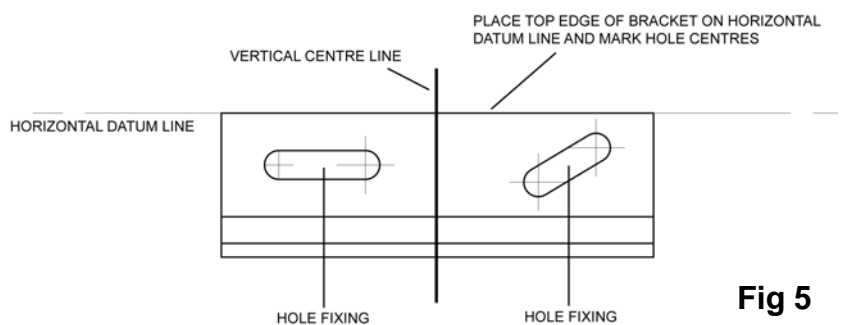
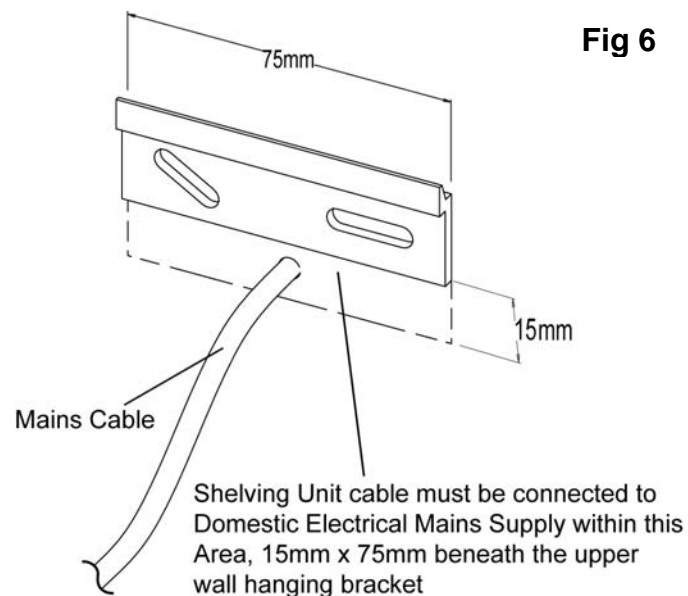


Fig 5

6. Using a tape measure, measure down the vertical line 775mm from the horizontal line and draw a second horizontal line at this point (see Fig 3).
7. While one person places the top edge of the lower wall hanging bracket onto the horizontal line, ensuring that the vertical line passes through the centre of the bracket (see Fig 5), the other person can then mark the hole centres in the positions shown in Fig 5.
8. Using a 6mm masonry drill, drill the holes in the marked positions to a depth of 50mm. If drilling through tiles, please pre-drill using a ceramic drill bit.
9. Insert the wall plugs to the surface of the wall. If fitting to a tiled surface, the wall plugs should be inserted below the surface of the tile to avoid cracking.
10. Insert the screws through the wall bracket and screw into the wall plugs. Using a spirit level ensure that the wall bracket is level and centred with the vertical line and adjust if necessary.

Connecting to Domestic Electrical Mains Supply

1. **Ensure that the domestic electrical mains supply to which the shelf unit is to be connected is turned off.**
2. The cable that connects the shelving unit to the mains must exit the wall in the area indicated directly below the upper wall hanging bracket. This will ensure that the unit, when fully fitted, will sit flat to the wall and wiring is not trapped between the back of the shelving unit and the wall (see Fig 6).



3. The connecting mains cable protruding from the wall to the shelving unit must be kept to a minimum length, this will help when concealing excess cable within the shelving unit when unit is fully fitted.
4. Connect the flexible mains supply cable on the back of the shelving unit to the domestic electrical mains supply ensuring that the Live (Brown) conductor is connected to the Live on the domestic electrical mains supply, the Neutral (Blue) conductor is connected to the Neutral on the domestic electrical mains supply and the Earth (Yellow/Green) conductor is connected to the Earth/Ground on the domestic electrical mains supply. **Note: connection of the product to the domestic electrical mains supply must only be carried out by a Building Regulations Part P certified electrician or must be checked by your Local Authority Building Control Department.**
5. Hang the shelving unit onto the upper wall hanging bracket making sure that it is both level

and the lower wall hanging bracket locates into the lower cavity in the shelf unit. The excess mains supply cable should be concealed in the shelf unit, making sure that it is not seen through the frosted area on the front of the mirror when the light is switched on. The plastic top cap may need to be removed, allowing access to the cable whilst the unit is on the wall to position any excess cable from so that it cannot be seen.

6. Insert the Hex head key (provided) into the hole on the plastic bottom cap and turn grub screw clockwise to tighten. This will secure the shelving unit to the wall (see Fig 7).

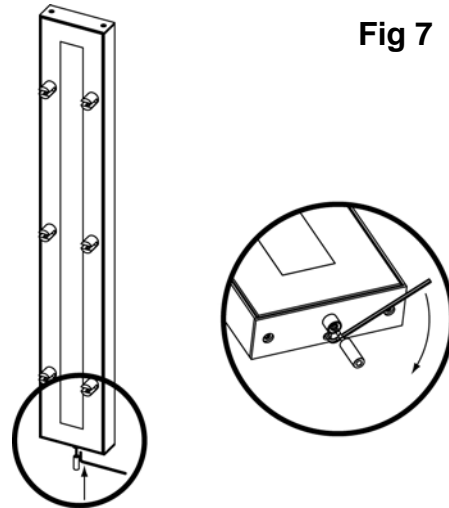


Fig 7

7. Once shelving unit is secure to the wall the glass shelves can be attached. Place top shelf in shelf support brackets and tighten screws (see Fig 8). While one person supports the glass shelf the other should loosen the screws on the shelf support brackets and use a tape measure to measure in 300mm from the edge of the glass shelf to position the shelf centrally and re-tighten screws ensuring that the glass shelf is located fully within the shelf support bracket. Repeat steps for remaining two glass shelves.
8. Switch on domestic electrical supply.

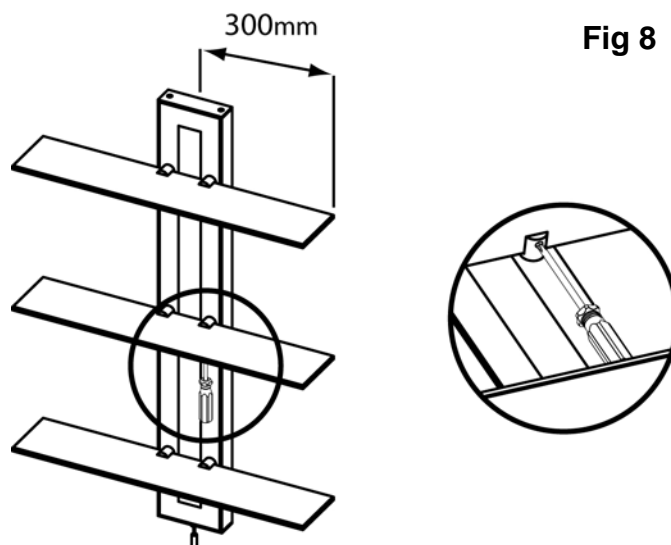


Fig 8

Tube Replacement

CAUTION: The surface of the tube may become extremely hot. Allow at least 30 minutes after tube failure before attempting to replace the tube.

1. **Ensure that the domestic electrical mains supply to which the shelf unit is connected is turned off.**
2. It is recommended that two people remove the shelf unit to ensure that the tube is replaced safely.
3. Carefully remove the glass shelves from the unit and unscrew the grub screw in plastic bottom cap using the hex head key provided. Remove unit from wall.
4. Whilst one person holds the shelf unit the other can remove the six screws on the back cover using a crosshead screwdriver to expose the light unit.
5. Carefully twist the tube through 90° and release from unit.
6. Replace T4 tube by inserting into light unit twisting through 90° to lock in place.

Only use - T4 240V FLUORESCENT 30W TUBE. TUBE LENGTH 750MM (WITH PINS 765MM)

7. Replace back cover making sure the screws are fully tightened and hang unit repeating steps 5-7.

Product Care

To retain the best quality finish, clean product regularly with a soft cloth and mild detergents. Do not use abrasive or chemical cleaners as these will damage the product.

Do not place hot objects onto the surface of the shelves.



This product complies with the requirements of

- European Parliament/Council Directive 73/23/EC the Low Voltage Directive amended by European Parliament/Council Directive 93/68/EEC.
- European Parliament/Council Directive 89/336/EEC on electromagnetic compatibility (EMC Directive) amended by 91/263/EEC, 92/31/EEC and 93/68/EEC.

Applicable Standards with amendments:

BS EN 55-015
BS EN 6154-7
BS EN 60355-1

For details of the other items in the Cdx range please visit our website: www.cdxcollection.co.uk

Croydex Limited, Central Way, Andover, Hants, SP10 5AW, UK.

REVISION 1
MARCH 2006

plumbworld
Big brands, small prices.

Pdf Supplied By <http://www.plumbworld.co.uk/>