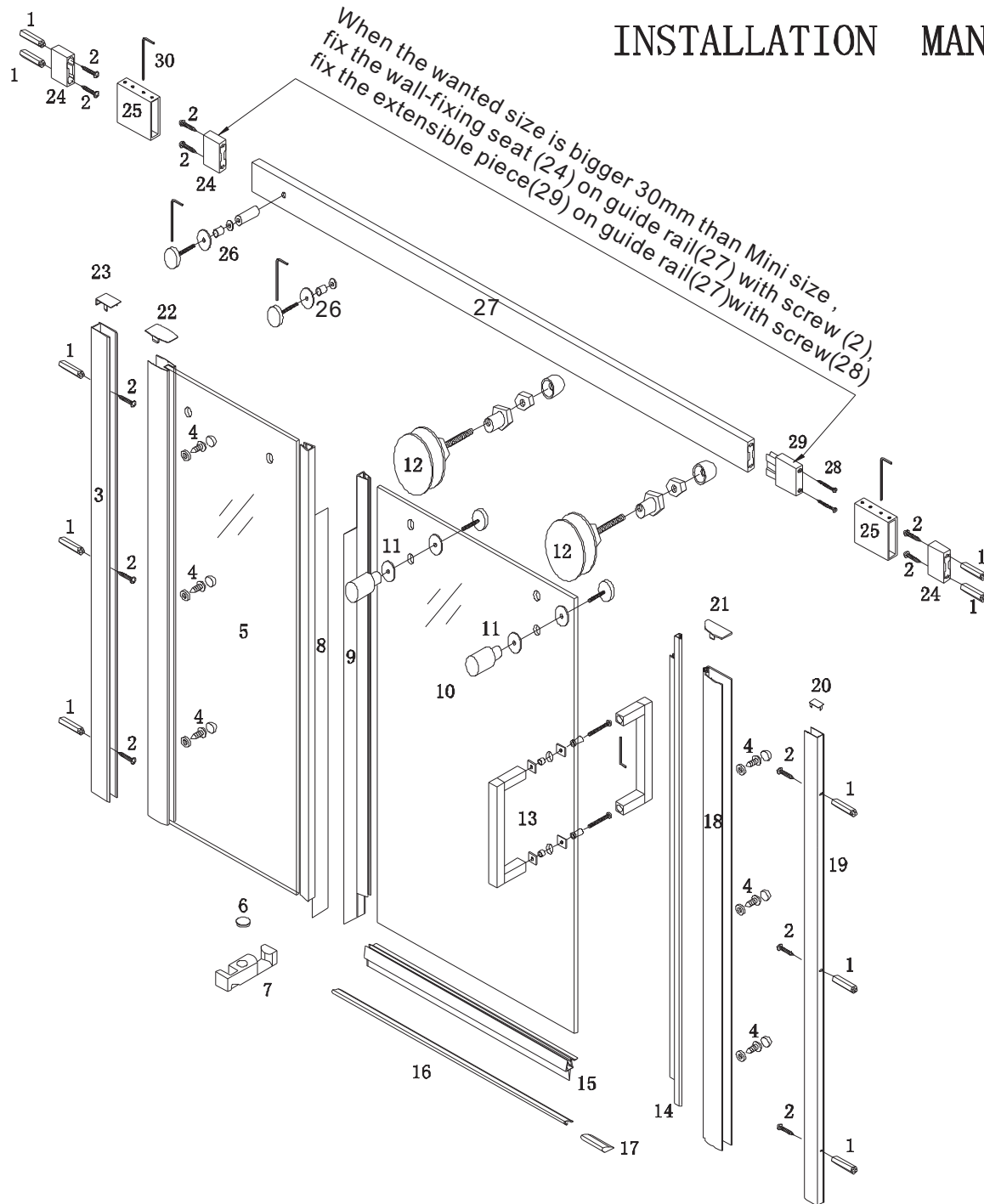
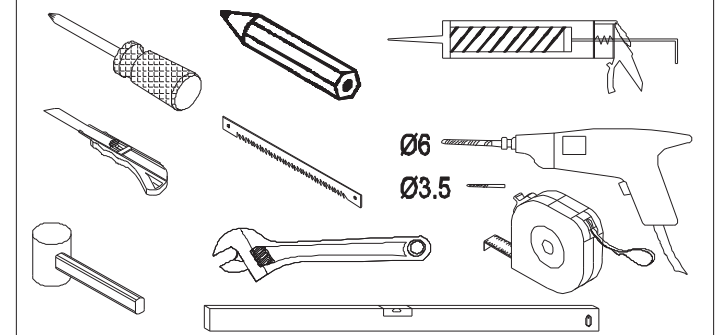
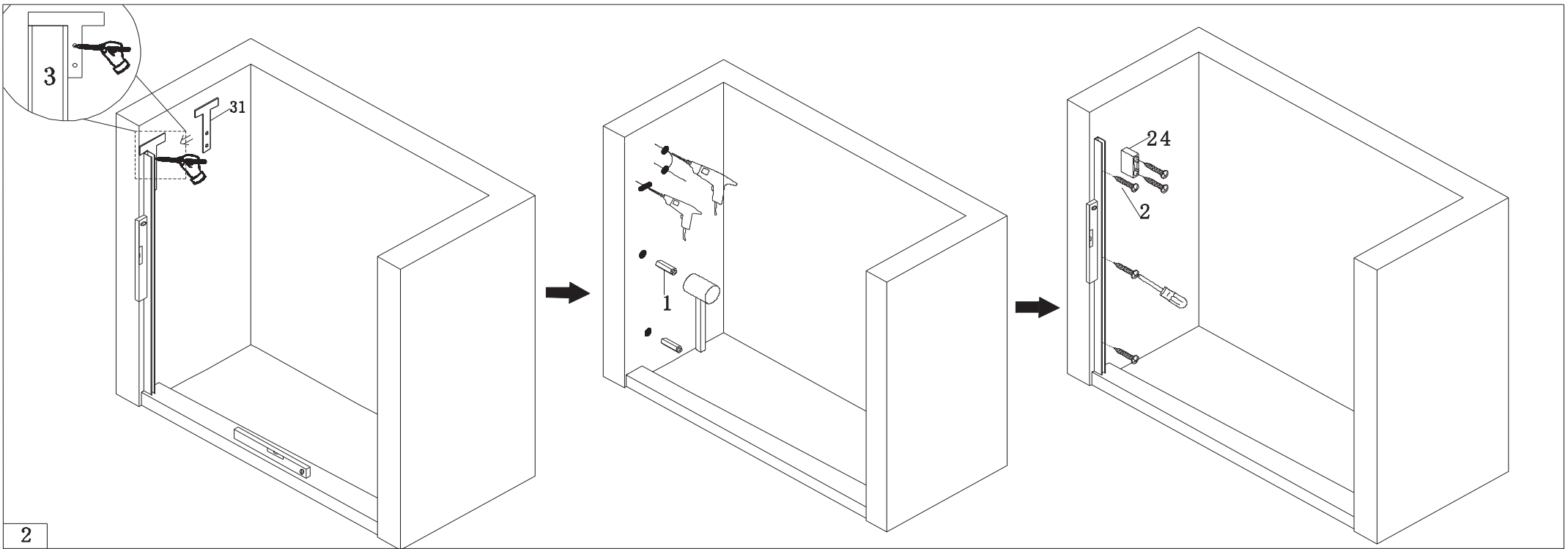


INSTALLATION MANUAL

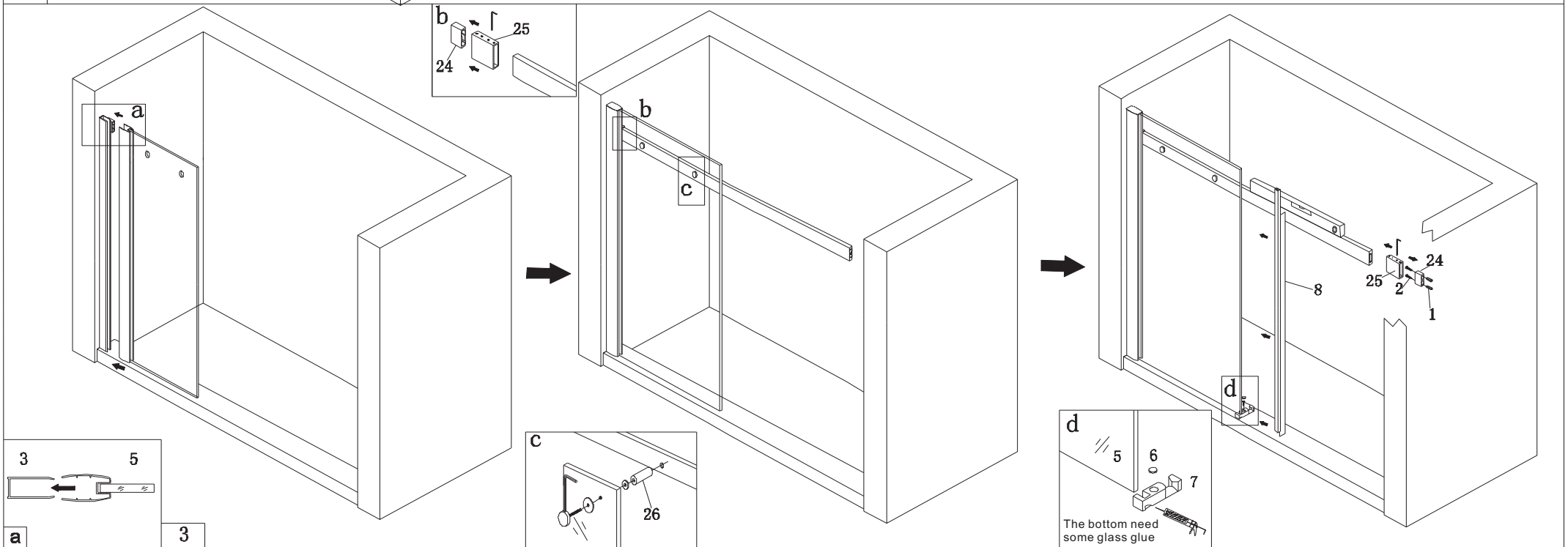


1 10PCS	2 ST4 x 30 12PCS	3 1PC	4 ST4 x 12 6PCS
5 1PC	6 1PC	7 L R 2PCS	8 L R 2PCS
9 L R 2PCS	10 1PC	11 2PCS	12 2PCS
13 1PC	14 1PC	15 1PC	16 1PC
17 L R 2PCS	18 1PC	19 1PC	20 1PC
21 L R 2PCS	22 1PC	23 1PC	24 3PCS
25 2PCS	26 2PCS	27 1PC	28 ST4 x 55 2PCS
29 1PC	30 1PC	31 1PC	Tools:





2



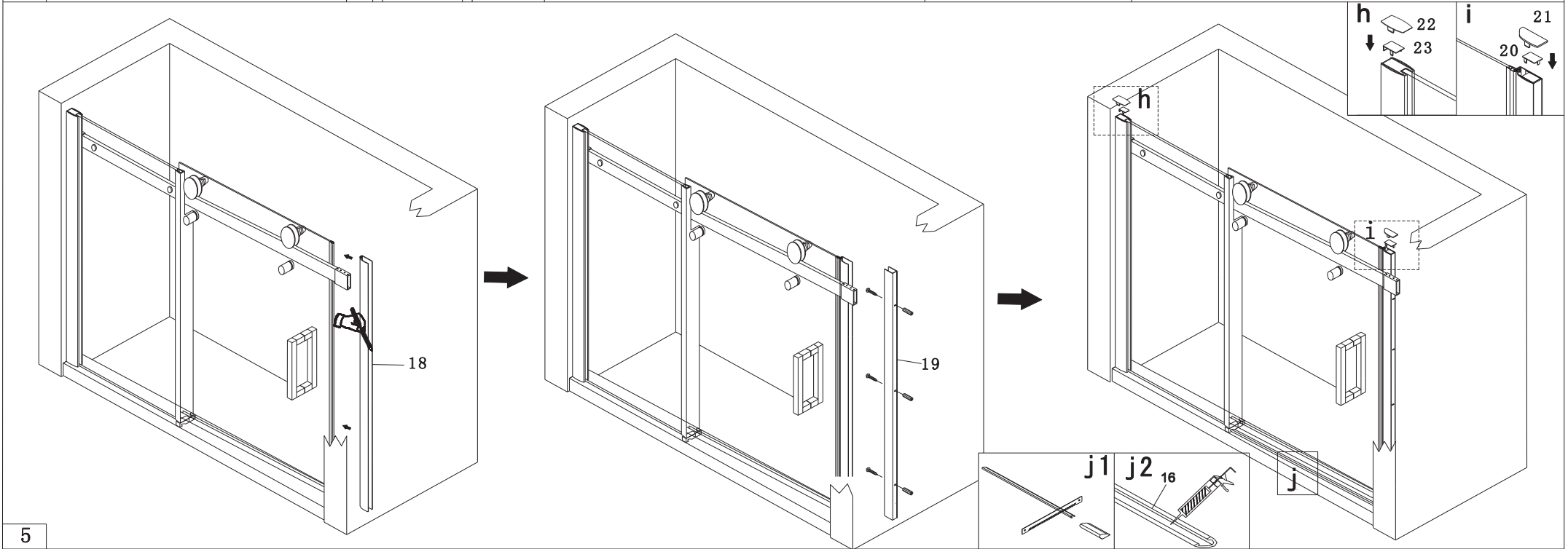
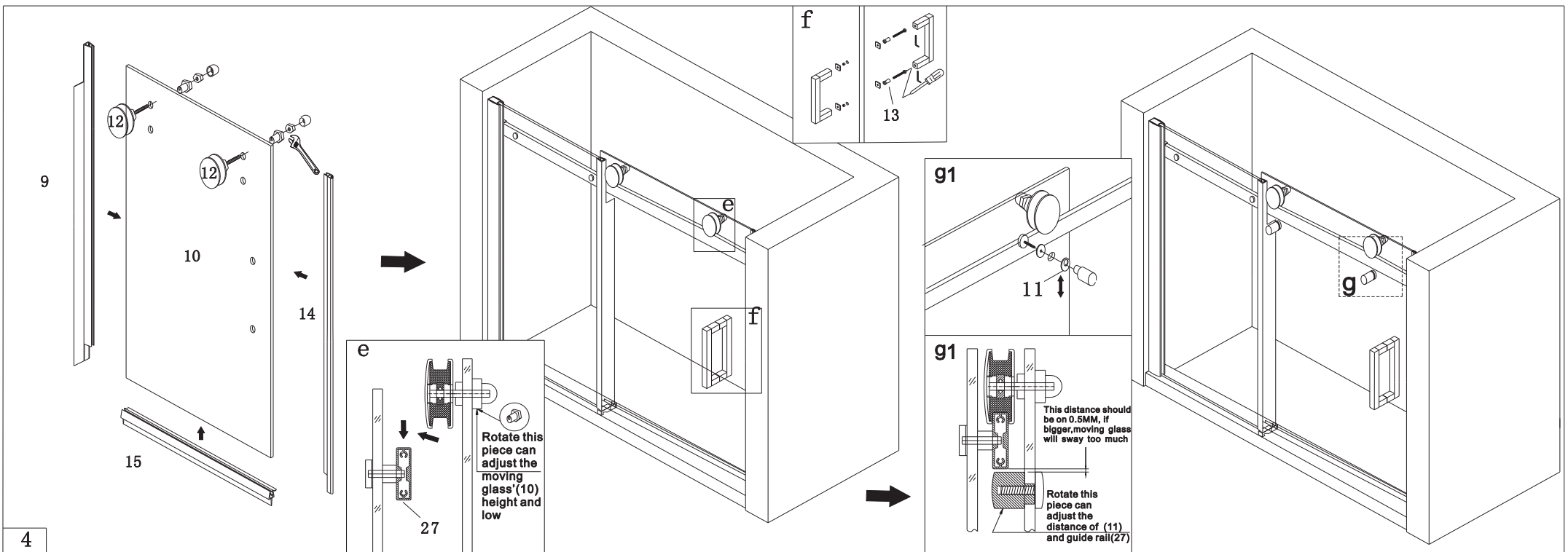
a

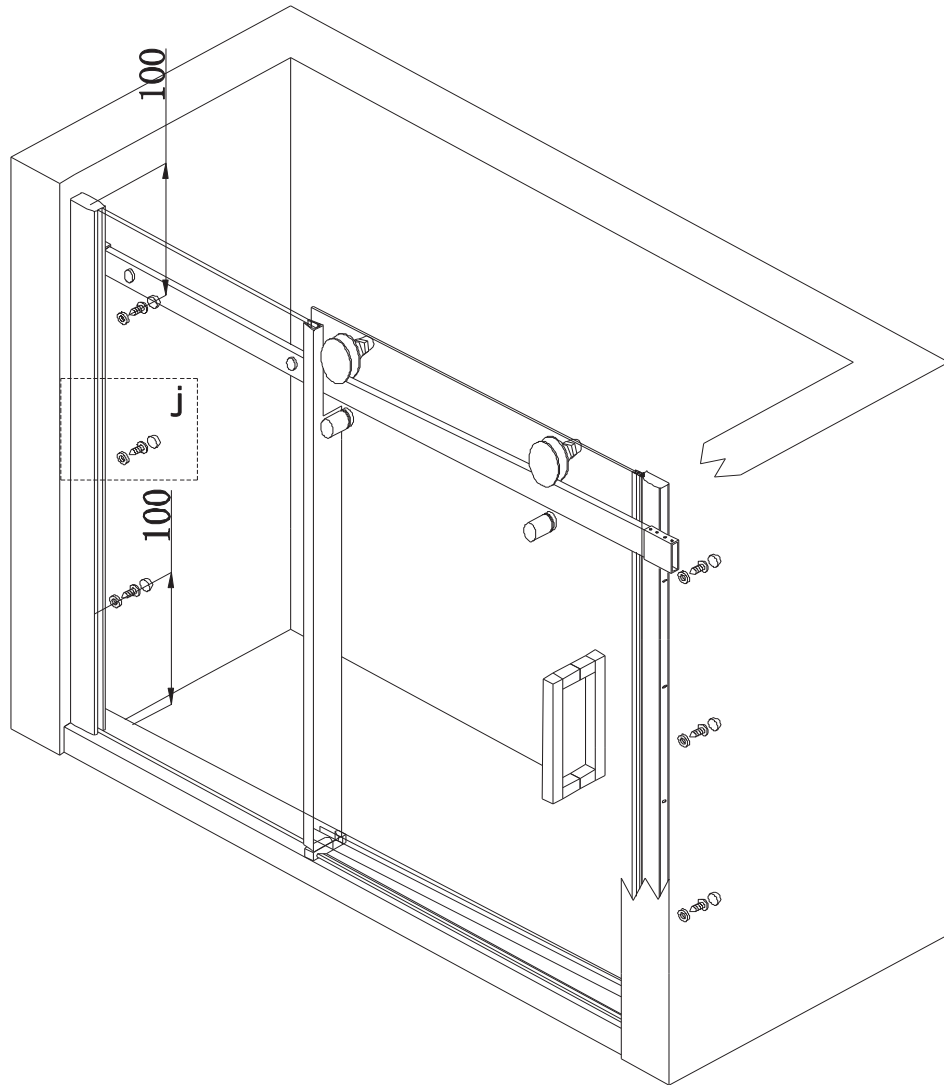
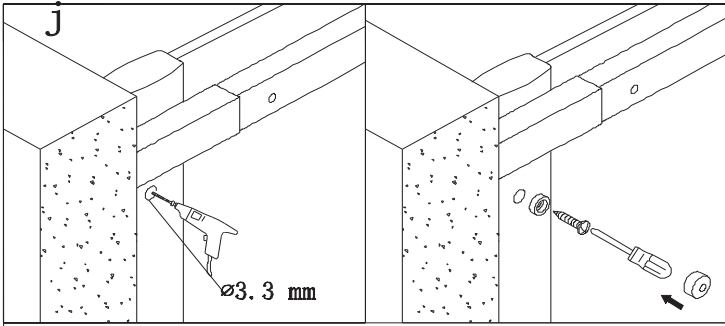
3

c

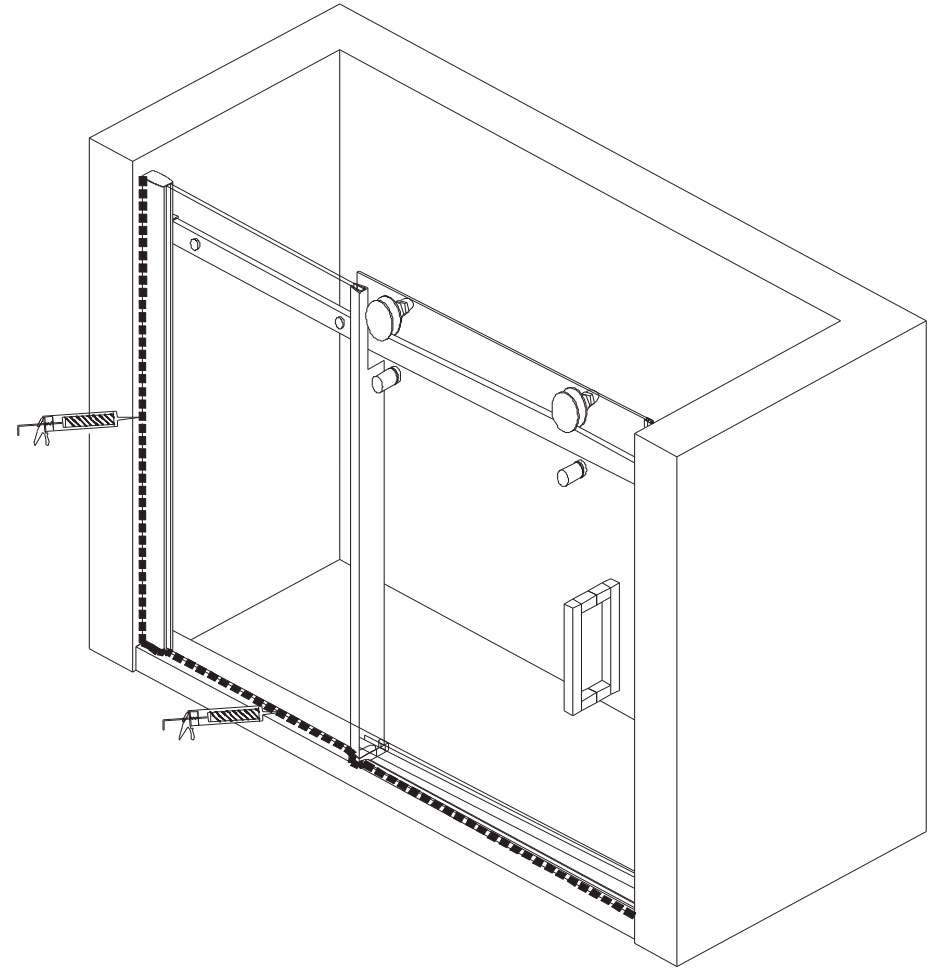
d

The bottom need some glass glue





6



Care Instructions:

Do not use your shower enclosure within 24 hours of assembly . Do not use caustic cleaning products or abrasive material when cleaning your shower enclosure.

7

plumbworld
Big brands, small prices.

Pdf Supplied By <http://www.plumbworld.co.uk/>