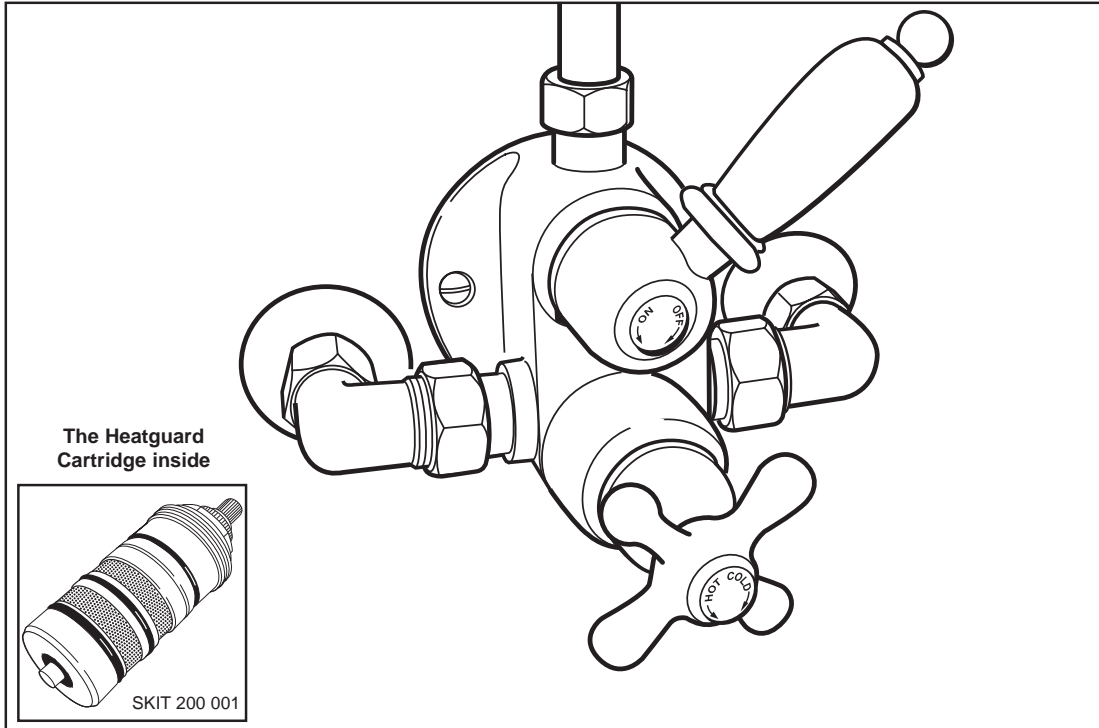


Classic Heatguard ES



The Classic Heatguard ES exposed thermostatic mixer shower with dual controls, available in chrome, gold or mixage finishes.

Product Features and Benefits

- **Thermostatic cartridge** for ease of service.
- **Wax element** thermostatic technology reduces risk of scalding.
- **Stable temperature** management and **quick reaction** to supply change.
- Thermostatic cartridge with **integral sleeve strainers**.
- **High flow rate** of 8 L/M @ 0.1 bar.
- Flow control assured by **long lasting ceramic disc cartridge**.

- ✓ To TMV2 NHS Health Guidance Notes - BS1415 Pt2
- ✓ DN20 check valves on inlets as standard to ensure good flow
- ✓ WRc acceptance pending
- ✓ A full range of fittings and accessories is available

Classic Heatguard ES

Description

Classic style exposed thermostatic mixer shower, available in chrome, gold or mixage finishes. 15mm compression. Suitable for concealed, rising or falling supply pipework. Installation template provided.

Product Range

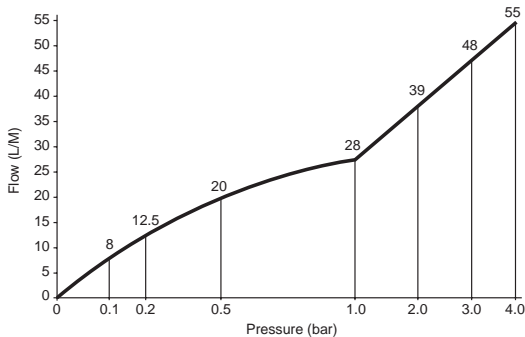
THRM 100 520 - Antique gold finish
 THRM 100 530 - Mixage finish
 THRM 100 540 - Chrome finish

Applications

Low and high pressure shower, suitable for use with all domestic hot water systems, eg combis, unvented and gravity fed.

Performance

Classic Heatguard ES Flow Rates (L/M)



Pressure (bar)	0.1	0.2	0.5	1	1.5	2	2.5	3	4
Flow (L/M)	8	12.5	20	28	34	39	43	48	55

open outlet

Materials

Base valve body - brass OT59.
 3/4" flow control cartridge - high quality ceramic disc and brass actuator, quarter turn.
 DN20 WRc approved check valves.
THERMOSTATIC CARTRIDGE
 Strainers - stainless steel (300 microns).
 Seals - NBR.
 PTFE coated shuttle and fast response wax element.
 Cartridge turned parts brass CW614N.

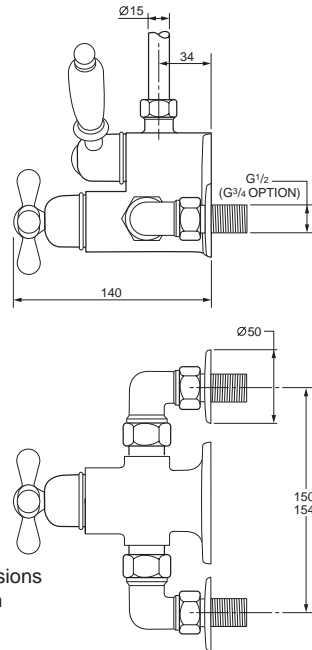
Standards

TMV2 NHS Health Guidance Notes - BS1415 Pt2, EN1111, EN1287, ISO 228

Guarantee

Two year manufacturers warranty - please refer to the policy document for more details.

Dimensions



Specifications

Temperature, hot supply 60°C* - 85°C
 *10°C higher than user set temperature is needed to actuate shutdown of flow in cold water failure.
 Temperature, cold supply 5°C - 25°C
 User temperature range Ambient - 50°C
 Factory temperature calibration 38°C at 2bar
 Temperature stability (nom.) ± 2°C

Operating pressure 0.1bar (8L/M) - 5bar
 Static pressure Max. 10bar
 Operating pressures should be kept as balanced as possible to ensure maximum efficiency. If the differential is >5:1 fit a pressure reducing valve.

15mm compression outlet, 15mm compression inlet.

How to Specify

Thermostatic exposed mixer shower, to TMV2 NHS Health Guidance Notes, classic style, dual control, with wax element single piece thermostatic cartridge with integral strainers. (Include correct product range code).

Contacts:	Sales Enquiries	Technical Support
Telephone:	+44 (0)1386 712400	+44 (0)1386 41748
Fax:	+44 (0)1386 47028	+44 (0)1386 422217
E-Mail:	sales@rwc.co.uk	technical@rwc.co.uk



Reliance Water Controls
 Worcester Road, Evesham, Worcestershire, WR11 4RA, UK
 Tel: +44 (0)1386 47148 Fax: +44 (0)1386 47028 www.rwc.co.uk



plumbworld
Big brands, small prices.

Pdf Supplied By <http://www.plumbworld.co.uk/>