

STEAM SHOWER CABINS

Malindi II „Duo“

GB

Assembly Instructions Directions for Use

Summary of Steam Showers		Type / Item.No.
Malindi I Single	22003
Malindi I Single Thermostat	22007
Malindi II Duo	22004
Malindi II Duo Thermostat	22009
Malaika Steam	22002
Malaika Steam Thermostat	22008
Eden I Single	22005
Eden I Single Thermostat	22010
Eden II Duo	22006
Eden II Duo Thermostat	22011

Contents	Page
1. General Information	3
2. Assembly / Installation	4
2.1 Summary (of Large) Elements	4
2.2 Small Parts	5
2.3 Tools	5
2.4 Connection Dimensions	6
2.5 Condition of Base	6
2.6 Water Installation	6
2.7 Electrical Installation	6
2.8 Shower Installation	7
2.9 Water Connection	12
2.10 Electrical Connection	12
3. Operating Instructions	13
3.1 General Instructions	13
3.2 Mechanical Operation	13
3.3 Electronic Functions	13
4. Cleaning and Care	16
5. Warranty Services, Service	16
6. Recycling	16

1. General Information

1.1 Introduction

Congratulations on the purchasing of your new steam shower. The device features a new kind of design and the functions have been developed in accordance with the physiological requirements of the human body. The following instructions are intended to make installation and operation easier for you.

If you follow all of the instructions, your shower will function perfectly.

The safety instructions are also very important, and you must follow these.

ATTENTION: IMPORTANT!



Please inspect the entire delivery for completeness and any damage from transportation soon after purchasing. Please do not use any damaged individual parts or damaged accessories. Please do not worry if in individual cases there is still some water in the system. This is from the final checking of the product and has no damaging influence whatsoever.

The original packaging material should only be removed once the shower cabin has been successfully installed. The warranty can only be guaranteed if the new, but possibly damaged product is returned in the original packaging.

Please make sure that you read these instructions **before assembly** and keep them safe afterwards.

The assembly and installation must only be carried out by experts – plumbing installer + electrician!



Requirements for Connection:

A) The steam shower is exclusively intended for use in private households (i.e. not for public amenities, hotels etc ...)

B) Water Installation: Water Pressure: Minimum: 1.5 bar, Maximum: 5 bar

C) Electrical Installation: 230V, 50 Hz, separate circuit, 3.2 kW, fuse: 16A,

Residual Current Circuit Breaker FI =/ < 30mA.

Cable: 3 x 2.5 mm² (L: black or brown, N: blue, PE: green/yellow).

Connection in the connection socket on the back of the cabin.

The specific execution of the electrical connection is always specified by the electrician.

During Assembly:

After the assembly of the cabin, but before the final connection, please make sure that you check the entire system for leaks and if necessary seal any leaking connections (screws may have come loose during transportation).

All parts of the main body, such as rear walls, side walls, shower basin, ceiling, aluminium frame etc. must always be sealed with plumbing SILICON during assembly – before each respective part is screwed on!

Please note that the plastic parts can be scratched very easily during assembly. Protective Measures: e.g. place blankets in shower basin.

The manufacturer reserves the right to:

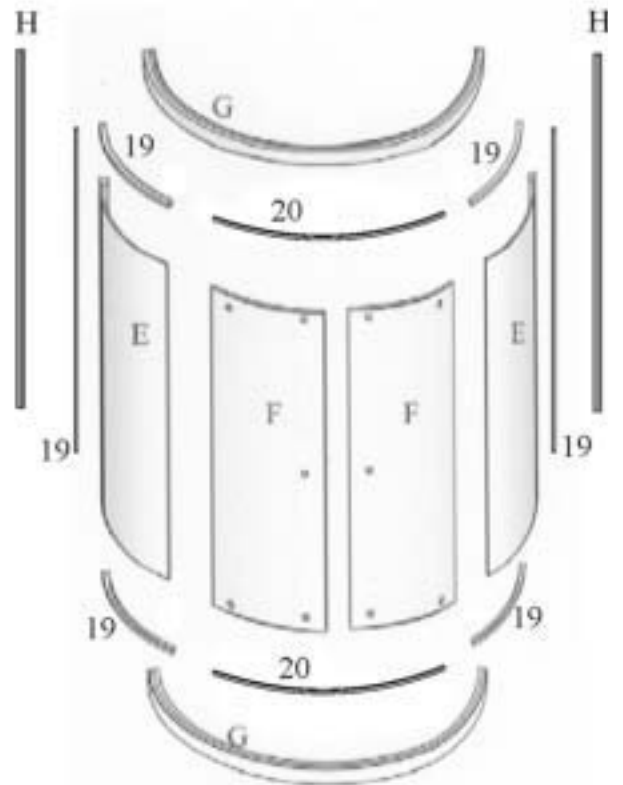
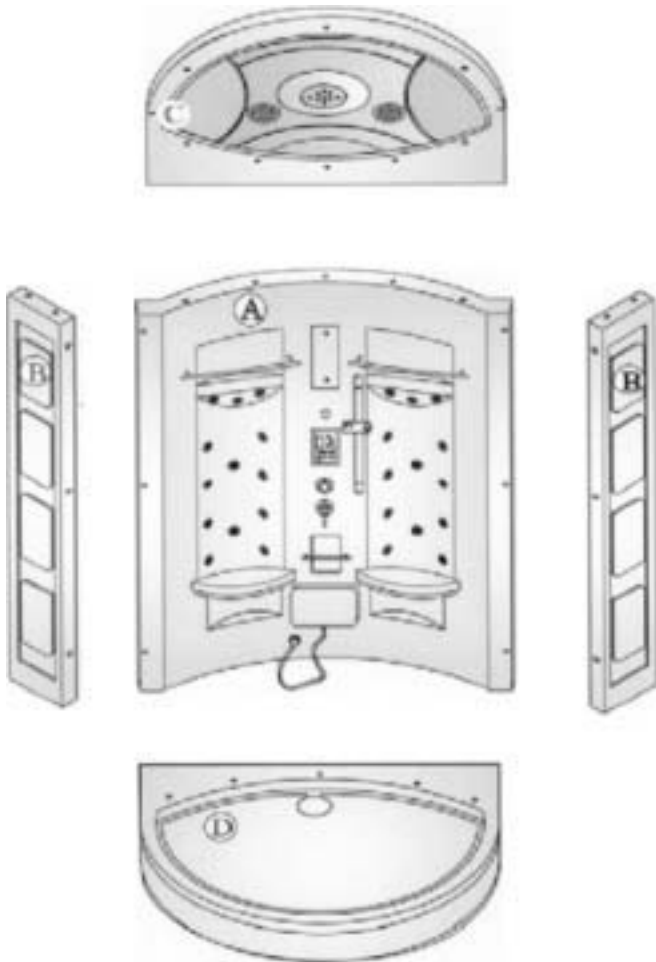
Slight differences in the portrayals in the assembly instructions and directions for use.

Delivery of the latest respective replacement parts (which may in individual cases differ slightly in design from the original). Technical alterations in the product and errors within these instructions.

The manufacturer reserves the right to regularly revise and supplement the present specifications without individuals being notified of such changes.

2. Assembly and Installation

2.1 Summary of "Large" Elements



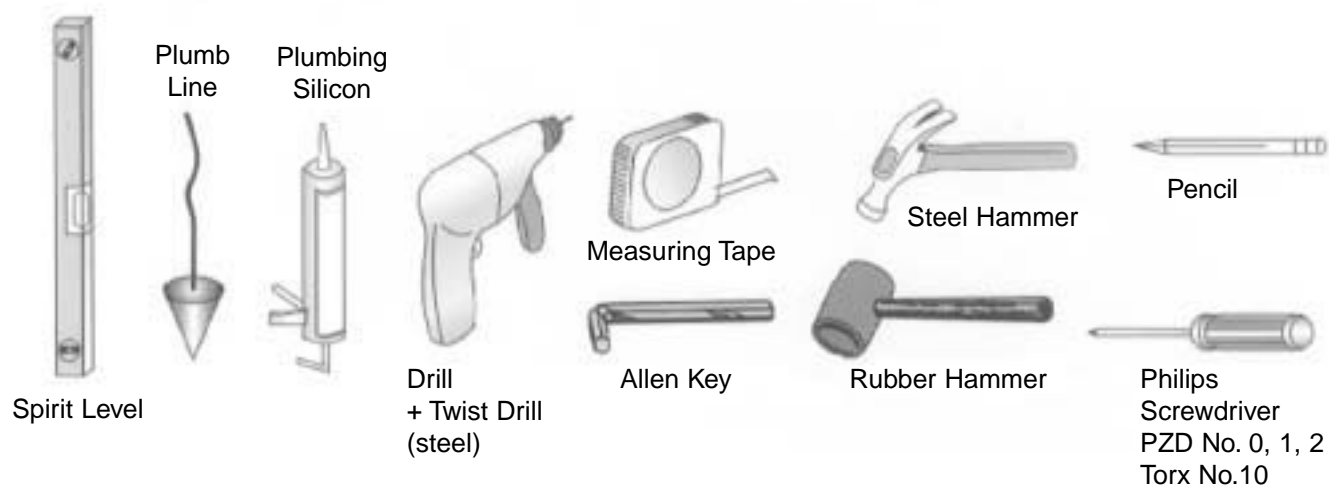
A	Rear Wall	1 x
B	Side Wall	2 x
C	Ceiling	1 x
D	Shower Basin	1 x

E	Fixed Glass Wall	2 x
F	Sliding Glass Door	2 x
G	Guide Rail	2 x
H	Vertical Aluminium Profile (between Rear wall and Glass Walls)	2 x

2.2 Small Parts / Accessories / Profiles

1		Door Hinge Cushion left / right	4x+4x	13		U-Washer 4,3	18 x
2		Screw 3.9 x 10 for Door Hinge Cushions	8 x	14		Screw 3.9 x 20	14 x
3		Door Handle	2 x	15		Screw 3.9 x 12	4 x
4		Door Roll (preferably already mounted)	8 x	16		Screw 3.9 x 16	8 x
5		Head of Hand Shower	1 x	17		Screw 3.5 x 25	8 x
6		Shower Hose for Hand Shower and Foot Shower	2 x	18		(Short) Joints for H	4 x
				19		Glass Pane Sealing Profile, short yard goods, transparent, long	4 x 2 x
8		Hexagonal Screw M6x 20	18 x	20		Guide Rail Filling Seal	2 x
9		Nut M6	18 x	21		Door Sealing Profile with Splash Protection Sealing Lip	4 x
10		Washer D 6.4	36 x	22		Magnetic Profile left	1 x
11		Middle Rail, bottom (preferably already mounted)	1 x	23		Magnetic Profile Right	1 x
12		Middle Rail, top (preferably already mounted)	2 x				

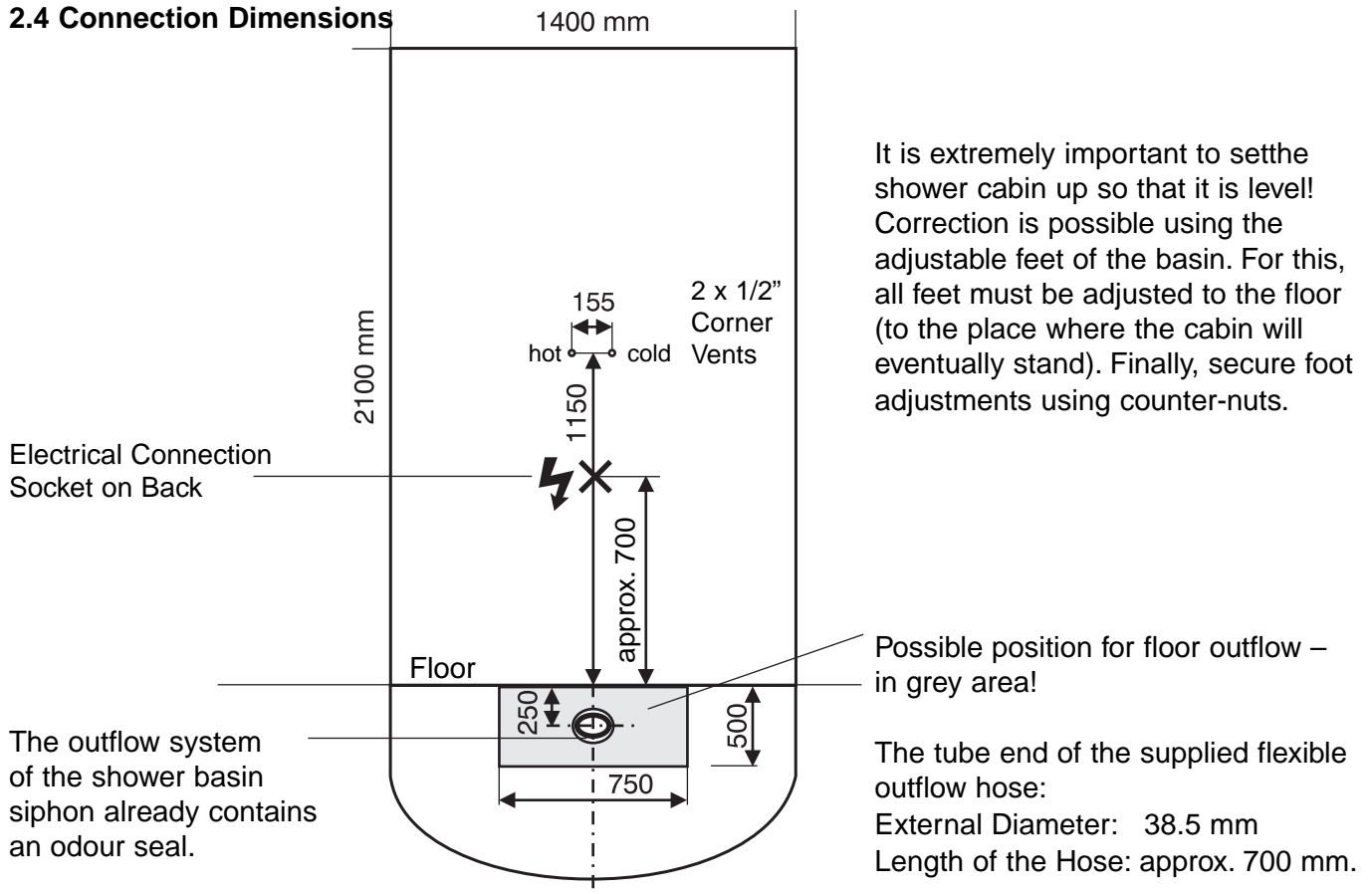
2.3 Tools



Electric Screwdriver
(for working quickly)

Assembly

2.4 Connection Dimensions



2.5 Condition of the Base

The floor surface should be as even as possible and possess the necessary firmness. Coating: water- impermeable – tiles or plastic covering. A water-proof border on the vertical wall (height approx. 10 cm) is strongly recommended. We also recommend that an additional (safety) water outflow is installed in the area of the shower basin.

2.6 Water Installation

Flexible hoses are used for the warm and cold water connection of the shower cabin, so that millimetre-precise installation of the water feed pipes is not necessary. This means that the connection can often be made to an existing installation without tile-work being necessary.

The water pipes on the rear side of the steam cabin are sealed by the manufacturer and must under no circumstances be removed by the customer. The flexible hoses for the connection to the house water pipe must under no circumstances be crushed or kinked.

2.7 Electrical Connection ⚡

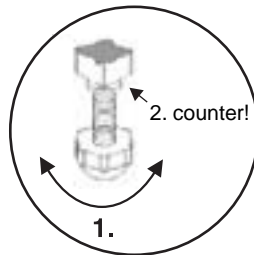
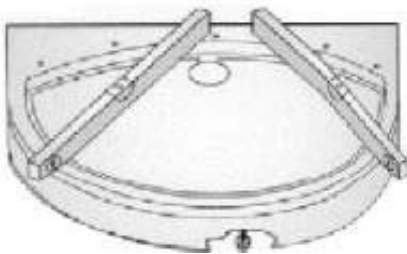
The connection must only be made by an electrician! Observe the presently applicable electro-technical regulations: D: VDE 0100 ..., VDE 0100, Part 701, A: ÖVE-EN 1 Part 4 § 49 ..., CH: HV 43.440.3 ...and/or the applicable national regulations of the respective country. In this, please note the different safety areas within and outside the shower. There may here be bans on switches, plug sockets, sockets..., lights may have to have at least the minimum safety level IP X4. Please seek advice from your electrician.

The mains connection of the shower must correspond to at least IP X4.

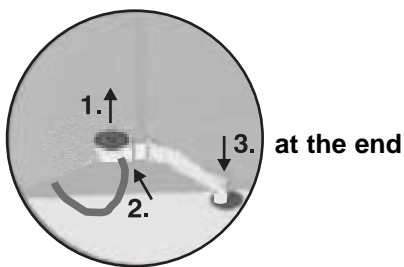
Allow for mains connection up to height of internal mains connection socket (picture above) plus approx. 1m piping (cabin must be connected from behind, i.e. at a distance from the wall – applies to both electrical connection and water connection).



2.8 Shower Installation



Arrange the shower basin horizontally in the final position by adjusting the feet (see also Page 6) and “pull forward” again for further assembly.

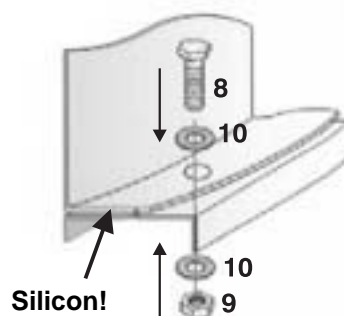
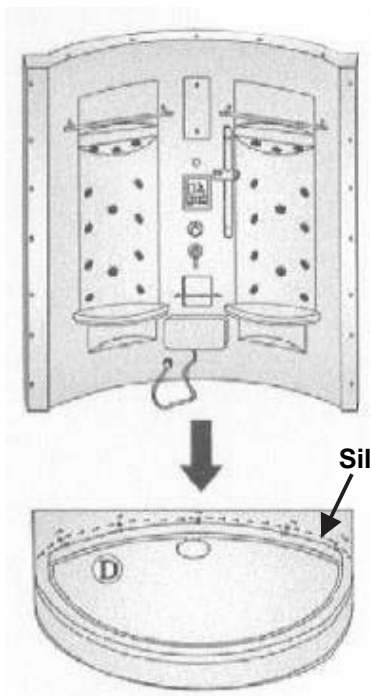


1. Check that the siphon (with the flexible outflow hose) is firmly attached to the shower basin.
2. After assembly of the rear wall (picture below), connect steam generator hose to side of siphon (hose clamp!).

3. Preferably at the end of all the assembly work:
Insert flexible outflow hose into floor outflow (sealing!)

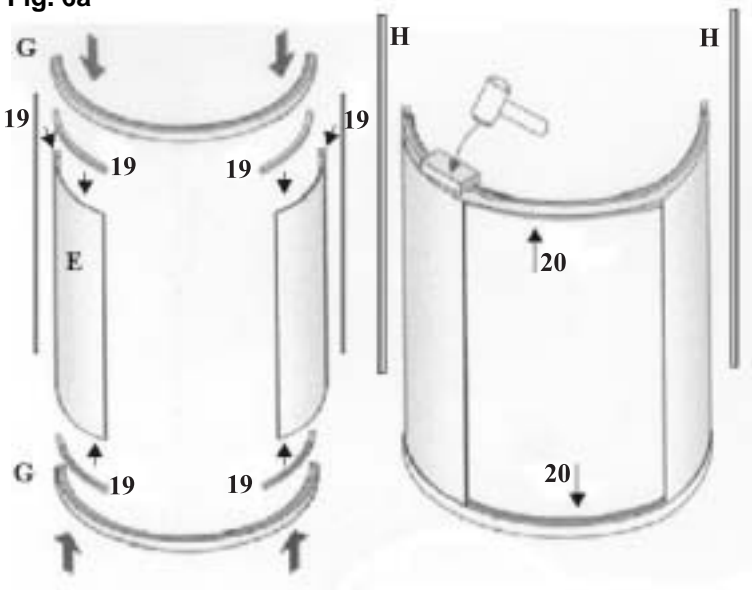


Never suspend rear wall on hoses or armatures!



Assembly

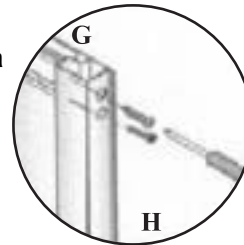
Fig. 6a



Lay guide rail G flat on the floor. Now place the sealing profile 19 on both front sides and one long side of the glass panes E and shorten the projecting ends using the scissors / knife. In order to facilitate sticking-together afterwards, apply some silicon spray / soap solution onto the profile from outside. You can now join the whole structure together – as shown here.

Now connect the two guide rails G with the vertical aluminium profiles:

Fig. 6a



each 2 x
Screw 17
3.5 x 25

Then insert the guide rail filling seals 20 above and below.

Now screw the side walls onto the big back wall and the “glass part” (screw into the vertical aluminium profile): Fig. 7a.

Now connect the whole construction to the base (shower basin): Fig. 7b
Don't forget to use silicon!

Fig. 7

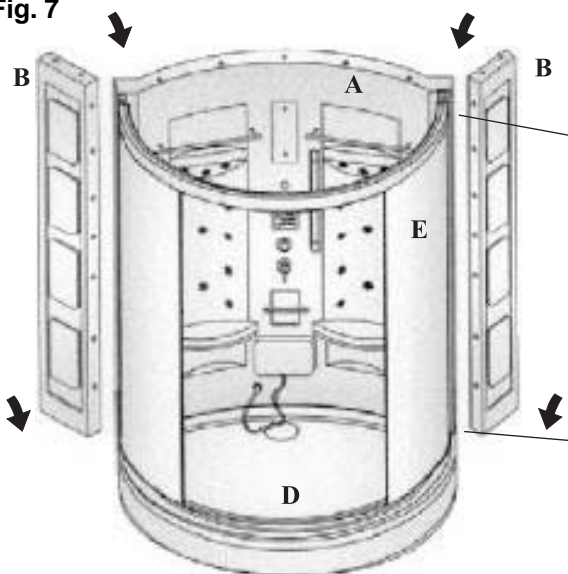
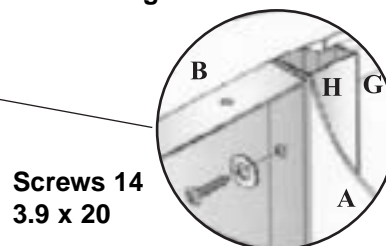
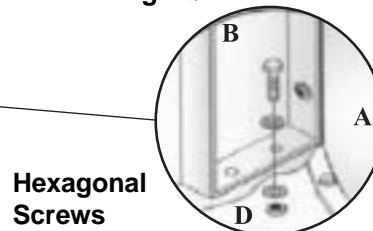


Fig. 7a



Screws 14
3.9 x 20

Fig. 7b



Hexagonal
Screws
8,9,10

Silicon!

Then place the ceiling construction C on the cabin and align it so that all the drill holes are lined up. Then fasten the back part with hexagonal screws ... (8,9,10) and the front part with screws 4.2 x 12 + U-washers (13, 15 Fig. 10).

Silicon!

Fig. 8

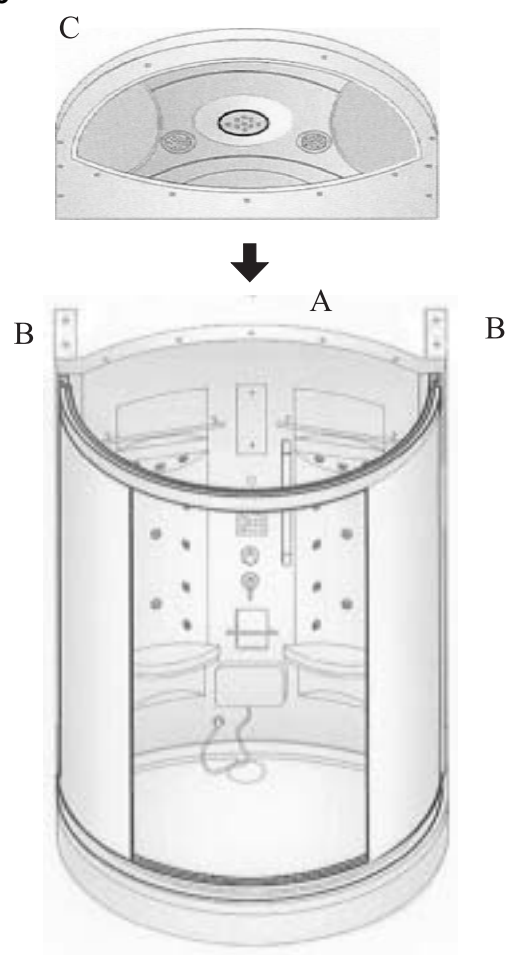
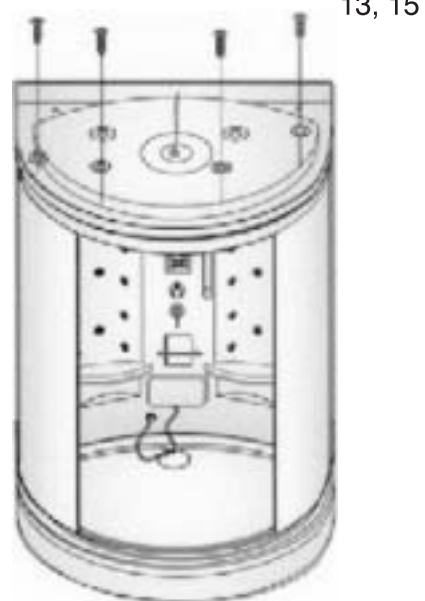


Fig. 9



Fig. 10



Assembly

Equip doors with profiles **before attaching**:

Fig. 11a: Place magnetic profiles on vertical door edges in the middle (note asymmetry of the profiles!).

Fig. 11b: Put sealing profiles with splash protection sealing lips on sliding doors F and fixed glass walls E.

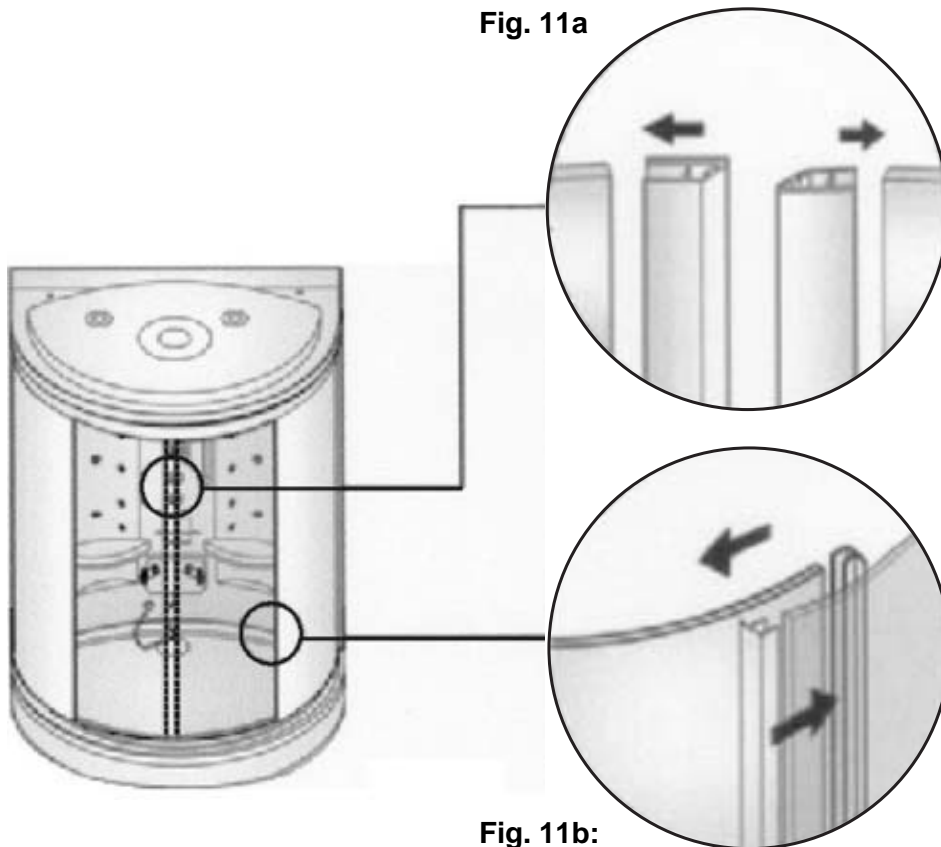
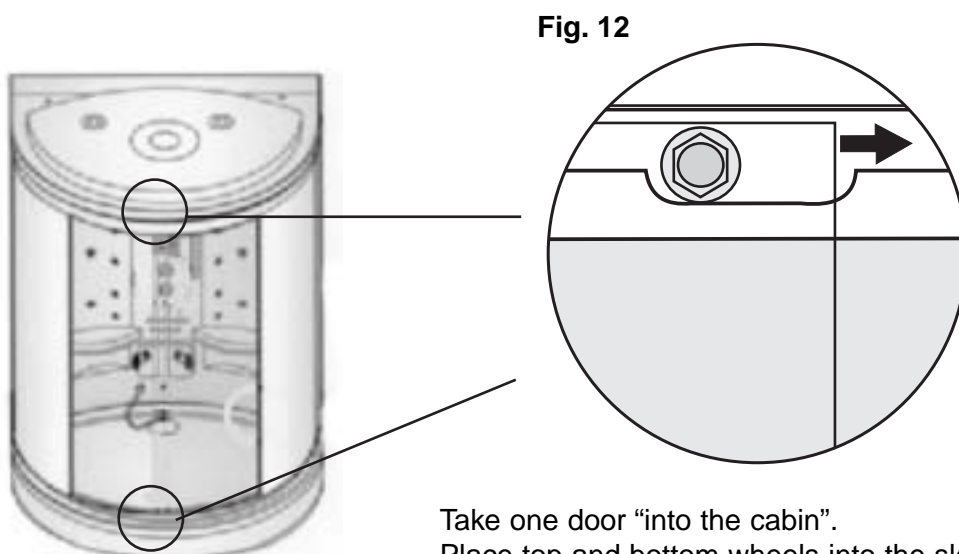


Fig. 11b:



Take one door "into the cabin".
Place top and bottom wheels into the slots on the frame profile simultaneously and "thread" door in.
Then do the same with the second door.

Assembly of the Door Hinges:

To do this, bring the doors into a “central position” and screw on the hinges as shown in the pictures.

Fig. 13 Top, middle
(bottom same)

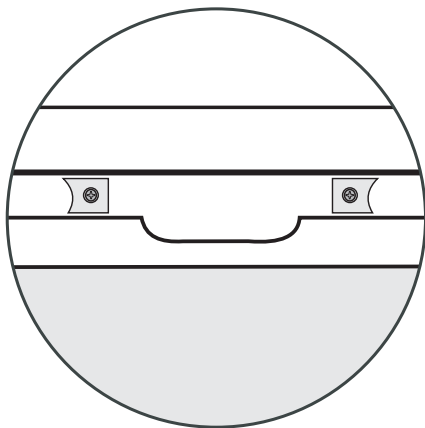
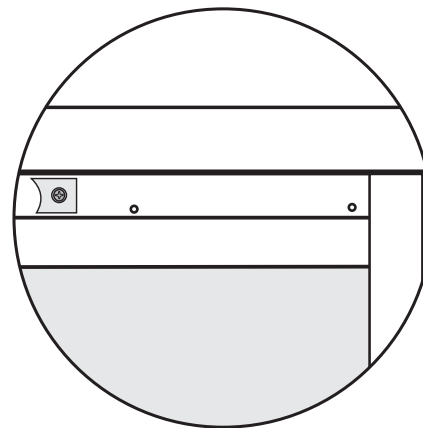
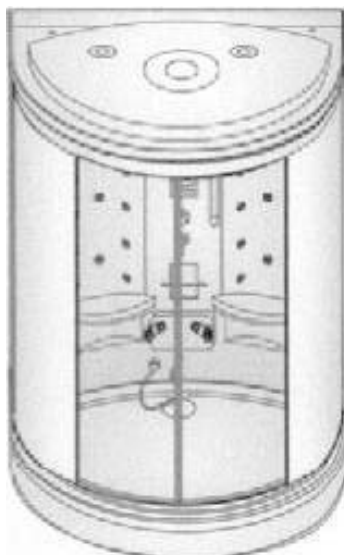
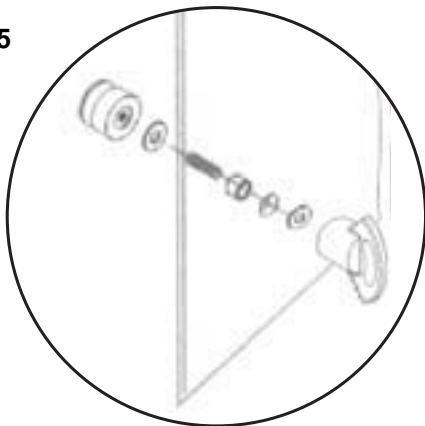


Fig. 14 Top, right + left
(bottom same)



Assemble handles

Fig. 15



Please now check functioning of the doors with magnetic seals (profiles), door hinges and sealing lip profiles.

The design of the door rolls allows adjustment of the doors (parallelism). To do this, remove protective cap, loosen counter-nuts and twist eccentric tappet (plastic part) (pliers or open-end wrench SW 14 – as provided). Then tighten the counter-nut again and put on protective cap.

Finally: seal the remaining wall connections and joints with plumbing silicon (from outside).

Silicon!

Assembly

2.9 Water Connection

Perform all connections according to these diagrams.

Attention!

Not all pipes are firmly connected for transportation. Please carefully test that all connections are firm, and tighten further if necessary!

Fig. 16

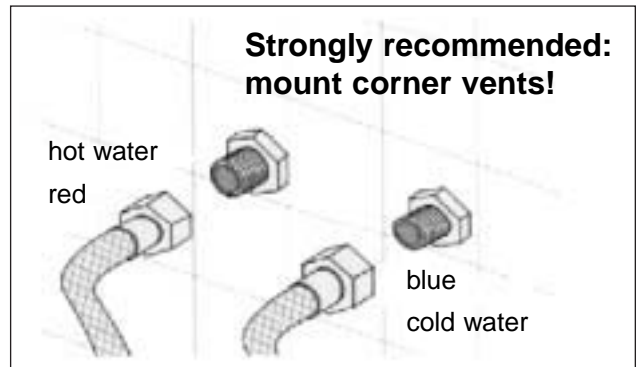


Fig. 17 Back of Steam Shower:

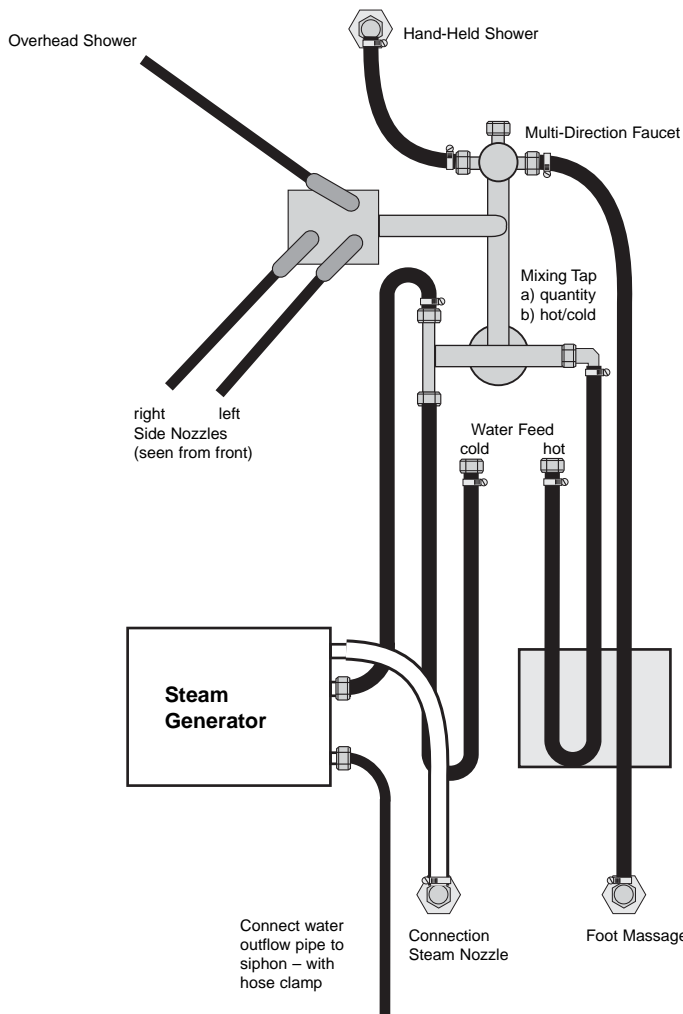
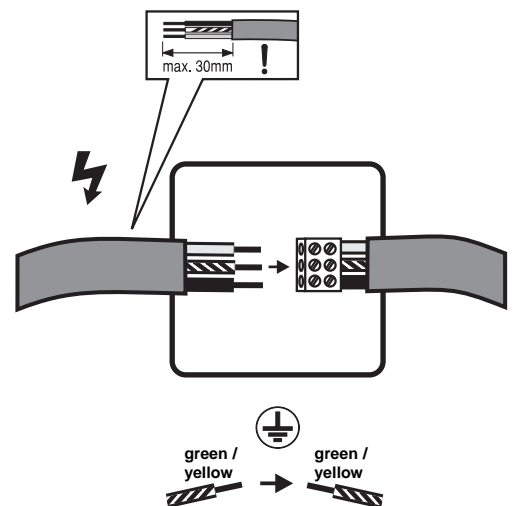


Fig. 18



2.10 Electrical Connection

Make internal connections (incl. wires of the ceiling construction) taking note of the corresponding markings (wire ends). Make sure that no wires are crushed and that plugs click properly into place. Make network connection (connection socket on back wall of cabin).

Connect mains ground wire green / yellow with ground wire green / yellow of the shower.

Carry out potential equalisation in accordance with the specific national regulations.

Additional audio connection: extend wire with connecting terminal "CD" to "out", if additional connection to an external audio source (e.g. CD player) is planned.

3. Operation

3.1 General Instructions

Children should not use a steam shower cabin without supervision. An adult must always be present.

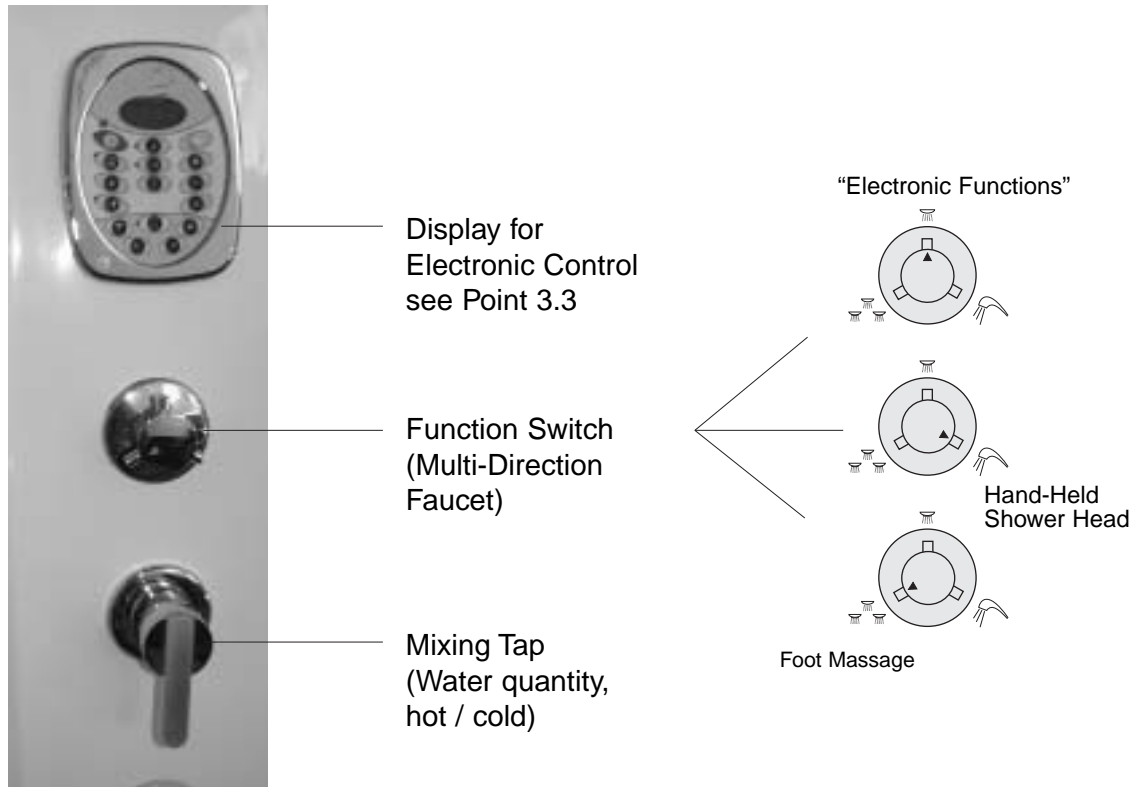
Always switch the power off after use (main switch to "off").

If you are going to be away for a longer period, it is recommended that you shut off the water.



3.2 Simple "Mechanical Operation"

Fig. 19



Water temperature and water quantity can be adjusted with the one lever mixing tap as is common (also applies to "Electronic Operation").

With the multi-direction faucet (directly below the display unit):

- a) Arrow to the right: Hand-Held Shower Head
- b) Arrow to the left: Foot Massage
- c) Arrow up: switching-in of the electronically controlled functions

If someone in the family dislikes electronic controls / displays, then a full shower is still possible with traditional operation thanks to a and b.

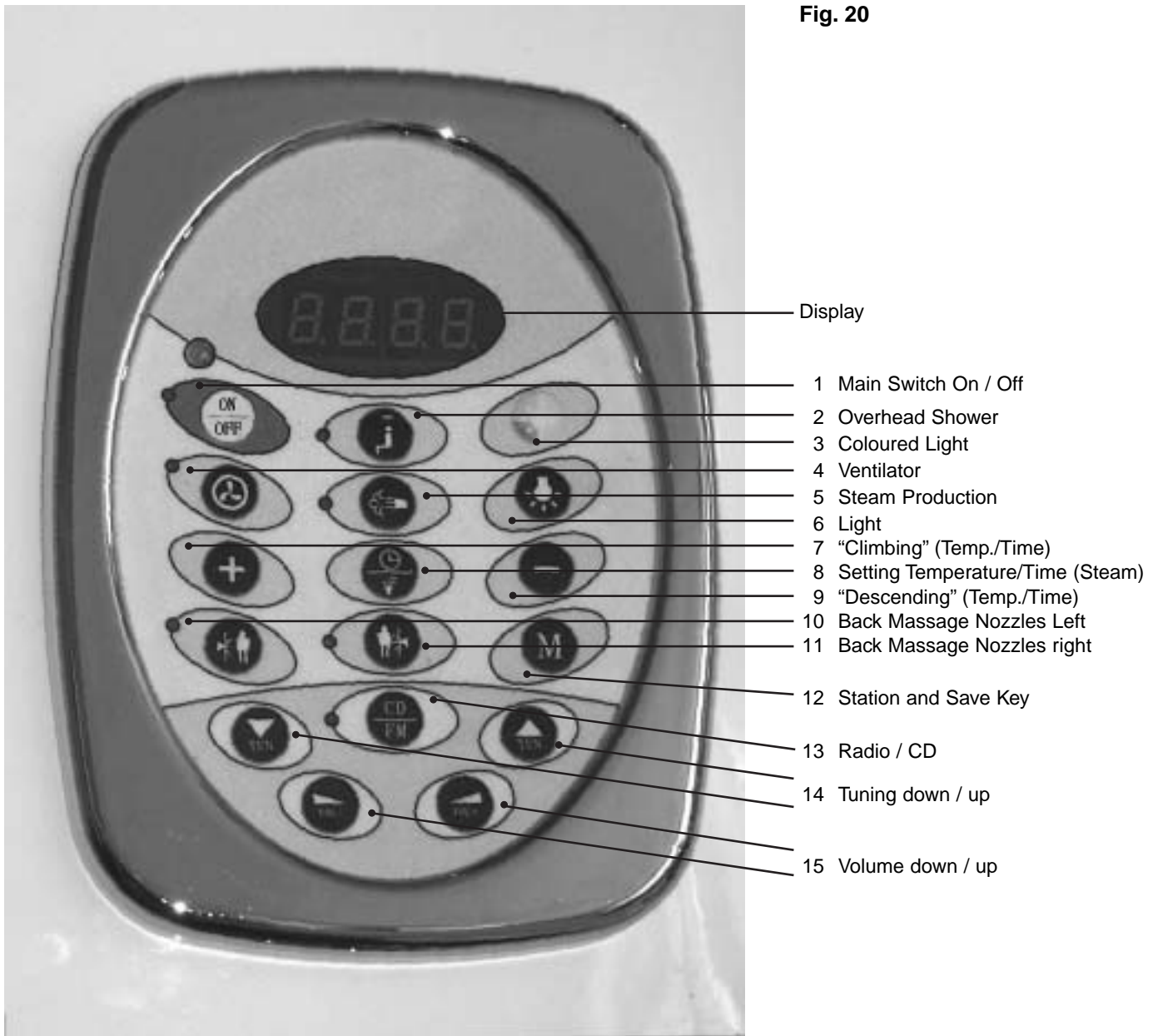
Thermostatic valve usage, Please see point 3.2a

3.3 Electronic Functions

Providing complete functionality:

Multi-Direction Faucet: Arrow pointing upward, flick main switch in display (on/off). All functions can now be called upon here. The following can also be used: hand-held shower head (arrow to the right) and foot massage (arrow to the left).

Fig. 20



- Display
- 1 Main Switch On / Off
- 2 Overhead Shower
- 3 Coloured Light
- 4 Ventilator
- 5 Steam Production
- 6 Light
- 7 "Climbing" (Temp./Time)
- 8 Setting Temperature/Time (Steam)
- 9 "Descending" (Temp./Time)
- 10 Back Massage Nozzles Left
- 11 Back Massage Nozzles right
- 12 Station and Save Key
- 13 Radio / CD
- 14 Tuning down / up
- 15 Volume down / up

The functions of this menu become accessible with the flicking of the **Main Switch (1)**. The present cabin temperature is shown on the display.

Lighting Functions:

- a) Standard Illumination: on/off with Key 6
- b) Coloured Light: Variant 1: press key 3: on, keep pressed down: change in colour each time
Variant 2: Key 3 on, off, wait 5 seconds, on again: automatic colour change

Shower Functions: are activated with the keys 2, 10, and 11.

Steam Function:

Please note that the steam exiting temperature is approx. 98°C .
Direct contact can lead to scalds!

One must always keep an appropriate safety distance (approx. 20 cm)!

Children may only use the steam shower if supervised. Older, frail people should take particular care. Although the steam shower is rather beneficial for health, people with heart or circulatory illnesses should consult their doctor.

Before the start of the steam programme, please check whether the steam outlet opening is in the right position, i.e. the position you want – twist if necessary (never during the steam programme!).

Start: “Steam production” is started with Key 5. With Key 8, one can switch between the cabin temperature and the duration of the “steam session”.

Both can be set with Keys 7 (up) and 8 (down). The maximum possible cabin steam temperature is 45°C, the maximum duration 99 minutes (basic setting: 30° / 45 min). Please note that the achieving of the selected temperature is of course delayed if the room temperature is low. A room temperature of 22°C is optimal for operation. It is recommended that you already start steam production 5-10 minutes before “climbing in”.



Perfumes:

Use only water-“soluble” scent additives and only if strongly diluted (according to the manufacturer’s instructions), never use in concentrated form! The perfumes that can be so pleasant for people can otherwise cause damage to the plastic of the shower. Discolouration and hairline cracks can arise, and the shower may develop leaks. Neither warranty nor liability can be accepted for such damage. Pour perfume and water mixture into the small container below the steam nozzle (container can be pulled out forwards). Direct slit of steam nozzle downwards (before switching on the steam function!) The exiting steam can heat up and vaporise the solution directly.



Radio / CD:

Key 13: press once - the radio can be used, press twice – external audio source (e.g. CD player) can be used (requirement: the audio cable is extended outwards during assembly), press three times – off. Set the channel with the key 14 “Set”, and volume with the 2 keys 15 “Vol”.

A long press on key 12 “M” saves the channel that has just been set.

A total of 5 channels can be set. Short presses on the same key will call up the saved channels one after another-

Remote Control:

With this, the following adjustments are also possible from outside the cabin:

1. Light on/off
2. Steam production on/off
3. Presetting of temperature and time
4. Radio on/off, setting of channel and volume

Although the remote control is splash-proof, one should not use it inside the cabin and certainly never for “diving attempts”!

4. Care and Cleaning

Please only clean surfaces with a damp cloth. For stubborn dirt, use mild, solvent-free / alcohol-free all-purpose cleaners. Organic solvents and also alcohol can attack the high-quality acrylic surface causing cracks to form.

In the event of chalk deposits forming, allow vinegar, citric acid or a vinegar cleaner to take effect for a while (1-2 hours) and then remove dirt. Rinse with plenty of water! Never use abrasive cleaners or abrasive sponges on the plastic surfaces. Only use a soft cloth to clean mirror. Remove dirt with clear water and wrung-out leather. Please never use chemical cleaners on the mirror (danger of the mirror "becoming blind" from the edge).

After each use, the shower should be sprayed clean with the hand-held shower head and hot water. If perfumes have been used, please rinse out the area around the steam outlet particularly thoroughly. Then leave doors open until the cabin interior is fully dried.

5. Warranty and Service

We provide a warranty of 1 years for our products. Excluded from this warranty and from any liability are damage due to incorrect assembly, unqualified water connection, incorrect treatment, and incorrect care (see above) and wearing parts such as lamps and heating rod. Please only use original parts when making repairs.

Have all repairs carried out by an expert. If you have a complaint, please first contact the dealer from which you purchased the product. During the warranty period, we ask you to present a) the sales slip and b) a copy of the "QA field" (on the back of these instructions). The date for the start of the warranty is the date of purchase on the sales slip.

Replacement parts can also be ordered from our customer service. Please describe the replacement part precisely, preferably adding the short designation (letter / number) used in this booklet.

We are always open to your advice and suggestions

6. Recycling

In future, the law on used electrical and electronic appliances will apply to the disposal of the product. The "used appliance" must then be taken to an appropriate collection point. We recommend to you that you remove the control unit (near steam producer) and the display and only take these to the electrical / electronic collection point. The remaining large "waste" can be treated as usual (local variations – as with bulky rubbish ...).



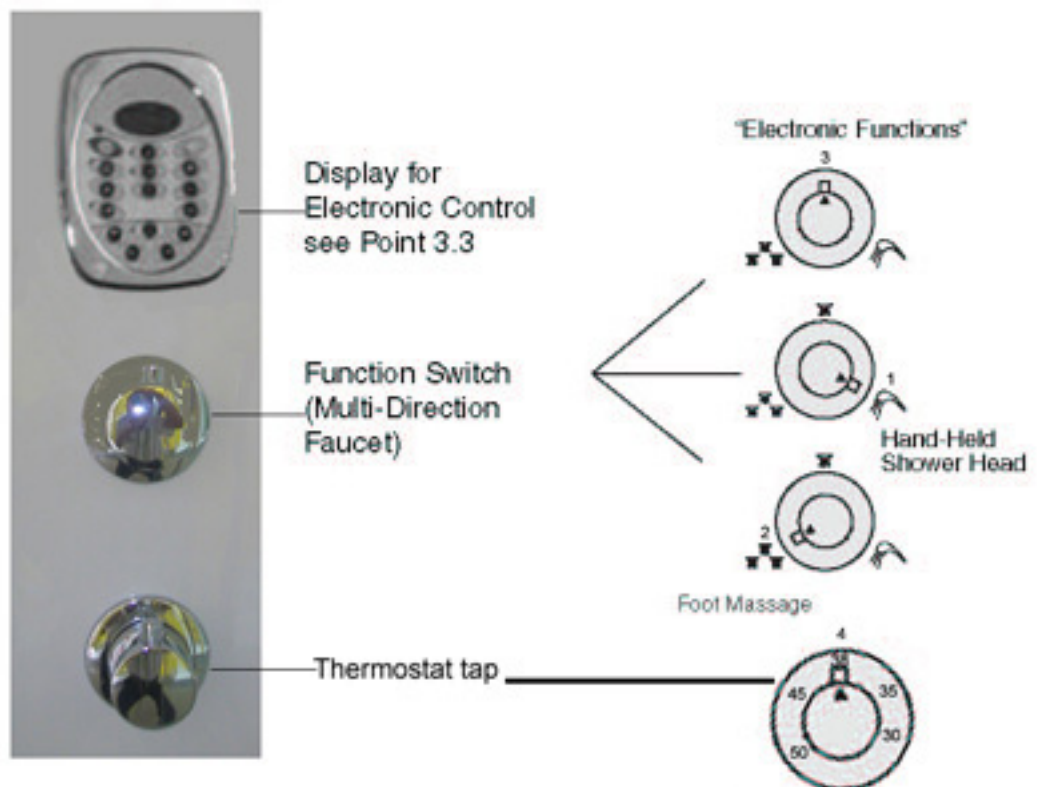
CE

QA Check-No.:
Quality Control:

22004 / Malindi II "Duo" / 2005 / 07 / 2nd Version

Operation

3.2 a Thermostatic valve usage:



This Valve is a 2 gears thermostat:

Position 1 is the foot massage mark; When the diverter turns at this position the foot massage working (other positions no water);

Position 2 is hand shower mark; When the turns at this position the hand shower sprays (other positions no water);

Position 3 is stop point, When diverter turns at this position all water outlet blocked;

Position 4 is for temperature and spray force adjustment; Diverter stop when it point at 38 degree (as for 38 degree is usual temperature). If higher temperature needed you have to press down the position button so could you continue adjustment,



CE

QA Check-No.:
Quality Control:

22014 - Mafab 9 "Duo" / 2015 / 07 / 2nd version

SaniNova BV

Boonseweg 81 3374 LH Heinoord The Netherlands

tel. nr. +31 186 607 373 fax nr. +31 0186 603 838

Email address: info@saninova.nl

website: www.saninova.nl

plumbworld
Big brands, small prices.

Pdf Supplied By <http://www.plumbworld.co.uk/>