

PRESSURE EQUALISING VALVE MK3

The Pressure Equalising Valve is designed to supply both Hot and Cold water at Equal pressure, regardless of any differential in the incoming supply. The Valve equalises the pressure by automatically adjusting the higher (Hot or Cold) pressure to the level of the lower pressure, resulting in a constant temperature.

APPLICATIONS

- Shower Valves
- Single Lever Mixers
- Bidet Mixers
- Bath/Shower Mixers
- Extra fine control of Thermostatic Mixers
- All processes requiring a constant water temperature

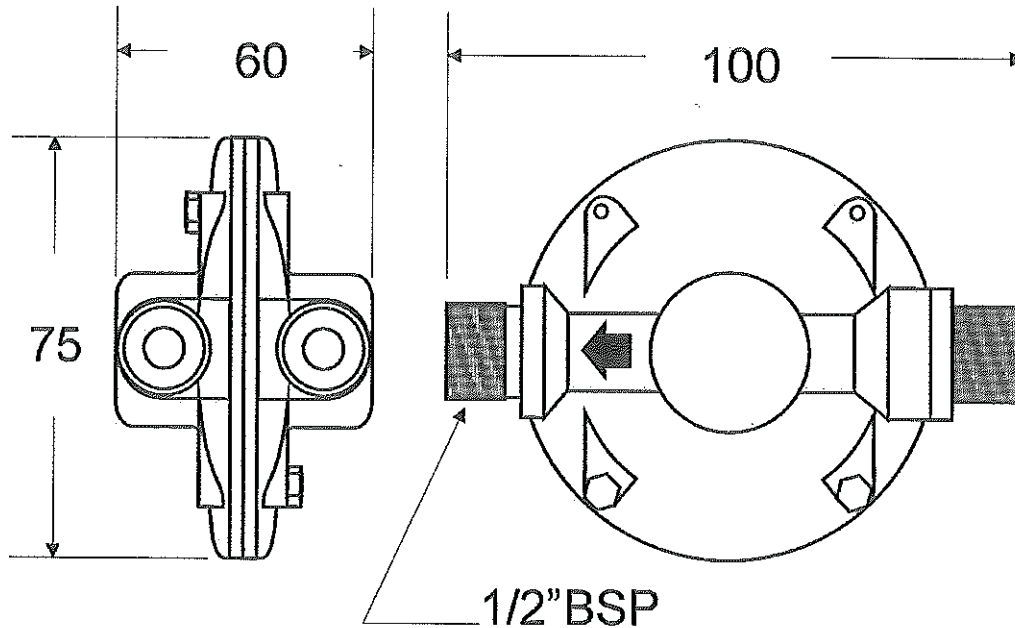
TECHNICAL DATA

The Valve is suitable to equalise Water pressure on the following Water pressure systems:

- Low
- Gravity
- Combi Boiler and Multipoint
- Unvented Cylinders
- Minimum Water pressure for satisfactory operation:
(Hot and Cold) (0.2 Bar) (20 kPa) (3.0 psi)
- Maximum Water pressure (10.0 Bar) (1000 kPa) (150 psi)
- Maximum Hot Water temperature 80°C
- Installation should comply with relevant Local Authority requirements.

PRODUCT #	BATCH #
-----------	---------

#41554



Note: Pipe-work must be flushed before connection to the Valve. A Strainer or In-line filter must be fitted to the main inlet to the dwelling or on both Hot and Cold delivery lines to the Valve inlets.

Failure to do these actions will invalidate the warranty.

- The Pressure Equalising Valve must **NOT** be fitted with an **UNEQUAL** pressure Shower-mixing valve.
- The Pressure Equalising Valve can be installed vertically or horizontally and at any distance before the mixer (or pair of taps) provided it supplies only **ONE** mixer and there is no additional draw off between the Pressure Equalising Valve and the Mixer.
- The Hot and Cold supplies can be connected to either inlet of the valve. **But the direction of flow must be adhered to.**
- The Pressure Equalising Valve must be positioned where it is accessible.
- To maintain a constant temperature at the shower outlet when pressures change the water heating system must be able to deliver hot water at a constant temperature, irrespective of demand from the system. When the pressure equalising valve is used with a modulating multipoint or combination type gas water heater, the maintained Mains water pressure and hence flow through the heater, must be sufficient to keep the burner ignited. *Refer to boiler maker information/advice

Note: If the shower is unsatisfactory because of too low a pressure or incorrect spray rose or mixer, the Pressure Equalising Valve will not cure these problems.

SERVICING AND TROUBLE SHOOTING

1. Leakage on the Hot side will show as a small discharge from the hot water vent, or expansion pipe/relief valve.

To check if discharge is from the Pressure Equalising Valve, turn off water heating and shut off water to the hot water cylinder.

- On a vent pipe system, a continuing discharge means the Pressure Equalising Valve needs servicing.
- On a relief valve system, the relief valve will also need checking.

2. Particles carried in the water, and embedding in the Inlet non return valve 'O' ring, are the most likely cause of leakage or noise from the valve.

To service the Inlet non-return valves, remove the Pressure Equalising Valve from the pipework, and unscrew the inlet connection using a 10mm Allen Key. The non return valve can then be removed and checked for debris, and checked that it is closing properly.

Watts UK Ltd

Grosvenor Park

Evesham, WR11 1GA

United Kingdom

Phone +44 (0) 1386 446997

Fax +44 (0) 1386 41923

E-mail wattsuk@aol.com

Site www.wattseurope.com