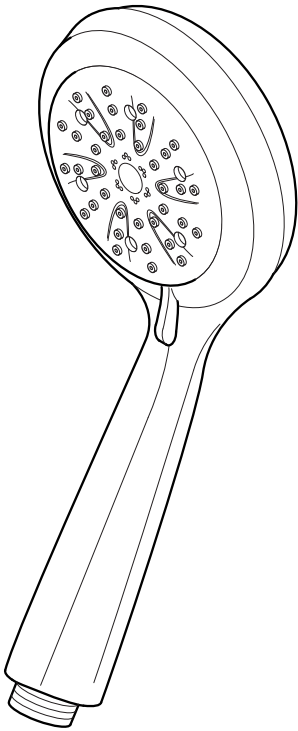
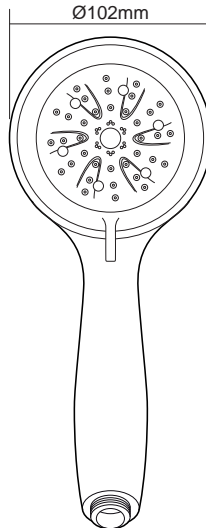
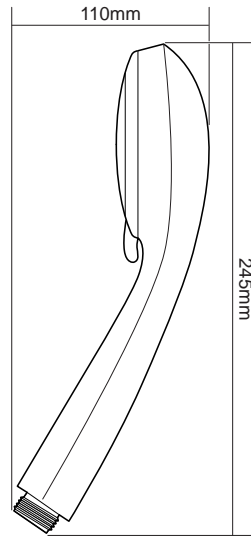


**7000 series
5 Position
Showerhead**



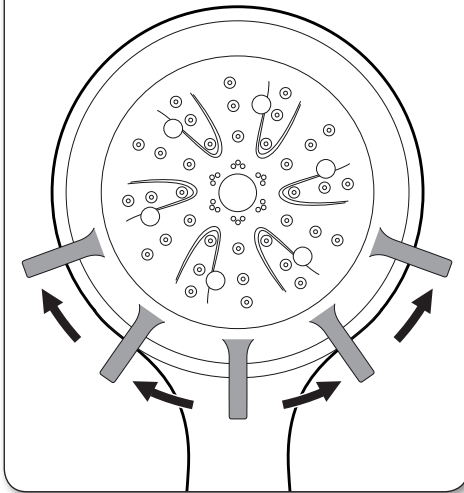
**Installation
Instructions**



INSTALLERS PLEASE NOTE THESE INSTRUCTIONS ARE TO BE LEFT WITH THE USER

5 POSITION SHOWERHEAD

Fig. 1



This instruction book covers the operation and cleaning of the showerhead.

Your showerhead is suitable for mixer and electric showers.

The showerhead has five showering patterns.

ADJUSTING THE SHOWERHEAD

Five showerhead patterns are available (**fig.1**).

Adjust the spray pattern by turning the bezel on the showerhead clockwise or anti-clockwise until the desired pattern is obtained. A click will be heard when the lever has reached each of the five settings.

CLEANING

Triton recommends that all products are cleaned using warm, soapy water.

Do not use abrasive or aggressive chemical cleaning products as this may affect the product surface and finish.

Note: The showerhead can be cleaned quickly by simply rubbing your fingers over the faceplate.

Before cleaning, turn off the unit at the mains supply to avoid the shower being accidentally switched on.

IT IS IMPORTANT TO KEEP THE SHOWERHEAD CLEAN TO MAINTAIN THE PERFORMANCE OF THE SHOWER. The hardness of the water will determine the frequency of cleaning. For example, if the shower is used every day in a very hard water area, it may be necessary to clean the showerhead on a weekly basis.

5 POSITION SHOWERHEAD

Sprayplate removal

There is no need to remove the showerhead from the hose.

Using the removal 'sprayplate key' tool supplied (**fig.2**), locate the raised pegs on the key into the six recesses in the sprayplate.

Press the key firmly against the sprayplate and twist anti-clockwise (**fig.3**). This movement may turn the bezel assembly until it reaches its stop.

Hold the bezel firmly and continue to twist the key anti-clockwise. Having loosened the sprayplate, it can be unscrewed and removed completely.

The position bezel can also be removed. It locates onto the internal sprayplate via four locating tags. Upon reassembly, the largest of the locating tags on the bezel should be matched with the appropriate recess on the internal sprayplate (**fig.4**).

Particular attention should be paid to remove 'O' ring 'C' from the internal sprayplate as it could be lost during the cleaning process.

Note: The three 'O' rings - A, B and C, in (fig.4) MUST be fitted back into the showerhead. Failure to do so may cause poor performance from the showerhead.

When cleaning, DO NOT remove the internal sprayplate.

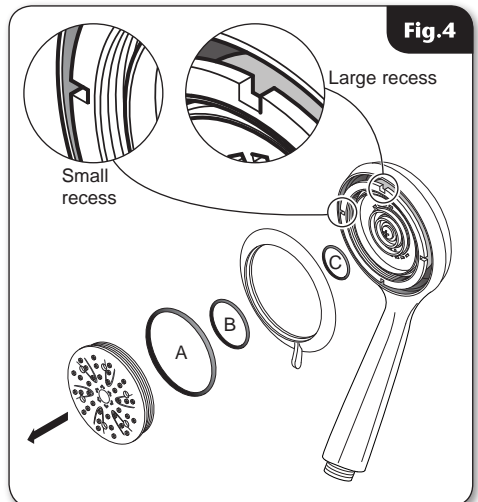
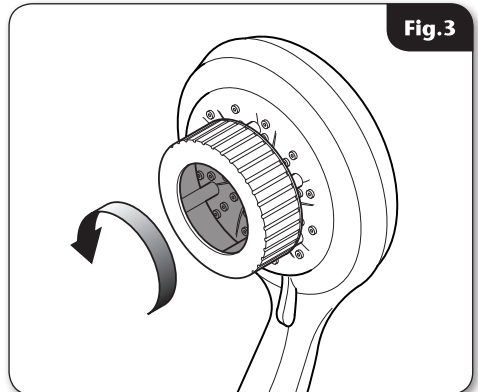
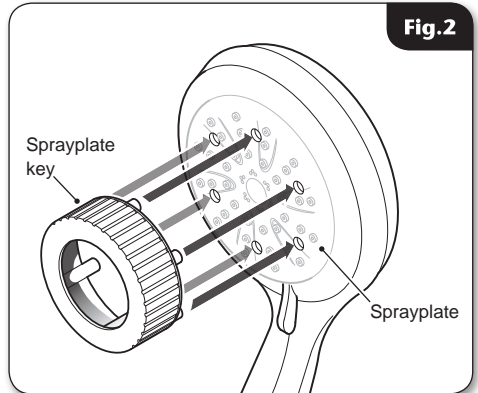
Clean the components with a suitable non abrasive brush or preferably leave it to soak overnight in a mild proprietary descaler. Make sure all traces of scale are removed and thoroughly rinse in clean water afterwards.

Before reassembly, switch the water (and power) back on at the mains supply and direct the hose and showerhead to waste.

Turn the showers temperature control to COLD.

Start the shower and set to maximum flow. This operation will flush out any loose scale deposits in the unit and showerhead. Stop after about thirty seconds.

Refit the components and use the tool to tighten the sprayplate.



5 POSITION SHOWERHEAD

SPARE PARTS

Ref.	Description	Part number
<i>Kwik clean showerhead</i>		
1.	White	88500032
2.	Chrome	88500033
3.	Satin	88500034
<i>Rub clean showerhead</i>		
4.	White	88500035
5.	Chrome	88500036
6.	Satin	88500037
7.	White (<i>care version</i>)	88500038
8.	Chrome (<i>care version</i>)	88500039

The 7000 series showerhead has been designed to accept flow regulators to limit water flow and save water, the following ratings are available:

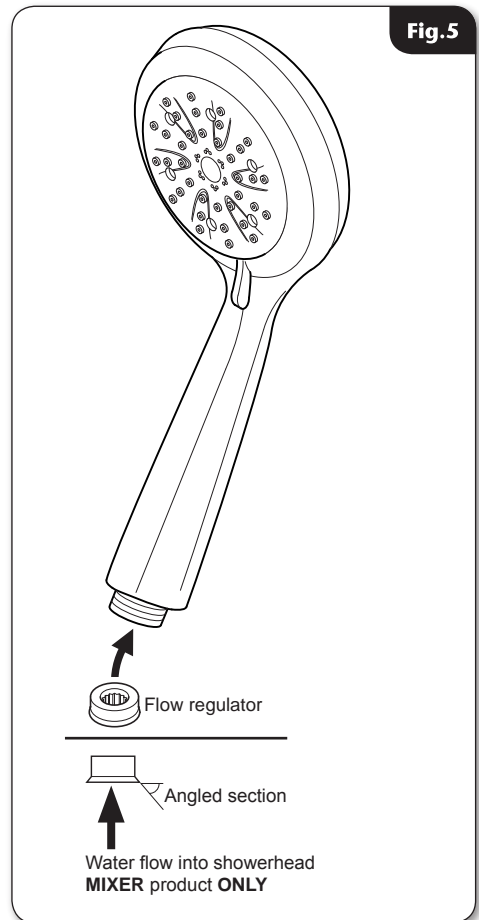
(4 Ltr/min).....	22011740
(5 Ltr/min).....	22011750
(6 Ltr/min).....	22011760
(7 Ltr/min).....	22011610
(8 Ltr/min).....	22011280

*A flow regulator is not supplied unless otherwise stated.

TO FIT A *FLOW REGULATOR

Fit a flow regulator into the showerhead as shown in (fig.5).

IMPORTANT: A flow regulator should only be fitted into a showerhead that is used on mixer product with a supply pressure of 0.5 bar and above. Under NO circumstances should a flow regulator be used in this way with an electric shower.



Please refer to shower installation and operating instructions for service details. E&OA.

plumbworld
Big brands, small prices.

Pdf Supplied By <http://www.plumbworld.co.uk/>