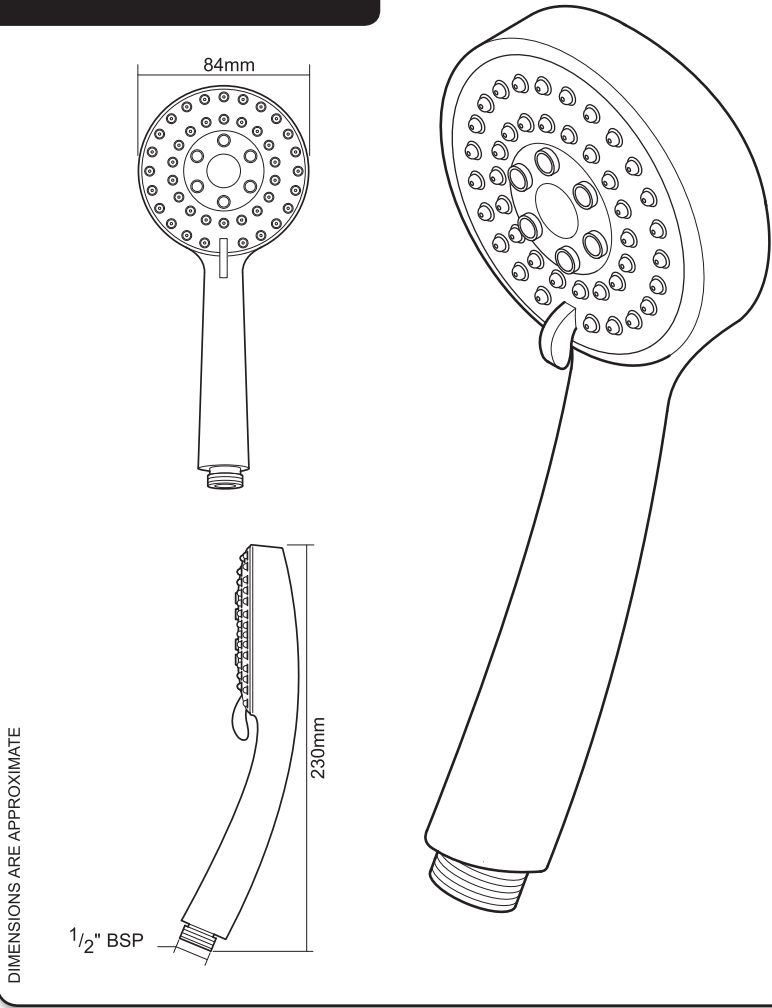


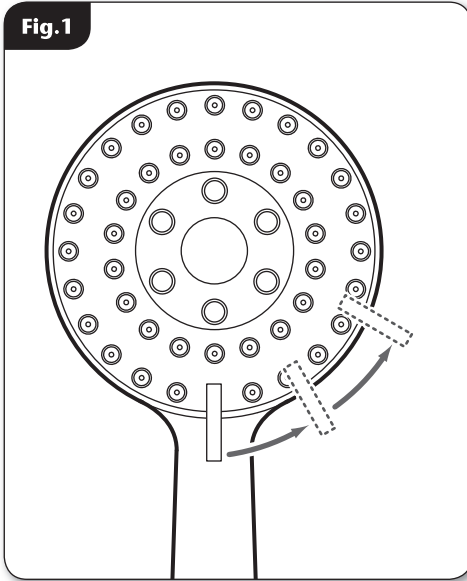
LARA
Three position
shower head



INSTALLERS PLEASE NOTE THESE INSTRUCTIONS ARE TO BE LEFT WITH THE USER

LARA three position shower head

Fig. 1



SPARES

Ref.	Description	Part No.
1.	Showerhead - chrome	88500040
2.	Showerhead - white	88500043

INSTALLATION

Before installing the shower head, flush the pipework through to remove any debris that may be in the system.

The showerhead has three spray positions. The position settings are shown in (fig.1).

CLEANING

Triton recommends that all products are cleaned using warm, soapy water.

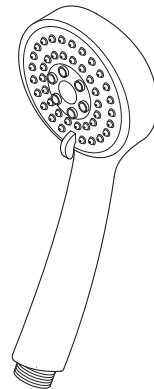
Do not use abrasive or aggressive chemical cleaning products as this may affect the product surface and finish.

Note: The showerhead can be cleaned quickly by simply rubbing your fingers over the faceplate.

Before cleaning, turn off the unit at the mains supply to avoid the shower being accidentally switched on.

IT IS IMPORTANT TO KEEP THE SHOWERHEAD CLEAN TO MAINTAIN THE PERFORMANCE OF THE SHOWER. The hardness of the water will determine the frequency of cleaning. For example, if the shower is used every day in a very hard water area, it may be necessary to clean the showerhead on a weekly basis.

Note: The shower head is not designed to be disassembled.



plumbworld
Big brands, small prices.

Pdf Supplied By <http://www.plumbworld.co.uk/>