



SHOWERS

T100E care mkII electric shower specification



BS EN 60335 KM 52019

T100E Care MkII electric shower

The T100E Care MkII offers a value for money electric care shower. It combines accurate water temperature with easy to use controls making it ideal for children, the elderly and less-abled people

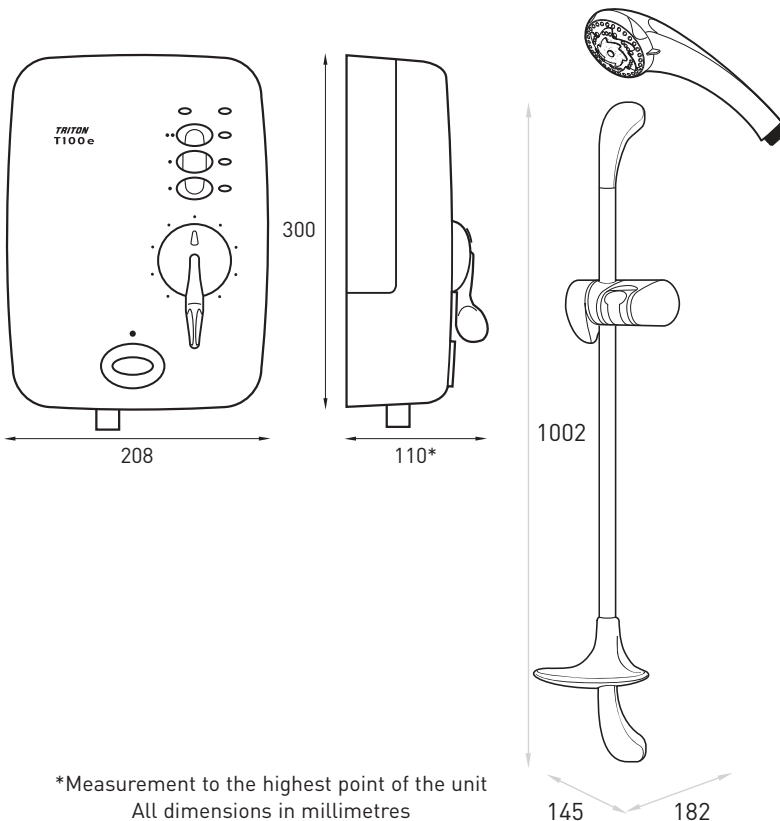
style and finish options

T100E Care MkII available with a care pack
White/Chrome

- **Push button Start/Stop** red indicator button for Start/Stop located at the bottom of the unit
- **Soft spray option**
A multi spray pattern showerhead suitable for those with sensitive skin
- **Phased Shutdown**
- **Control extension levers**
Essential for people with arthritic hands.
- **Power rating**
240v 230v MCB Protection Device
8.5kW 7.9kW 40 Amps
- **Reinforced high quality extended hose (1.75m)**
Prevents kinking whilst allowing optimum manoeuvrability of the showerhead for the carer when assisting someone to shower.
- **Push buttons** for selection of: Cold/Economy/High settings. Indentations and LED displays ensure that the correct buttons are located
- **Numbered temperature dial** for easy temperature selection
- **'Low Pressure' Indicator** operates when the water pressure is insufficient
- **Extended riser rail (1m)**
Allows the showerhead to be positioned for use both in a seated or standing position

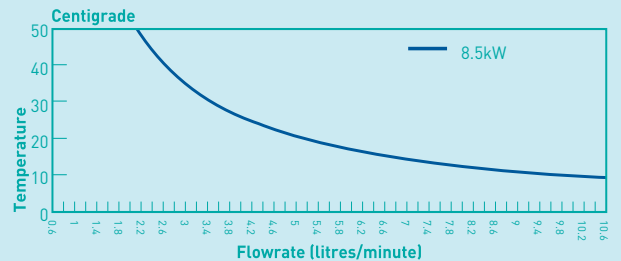


T100E CARE MkII Electric shower C10E0840

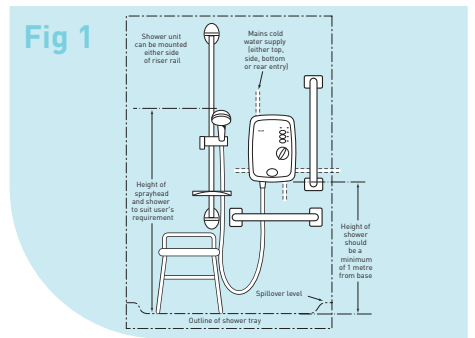
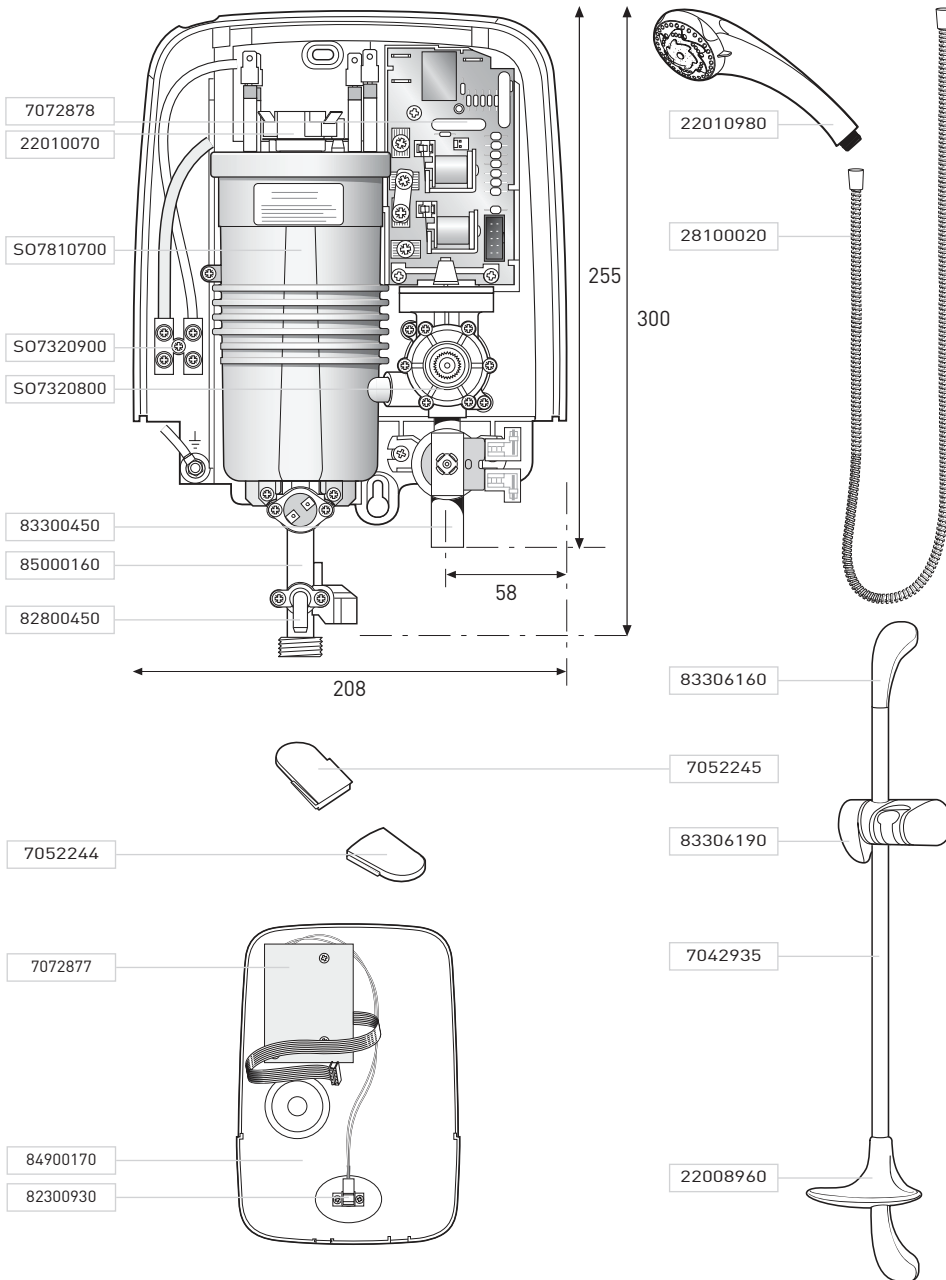


*Measurement to the highest point of the unit
All dimensions in millimetres

Temperature / flow rate



Note: The approximate temperatures indicated are based on 0°C ambient incoming water temperature. This can vary between 3°C and 23°C depending on weather conditions



SITING OF THE SHOWER

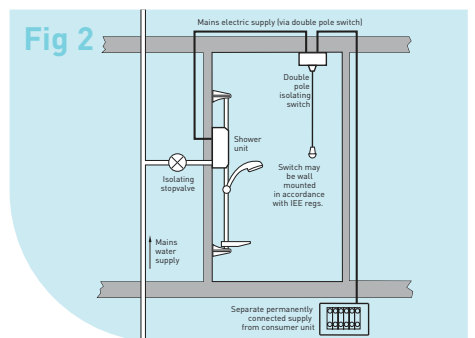
Important: If installing onto a tiled wall always mount the unit on the surface of the tiles. NEVER tile up to the unit. Refer to Fig.1. for the correct siting of the shower. Position the unit where it will NOT be in direct contact with water from the sprayhead. Position the shower unit vertically. Allow enough room between the ceiling and the shower to access the cover top screws.

Note: Water regulations require the sprayhead to be 'constrained by a fixed or sliding attachment so that it can only discharge water at a point not less than 25mm above the spillover level of the relevant bath, shower tray or other fixed appliance'. Because of the nature of the extended hose and riser rail, the sprayhead would normally be able to be placed within a bath, basin or shower tray. In this case a double check valve, or similar, must be fitted in the supply pipework to prevent back-flow.

Pressure relief safety device: A pressure relief device (PRD) is designed into the shower unit which complies with European standards. The PRD provides a level of appliance protection should an excessive build up of pressure occur within the shower. DO NOT operate the shower with a damaged or kinked shower hose, or a blocked sprayhead which can cause the PRD to operate. When commissioning, the sprayhead must be removed from the flexible hose, while at the same time the temperature control must be at the minimum flow position. Failure to follow this procedure may also cause the PRD to operate. Make sure the shower is positioned over a bath or shower tray because if the PRD operates, then water will eject from the bottom of the unit. Should this happen, turn off the electricity and water supplies to the shower at the isolating switch and stopvalve. Contact Customer Service for advice on replacing the PRD.

WARNING! The shower must not be positioned where it will be subjected to freezing conditions.

IMPORTANT: The unit must be mounted on a flat surface which covers the full width and length of the backplate. It is important that the wall surface is flat otherwise difficulty may be encountered when fitting the cover and subsequent operation of the unit may be impaired.



WATER REQUIREMENTS

The installation must be in accordance with Water Regulations/Byelaws. To ensure activation of the heating elements, the shower must be connected to a mains water supply with a minimum running pressure of 100kPa (1.0 bar) at a minimum flow rate of eight litres per minute, and a maximum static pressure of 1000kPa (10 bar).

Note: If the stated flow rates are not available, it may not be possible to achieve optimum performance from the unit throughout the year. During periods of high ambient temperatures it may be necessary to select a low power setting to achieve your preferred shower temperature. The water supply can be taken from a cold water storage cistern provided there is a minimum head of ten metres above the sprayhead. It must be an independent supply to the shower only. If it is intended to operate the shower at pressures above the maximum or below the minimum stated, contact Customer Service for advice. Fig.2 shows a typical system layout. **DO NOT use jointing compounds on any pipe fittings for the installation.**

APPROVALS

Products conform to EU New Approach Directives i.e. Low Voltage directive and EMC directive.

| T100E CARE MKII PART NUMBER | DESCRIPTION | PART NUMBER | DESCRIPTION |
|-----------------------------|--------------------------------------|-------------------------------|----------------------------|
| 507810700 | Heater can assembly | 2160338 | Wire 130mm - brown |
| 507320900 | Terminal block & wires | 2160465 | Wire 115mm - brown |
| 507320800 | Stabiliser valve assembly | 2160449 | Wire 95mm - brown |
| 85000160 | Outlet pipe assembly c/w wires & PRD | 82300930 | Start/stop switch assembly |
| 83300450 | Solenoid valve | 84900170 | Cover assembly |
| 82800450 | Pressure relief device | | |
| 22010070 | Thermal cut-out - main | RISER RAIL PART NUMBER | DESCRIPTION |
| 7072878 | PCB - control | 83306160 | Rail brackets |
| 7072877 | PCB - power | 7042935 | Extended riser rail |
| | | 83306190 | Sprayhead holder |
| | | 22008960 | Soap dish - white |
| | | 28100020 | 1.75m flexi hose - chrome |
| | | 7052245 | Insert trim - cover |
| | | 7052244 | Insert trim - backplate |
| | | SPRAYHEAD PART NUMBER | DESCRIPTION |
| | | 22010980 | Sprayhead - white |



To contact Triton's Technical Advice Team, please call
+44 (0) 24 7632 5491

Triton Plc, Shepperton Park, Triton Road, Nuneaton, Warwickshire CV11 4NR
 Tel: +44 (0) 24 7634 4441 Fax: +44 (0) 24 7634 9828 www.tritonshowers.co.uk

It is our policy to improve the design and specification of our products and we reserve the right to depart from the details given without prior notice.

plumbworld
Big brands, small prices.

Pdf Supplied By <http://www.plumbworld.co.uk/>