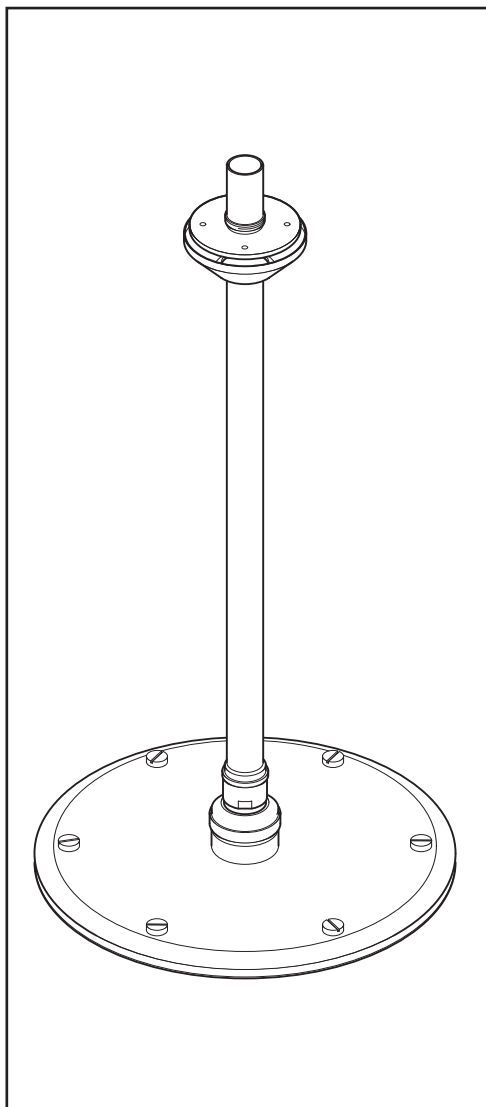


CYRENE

Fixed showerhead kit



Installation instructions

INSTALLERS PLEASE NOTE THESE INSTRUCTIONS ARE TO BE LEFT WITH THE USER

CONTENTS	Page
General installation notes	1
Main components	2
Installing the ceiling arm	3
Spare parts	5
Guarantee, etc.	rear cover

To check the product suitability for commercial and multiple installations, please contact Triton's specification advisory service before installation.

Telephone: 0870 067 3767

Facsimile: 0870 067 3334

E mail: technical@tritonshowers.co.uk

GENERAL INSTALLATION NOTES

The following notes are given as the suggested steps for installing the Satellites mixer shower and remote control:

1. Site survey

Determine the position of all parts of the shower (kit, mixing unit and control) before starting the installation.

2. Fit the mixing unit

3. Install the shower kit

Having determined the position of the mixing unit install the shower kit.

4. Install the pipework and plumbing

Run the pipework from the mixing unit to the shower kit outlet. Connect the inlet pipework, outlet pipework and then the outlet fittings.

5. Electrical connections

Connect the mixing unit to the electrical supplies.

6. Register the remote control panel

Register the control panel to the mixing unit.

7. Commission the unit

Commission the shower and select the desired feature settings.

8. Fit the control panel to the wall

Install the remote control panel wall mounting bracket within the showering area. Fit the control panel onto the bracket.

9. Operation

Operate the shower and set preferred flow settings.

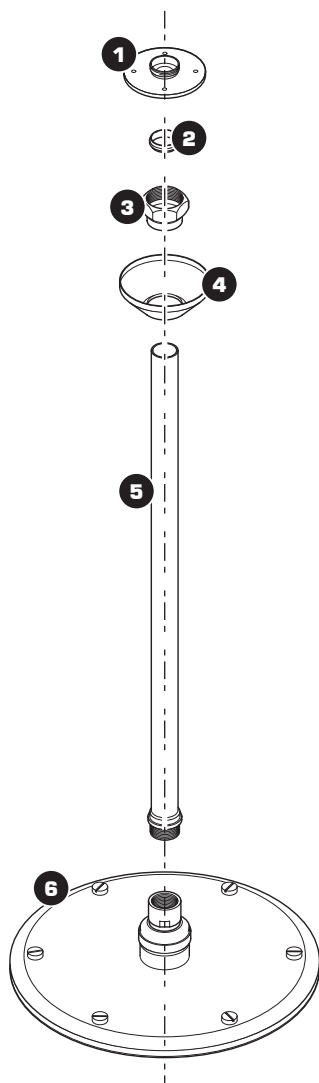
A video detailing the installation of the Satellites mixer shower can be seen at

www.tritonshowers.co.uk.

**A DVD is also available on request.
Contact the Brochure request line for details on**

024 7632 4460

Fig. 1



MAIN COMPONENTS

Cyrene ceiling arm kit (Fig. 1)

1. Ceiling arm mounting plate
2. Olive
3. Locking nut
4. Ceiling trim
5. Ceiling arm
6. Emily fixed showerhead
7. Fixing screws and wall plugs
(not shown)

Instructions, guarantee, template etc.

INSTALLATION

WARNING!

The edges of the riser rail are extremely sharp. Take care when handling and cutting the rails.

IMPORTANT: Make sure all pipework connections to and from the mixing unit have been completed before connecting to the outlet. Refer to 'Part 3: Mixing unit for details.

Decide the position for the ceiling arm on the ceiling within the shower area.

Position the mounting plate on the ceiling. Mark the centre hole and the four securing holes on the ceiling (**fig.2**). Using a 26 mm cutter, drill the ceiling opening.

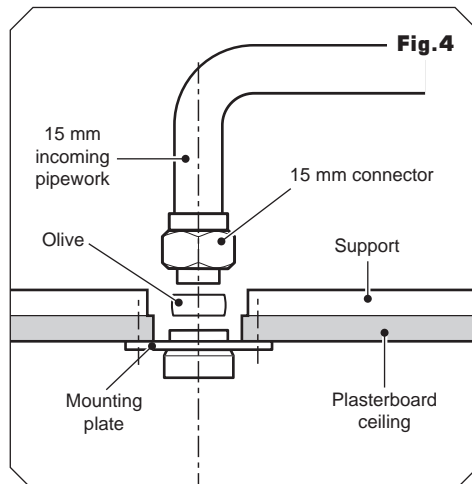
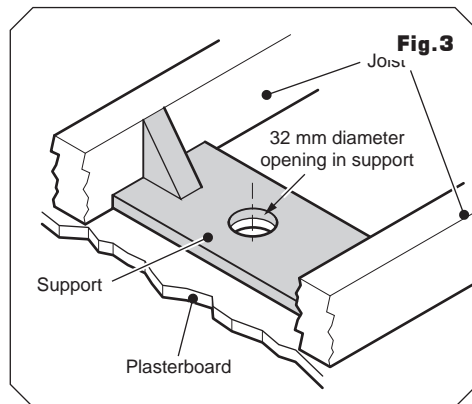
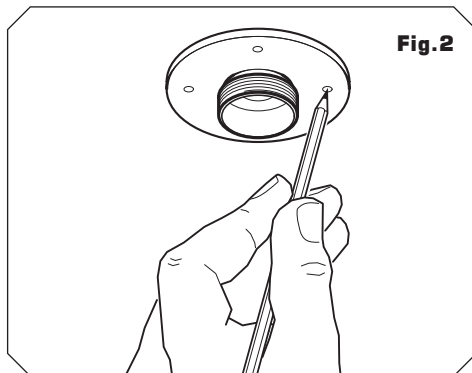
Note: The installer may wish to consider building a support (**fig.3**) or similar within the loft space to provide extra support for the ceiling arm and associated pipework.

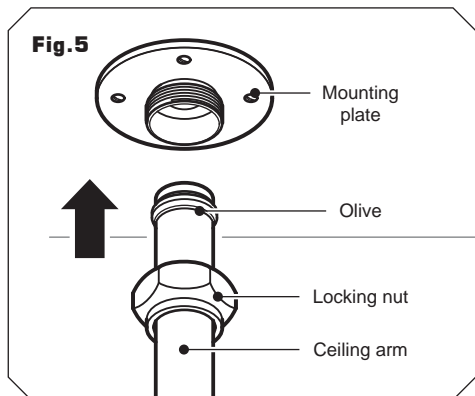
Insert the mounting plate onto the opening and secure using the screws supplied.

Plumbing connections

Complete the outlet pipework running from the mixing unit into the top of the mounting plate and finish the installation using an olive and a 15 mm connector (**fig.4**).

IMPORTANT: Before completing the connection of the water supply to the ceiling arm flush out the pipework to remove all swarf and system debris.





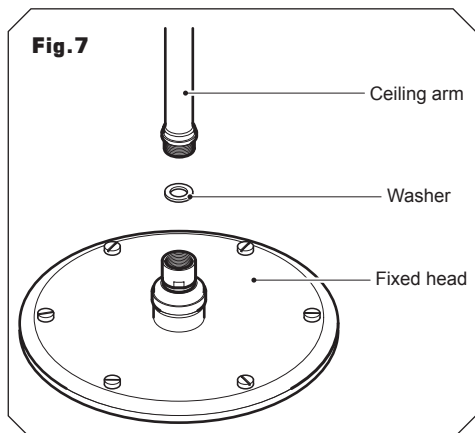
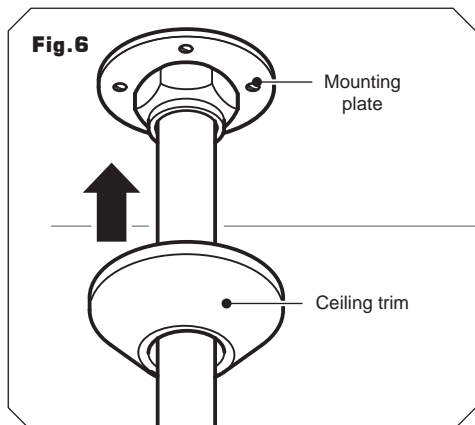
Fitting the ceiling arm

Wrap the exposed thread on the mounting plate with PTFE tape.

Slide the locking nut and olive onto the ceiling arm. Insert the ceiling arm into the mounting plate and slide the olive up to the plate base. Screw the locking nut onto the mounting plate and tighten to secure the ceiling arm in position (**fig.5**).

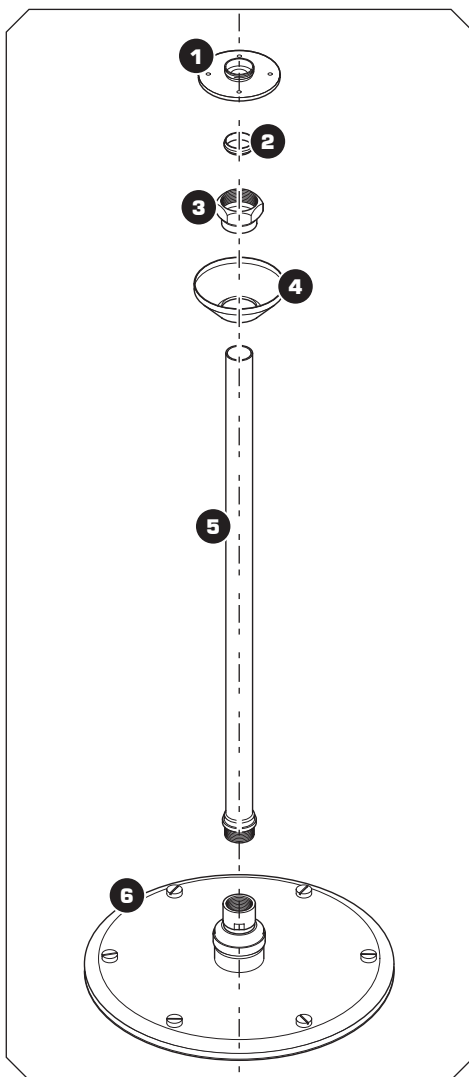
Slide the ceiling trim over the arm up to the ceiling and push fit onto the mounting plate (**fig.6**).

Screw the fixed showerhead to the arm, making sure the supplied washer is in place (**fig.7**).



SPARE PARTS

Ref.	Description	Part No.
1.	Mounting plate	83310900
2.	19 mm olive	83310910
3.	Locking nut	83310920
4.	Ceiling trim	83310930
5.	Ceiling arm	83310940
6.	Emily fixed showerhead	88600006



TRITON STANDARD GUARANTEE

Triton guarantee this product against defects arising from faulty workmanship or materials for a period of one year for domestic use only, from the date of purchase, provided that it has been installed by a competent person in full accordance with the fitting instructions.

Any part found to be defective during this guarantee period we undertake to repair or replace at our option without charge so long as it has been properly maintained and operated in accordance with the operating instructions, and has not been subject to misuse or damage.

This product must not be taken apart, modified or repaired except by a person authorised by Triton.

This guarantee applies only to products installed within the United Kingdom and does not apply to products used commercially. This guarantee does not affect your statutory rights.

Triton Showers
Triton Road
Nuneaton
Warwickshire CV11 4NR

Triton is a division of Norcros Group (Holdings) Limited

Customer Service: ☎ 0870 067 3333

**Scottish and Northern Ireland
Customer Service: ☎ 0845 762 6591**

**Trade Installer Hotline: ☎ 0870 067 3767
Fax: 0870 067 3334**

www.tritonshowers.co.uk

E mail: technical@tritonshowers.co.uk

plumbworld
Big brands, small prices.

Pdf Supplied By <http://www.plumbworld.co.uk/>