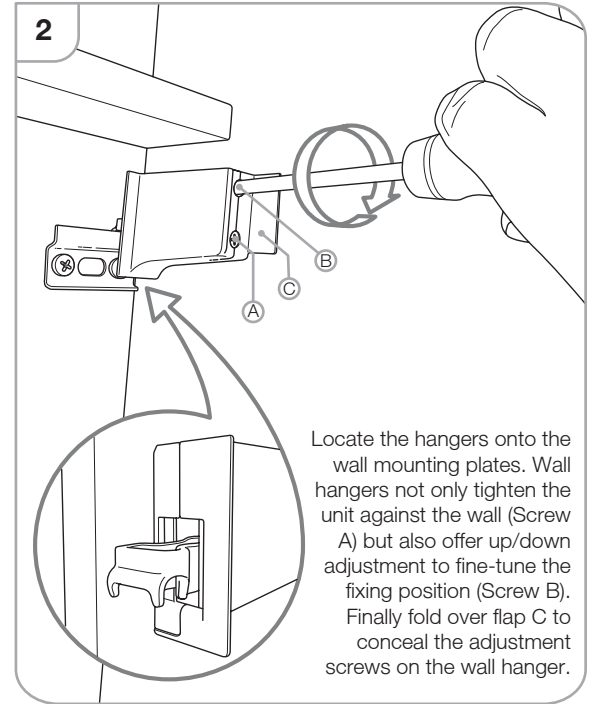
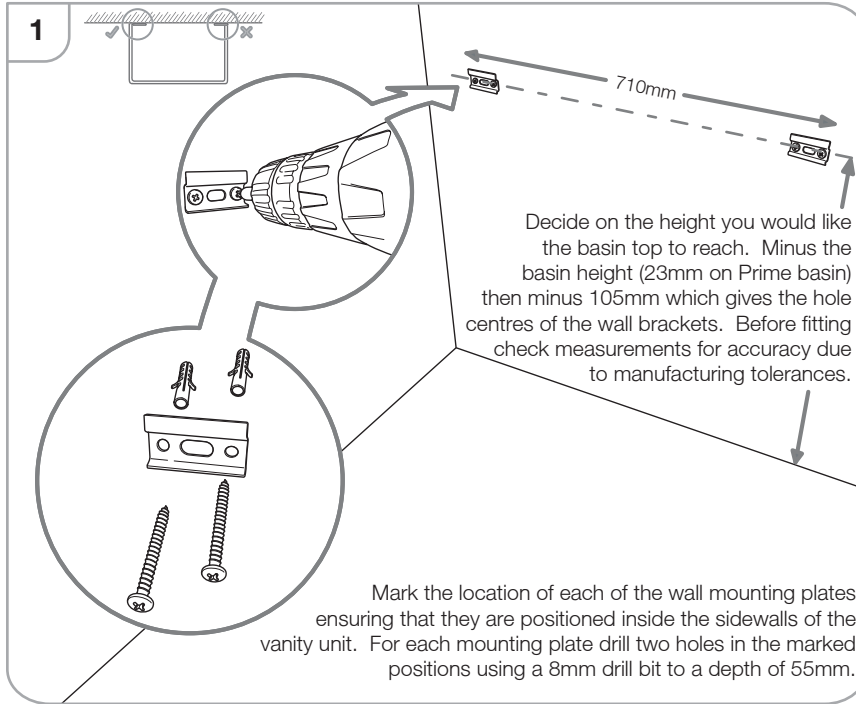


Before you start

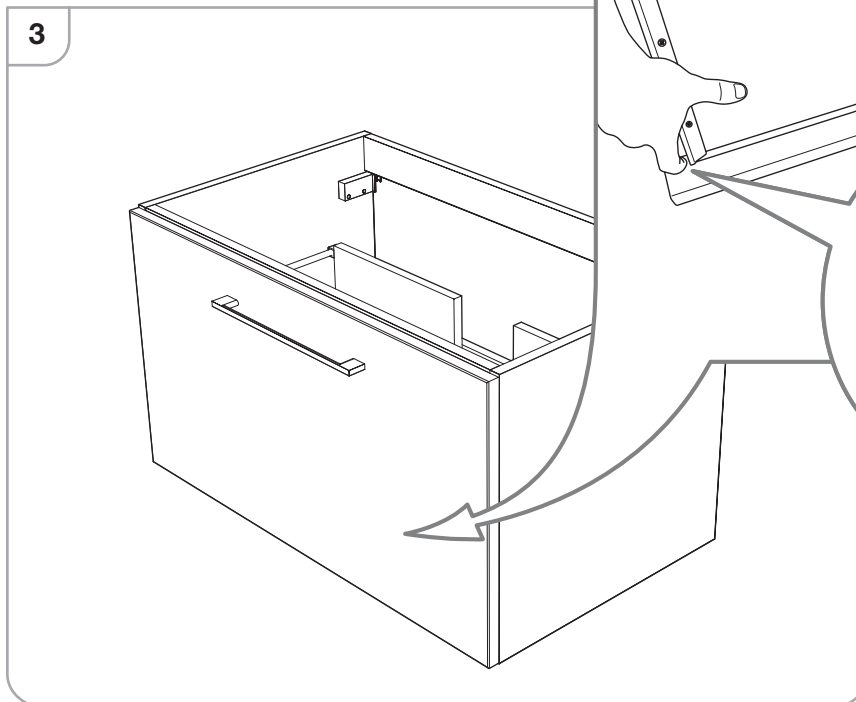
It is recommended that the unit and basin are secured to a suitably reinforced wall to ensure stability. The wall plugs supplied are only suitable for solid stone / brick walls. For plasterboard walls use specialist wall plugs along with supplementary wall strengthening as units can be very heavy. Seek advice from a specialist about the suitability of fixings to be used.

Wear suitable eye protection when drilling. Take care when using power tools near water - the use of a residual current device (RCD) is recommended. Beware of hidden pipes or cables. Take care when drilling tiled surfaces as the drill might slip. Use a piece of masking tape to prevent the drill from wandering.



Drawer removal

Prime drawers feature a lift off mechanism. Slide the drawer fully out then hold the drawer sides and lift until it clicks off the runners. To replace, simply drop back onto the runners and close making sure it clicks back into position on the runners.



Drawer front detachment

Once the drawer has been removed, it is possible to detach the front of the drawer. Simply lift up both levers on the underside of the drawer at the same time, as shown here.

Fitting the handle

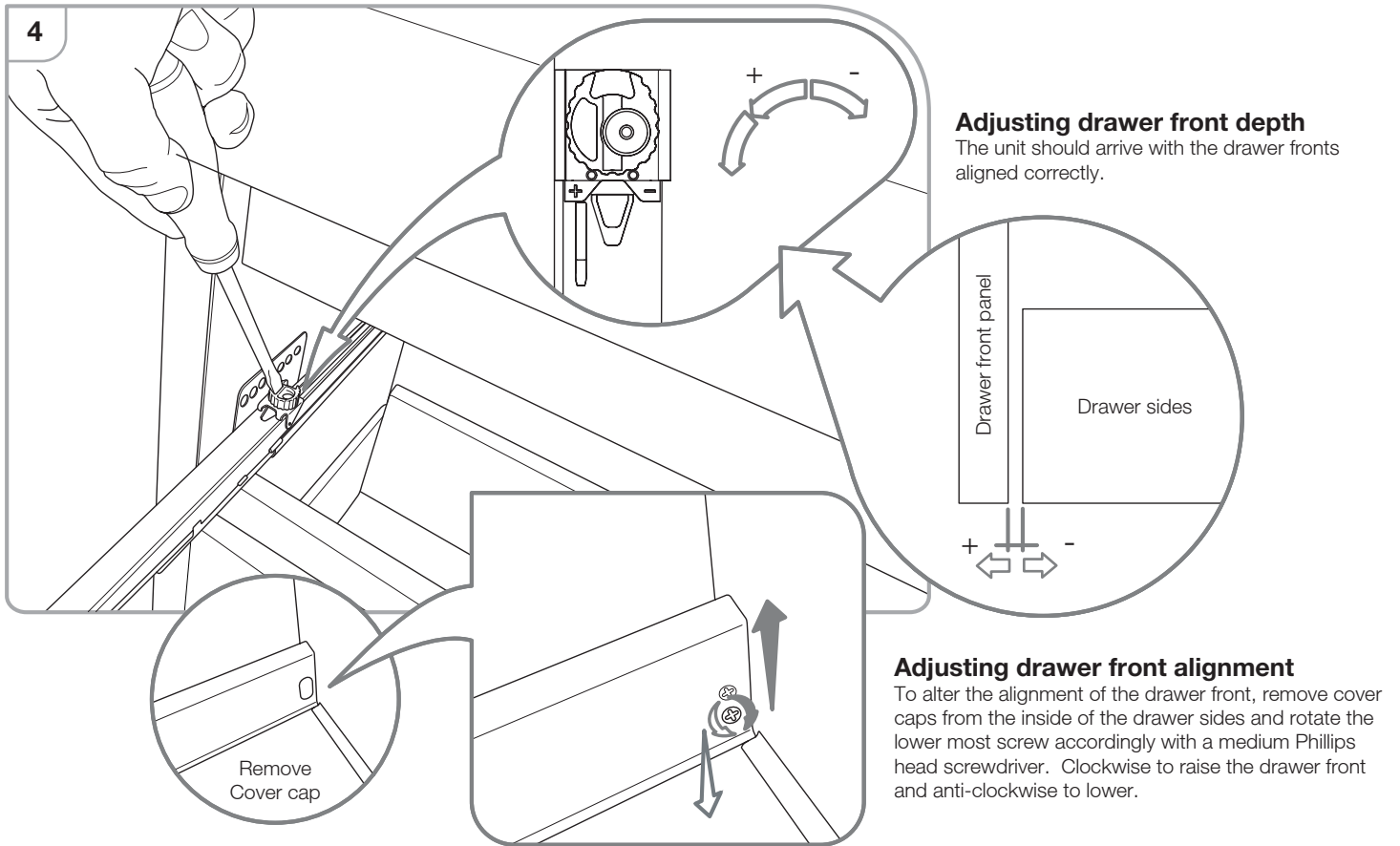
Using the screws packed with the handle, fix the handle through the pre-drilled holes from the back of the drawer front.

Fitting ceramic basin

Once the basin has been plumbed in finish by securing to the washstand using a silicone sealant (not supplied).

Drawer adjustment

Additional minor alterations are possible should they be necessary as below:



All wooden furniture should be treated with care...

We recommend



Wipe away any water splashes or condensation after use. Excessive exposure to water will deteriorate the furniture.



All bathrooms should be well ventilated with a suitable extractor fan.



Clean with a soft damp cloth only.



Use a wax free polish if one must be used.

For removal of lime scale deposits use a suitable proprietary cleaner. If necessary test on an inconspicuous area first.

Please DO NOT...



Do not scrub or scour



Do not use abrasive cleaning agents

Replacement components

Should you require any replacement components for this product please contact Tavistock using the contact details below.

plumbworld
Big brands, small prices.

Pdf Supplied By <http://www.plumbworld.co.uk/>