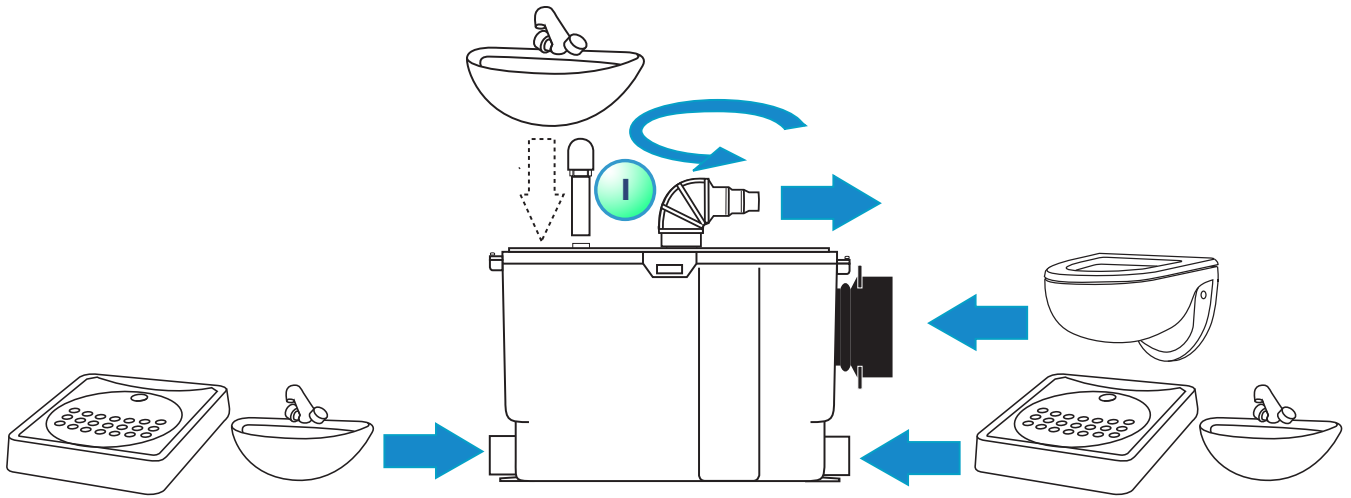


## 1. Description

Sanipack is a compact pump/macerator specially designed to take the waste from a wall hung or back to wall WC pan.



The Sanipack will pump away the waste from a WC, washbasin and shower. Sanipack is for domestic use. Installed and used correctly, Sanipack will give consistent and reliable service.

**Warning:** Do not use this unit with a shower discharging at more than 15 litres per minute.

Please pay particular attention to the following:



Possible danger to personnel

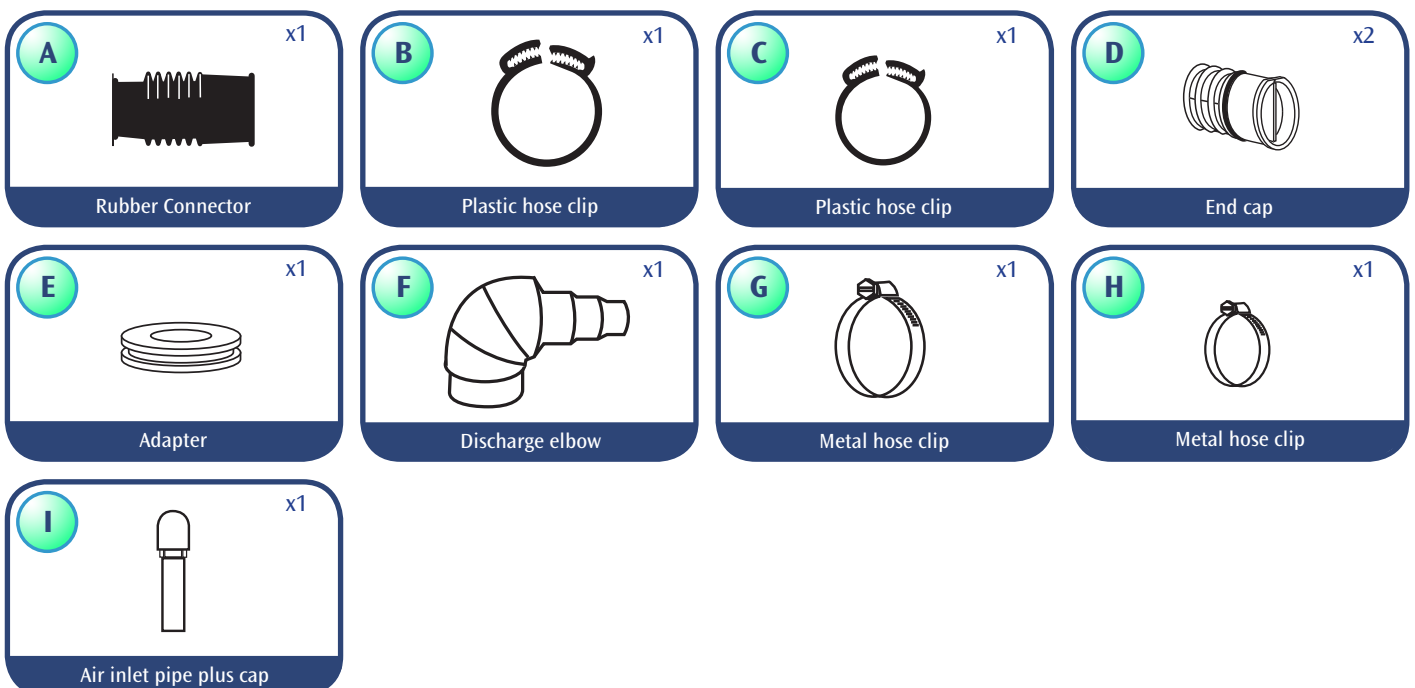


Warning of possible electrical hazard

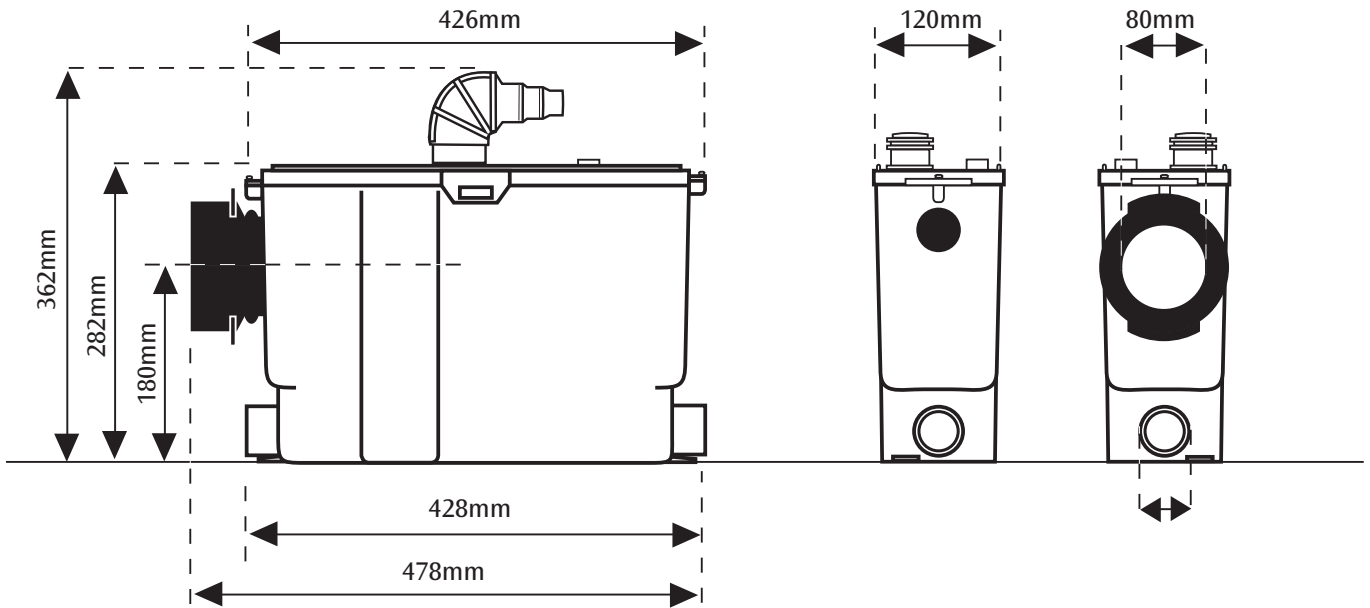
Please also see “10 golden rules” for correct Saniflo installation on [www.saniflo.co.uk](http://www.saniflo.co.uk)

**“ATTENTION”** This is a general warning that failure to follow instructions could result in poor functioning of the unit.

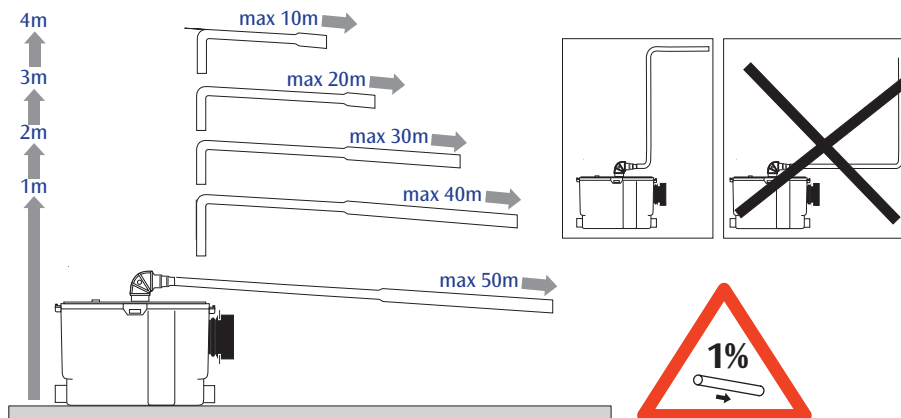
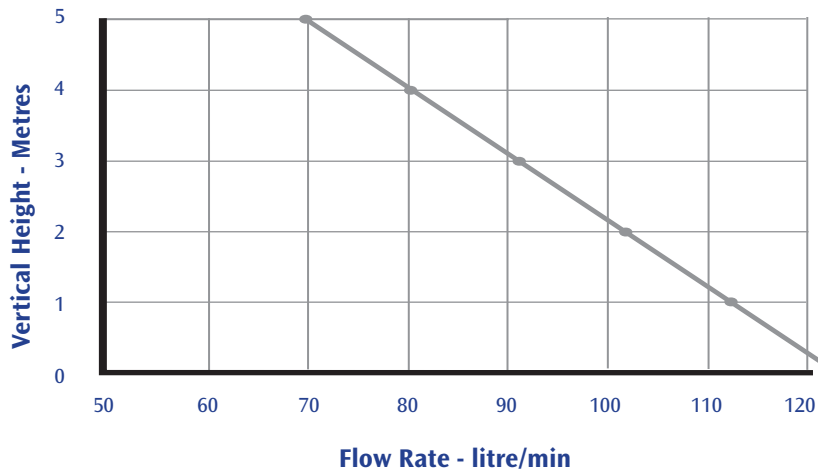
## 2. List of Accessories included



## 3. Dimensions and overall measurements



## 4. Performance Curve & Height and Length of the discharge pipe

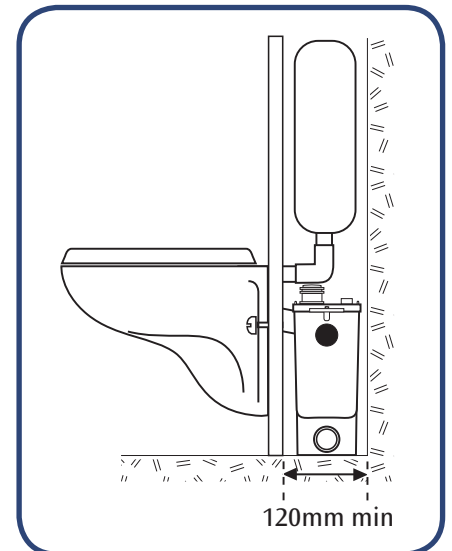
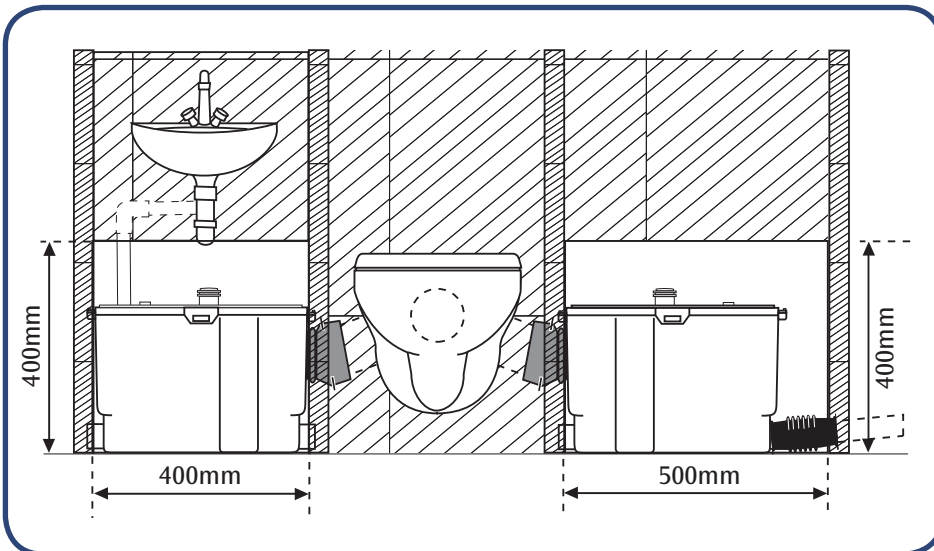
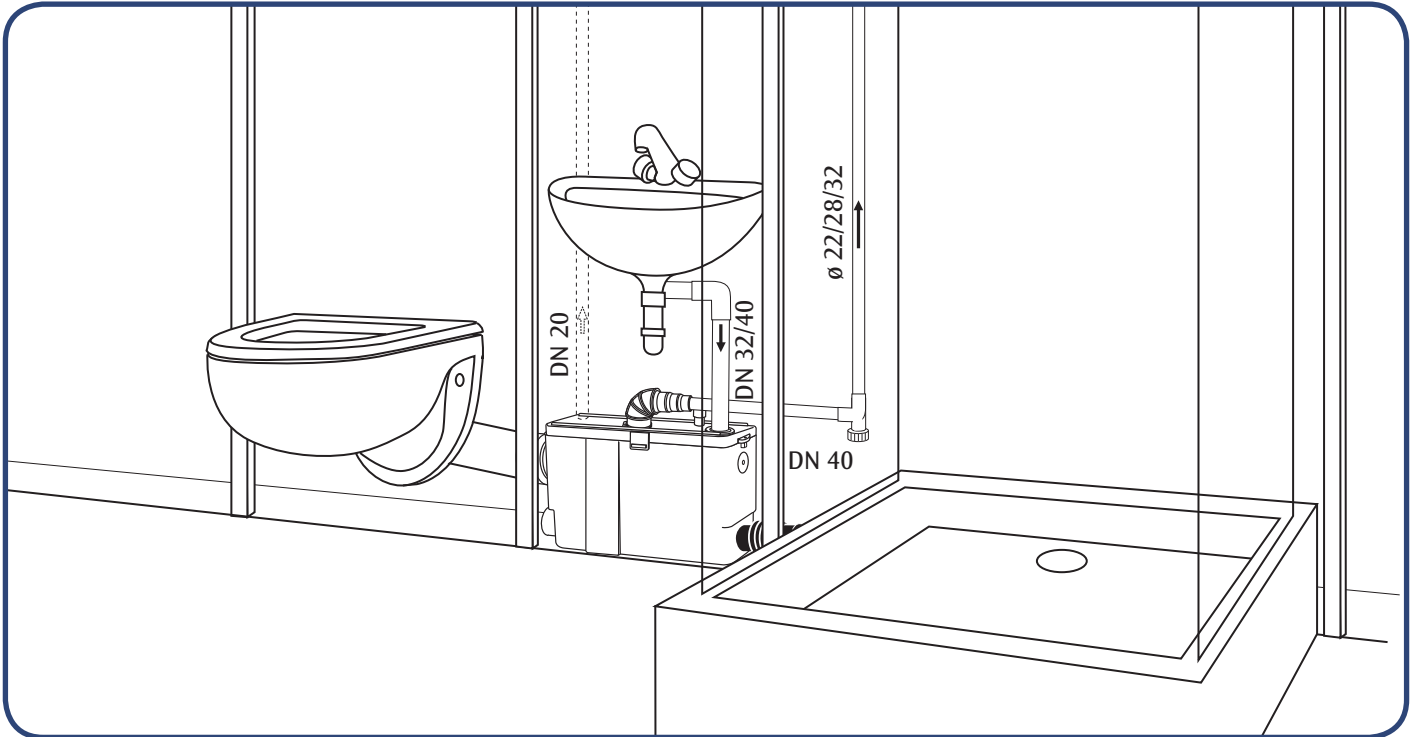


## 5. Installation

Sanipack is designed to fit behind panelling, and should be installed by a qualified person.

**WARNING: The unit must be connected to a WC pan with a horizontal outlet spigot**

The Sanipack has fastenings preventing it turning or from moving.



**Warning:**

Provide an access panel of the following dimensions to enable the unit to be removed for possible service:

L= 400mm x H = 400mm if the side inlets are not utilised

L= 500mm x H = 500mm if the side inlets are utilised

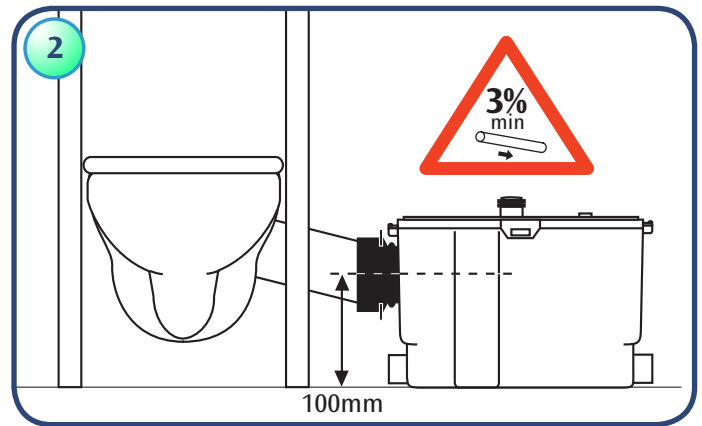
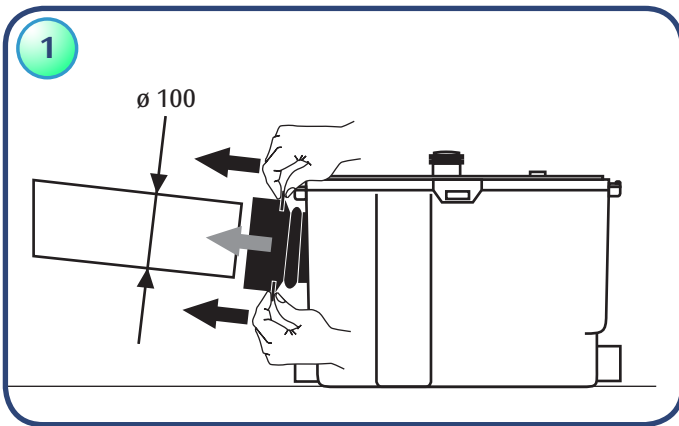
**Warning:** A screwdriver or other tool should be required to remove the access panel.

**Please note:**

The SANIFLO range of pumps / macerators are fitted with thermal cut out protection.

In the event of continuous water flow into the unit over a long period E.G a tap left running the motor will cut out to prevent damage and then self reset when it has cooled down (after 30 minutes).

## 6. Connection to a WC



The flexible sleeve is designed to fit onto the 100mm WC pan spigot.

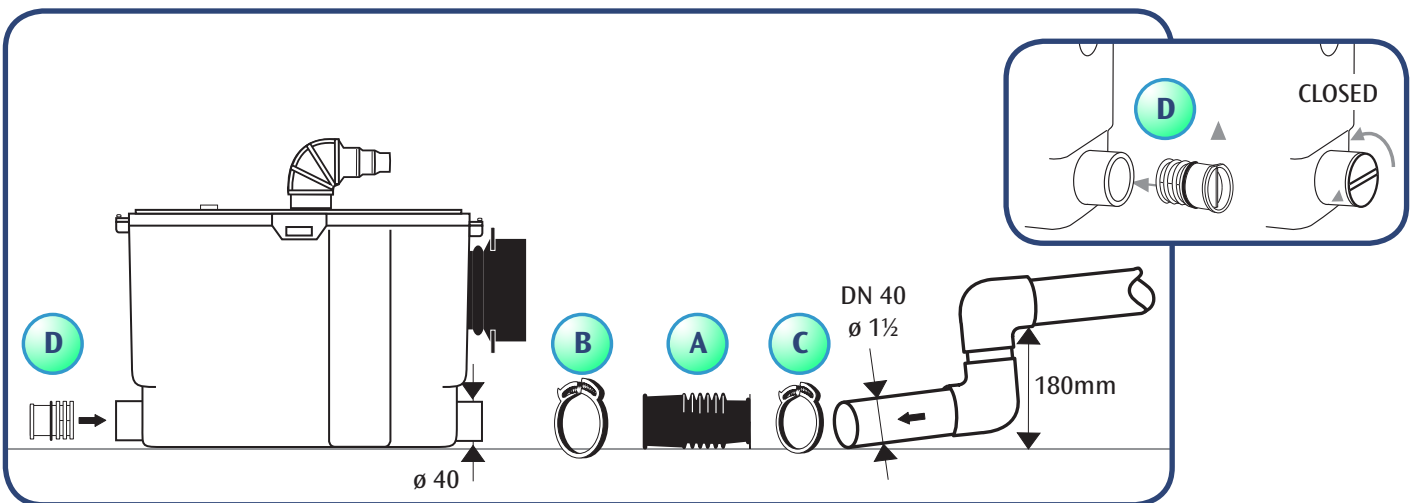
Grease the pan spigot with silicon lubricant or liquid soap.

Align the flexible sleeve with the pan spigot.

Pull the flexible sleeve over the pan spigot using the two ears projecting from the sleeve.

**Warning:** If the height of the WC can be adjusted, give a 3% minimum fall to the discharge pipe.

## 7. Connection of side-inlets (shower and washbasin)

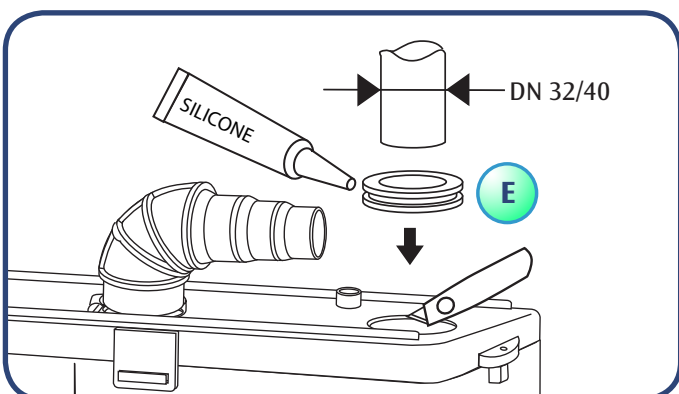


To make the connection to the side inlets, use connector (A). Secure it with plastic clips (B) and (C).

• Cap off unused inlets with plugs (D) (pre-grease the joint before fitting).

**Warning:** When fitting a shower, ensure that the underside of the tray is at least 12cm above floor level.

## 8. Connection of a washbasin



The washbasin can be connected in two ways.

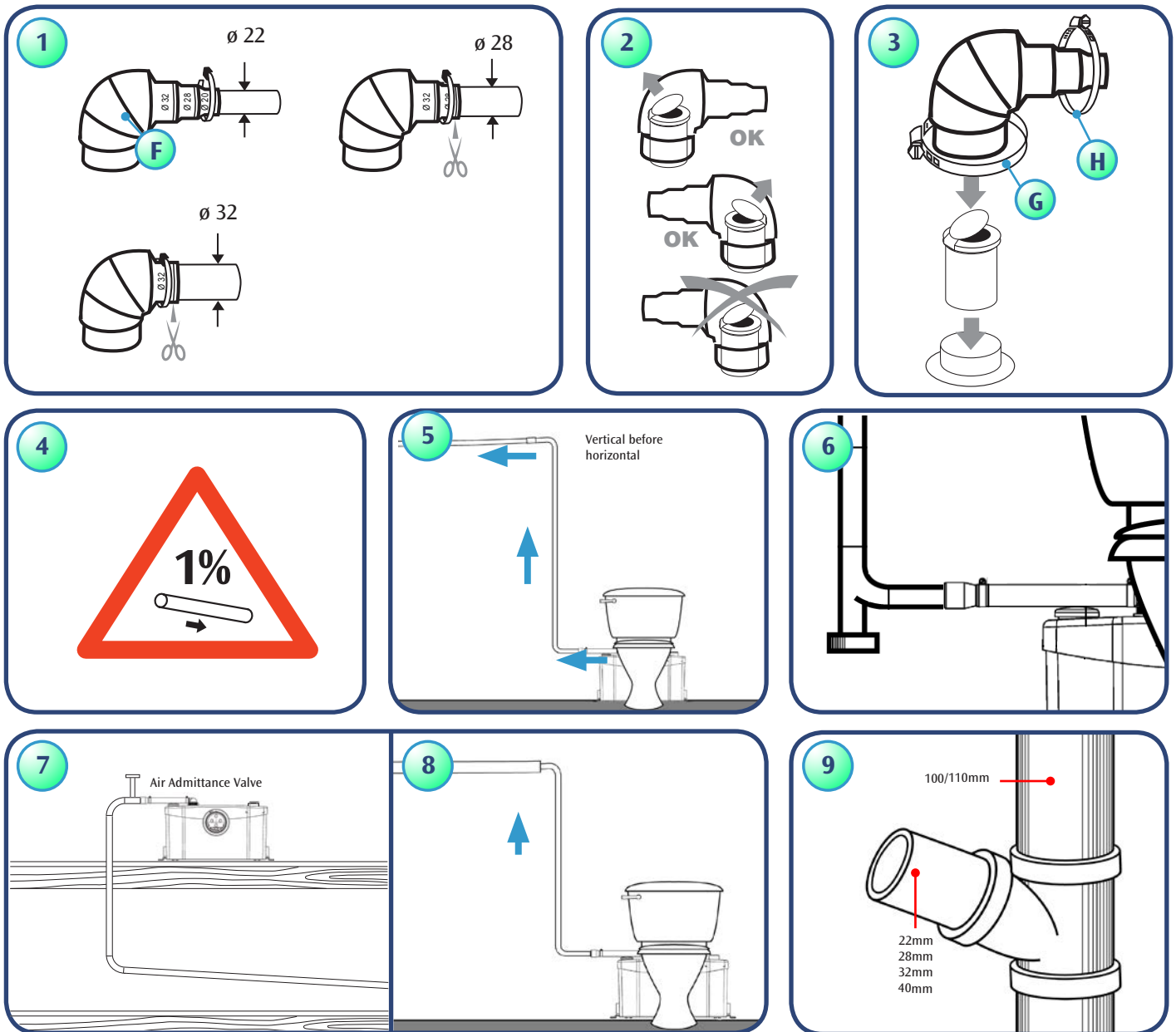
To one of the side inlets.

To the inlet on the lid (the premarked opening has to be cut out)

- Use a suitable cutter to make the opening in the lid.
- There is a ridge where the hole has been partially pre-cut. Cut the hole with care, and de-burr it, to avoid leaks when adapter is fitted.
- Insert the adapter (E) into the lid.
- Slide the washbasin waste pipe into the adapter (it will accept 32mm or 40mm pipe).

## 9. Connection of the discharge pipework

Note: Diagrams 5,6,7 & 8 show the Saniplus and not the Sanipack as an example only.



- 1 If required, cut off the end of the elbow (F) in order to accommodate the appropriate discharge pipe.
- 2 Point the non-return flap so that it opens in the direction of flow of the discharge pipe.
- 3 Secure the base of the discharge elbow with clip (G) and the discharge pipe end with clip (H).
- 4 Horizontal pipe runs must have a minimum fall of 1:100 (10mm per metre) to the soil stack.
- 5 If a vertical lift is required, it must be made before the horizontal run at the start of the piperun.
- 6 We would recommend that a drain-off point is installed to allow the discharge pipework to be drained down before any service work.
- 7 If the discharge pipework runs to a level considerably lower than the unit, the resultant siphoning effect can suck out the water seal in the unit. Fitting an air admittance valve capable of withstanding 10psi pressure (BBA approved) at the high point of the pipe run will overcome this problem.
- 8 Ensure all external pipework is adequately lagged to avoid the possibility of freezing.
- 9 The discharge pipework must be connected to the soil stack using an appropriate strap on boss.

**N.B. Any elbow on the discharge pipe of the unit will create friction loss (roughly 50cm per elbow to be deducted from the vertical pumping specification).**

Always use smooth bends (or 2 x 45 degree bends together) and not 90 degree elbows.

**Note.** The discharge pipework should be copper or rigid solvent weld plastic (22mm or 32mm).

## 10. Electrical connection



The electrical installation should be carried by a qualified person and conform to BS 7671 1992 requirements for electrical installation.

Sanipack requires a 220/240V single phase 50 Hz supply (UK specification) and should be connected to an unswitched fused wiring connector protected by a 5 amp fuse, or circuit breaker set to 30mA.

The wires in the mains lead of the Sanipack are coloured as follows:  
Brown – Live      Blue – Neutral      Green/Yellow – Earth

## 11. Norms

Sanipack conforms to EN 12050-3.  
Lifting plant for wastewater containing faecal matter for limited applications.

**SANIPACK®**  
Société Française d'Assainissement  
**EN 12050-3**  
ON07-K70  
220 - 240 V - 50 Hz - 400 W - IP44



## 12. Commissioning the unit

Once all electrical and plumbing connections have been checked, flush the WC. The motor of the Sanipack should operate from 10 to 20 seconds, depending on the height and length of the discharge pipework. If it runs for more than 25 seconds, check that the discharge pipe is not kinked or blocked.

To check that all connections are watertight, run the WC, shower, washbasin, one after the other for a few minutes to represent normal usage. Ensure there are no leaks.  
Do not secure the access panel until all the connections have been checked.

### Warning:

There should be no dripping of water from the WC cistern or taps. If there is, this will cause the unit to activate repeatedly as it pumps the water away.

## 13. Usage

A WC fitted with a Sanipack does not require any special maintenance. The Sanipack will operate automatically as soon as the required level of water enters the case.

The Sanipack will pump away the waste from a domestic WC, washbasin and shower.  
It is not suitable for heavy commercial/industrial applications.

### Warning:

If the Sanipack runs with very hot/boiling water for a prolonged time, the thermal cut out device will stop the motor from operating. In this case, it will take approximately  $\frac{1}{2}$  hour for the motor and water to cool down, after which it will automatically re-activate. Do not use Sanipack with a shower discharging at more than 15 litres per minute.

### Warning:

The Sanipack should only be used for the evacuation of normal human waste, toilet paper and household WC cleansers. Damage may occur to the machine if the following are disposed of in the WC: Cotton wool, tampons, sanitary towels, condoms, wet wipes, kitchen towels as well as other fabric or hard items.

A build-up of hair can cause problems, so a hair trap should be fitted to a shower.

Finally, solvents, acids and other chemicals can also damage the unit, and will invalidate the warranty.

## 14. Care of your unit

In order to remove scale and clean the macerator and the bowl, use a household descaler (like SANIFLO descaler). As a general rule, household disinfectants and bleaches designed for a normal WC are suitable for use with a Saniflo unit.

- Disconnect the macerator power supply.
- Pour an amount of descaler / bleach in the pan.
- Flush the WC once.
- Leave it to stand for 1 or 2 hours.
- Re-connect the macerator power supply.
- Rinse by operating the flushing system twice.

Carry out the operation once every 3 months on average, but the frequency may need to be changed depending on the hardness of the water.

## 15. Fault Finding / Remedies

For the most part any inconsistencies in the operation of the unit will be minor and easily rectified. Please refer to the chart below. If the problem cannot be easily remedied in this way. Please call our Service organisation.

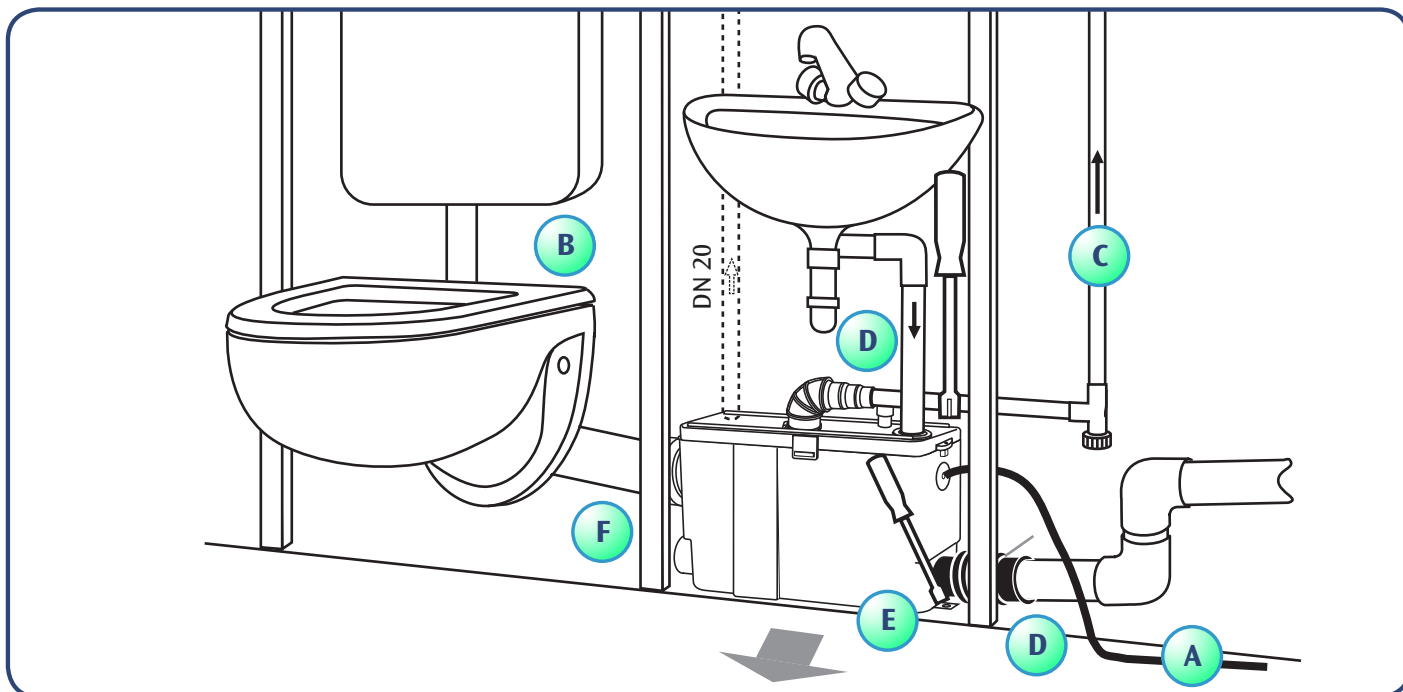


**IN ALL CASES, YOU MUST DISCONNECT THE MACERATOR FROM THE POWER SUPPLY**

**ALL WORK INVOLVING DISMANTLING OF THE APPLIANCE MUST BE CARRIED OUT BY AN APPROVED REPAIR AGENT**

| SYMPTOMS  | PROBABLE CAUSES   | REMEDIES   |
|---|---|--|
| <ul style="list-style-type: none"> <li>• The motor intermittently activates</li> </ul>                                | <ul style="list-style-type: none"> <li>• <i>The WC cistern or taps are dripping</i></li> <li>• <i>The external non-return valve (D) is faulty</i></li> </ul>  | <ul style="list-style-type: none"> <li>• Check the appropriate washers / seals on the cistern / taps etc</li> <li>• Clean or replace the non-return valve</li> </ul> |
| <ul style="list-style-type: none"> <li>• The water in the WC pan goes down very slowly</li> </ul>                     | <ul style="list-style-type: none"> <li>• <i>The inner grille is clogged.</i></li> <li>• <i>The opening from WC pan to the unit is blocked.</i></li> </ul>   | <ul style="list-style-type: none"> <li>• Call a service engineer to clear the grille.</li> <li>• Unblock the WC to unit connection.</li> </ul>                       |
| <ul style="list-style-type: none"> <li>• The motor operates normally, but continues to run for a long time</li> </ul> | <ul style="list-style-type: none"> <li>• <i>The length or height of the installation is over the specification, or there are too many bends/ elbows</i></li> <li>• <i>The pump itself is blocked</i></li> </ul> | <ul style="list-style-type: none"> <li>• Check the installation</li> <li>• Call a service engineer to inspect the motor</li> </ul>                                   |
| <ul style="list-style-type: none"> <li>• The motor does not activate</li> </ul>                                       | <ul style="list-style-type: none"> <li>• <i>The electrical supply is not active</i></li> <li>• <i>Problem with motor or electrical chamber</i></li> </ul>   | <ul style="list-style-type: none"> <li>• Restore the electrical supply</li> <li>• Call a service engineer to inspect the motor</li> </ul>                            |
| <ul style="list-style-type: none"> <li>• The motor emits a rattling or crunching sound.</li> </ul>                    | <ul style="list-style-type: none"> <li>• <i>A foreign object has entered into the grille via the WC pan.</i></li> </ul>   | <ul style="list-style-type: none"> <li>• Call a service engineer to remove the foreign object from the unit.</li> </ul>  |
| <ul style="list-style-type: none"> <li>• The motor hums, but does not run</li> </ul>                                  | <ul style="list-style-type: none"> <li>• <i>The capacitor or motor is defective</i></li> </ul>  | <ul style="list-style-type: none"> <li>• Call a service engineer to inspect the motor</li> </ul>   |

## 16. Removing the Sanipack from the WC suite



Any replacement of the power supply cable should only be carried out by an authorised SANIFLO service engineer.

- A** Disconnect the electrical power supply.
- B** Turn off the water feed to the WC cistern. Bail out as much water as possible from the cistern.
- C** Disconnect the discharge pipe.
- D** Disconnect the inlet connections.
- E** Unscrew the 2 fastening screws (on the ground).
- F** Ease the flexible connector off the WC pan spigot and slide the Sanipack out from behind the panel.

**Note:** To ease replacement of the lid onto the Sanipack case, lubricate the rubber seal with liquid soap before replacing.



**Do not reconnect the electrical supply until the re-installation of the unit is complete.**

## 17. Technical Data

|                             |                           |
|-----------------------------|---------------------------|
| Application                 | 1 WC + shower + washbasin |
| Maximum Vertical Pumping    | 4m                        |
| Maximum current consumption | 1,8 A                     |
| Normal Power Rating         | 400 W                     |
| Electric Class              | I                         |
| Type                        | ON01-K70                  |
| Degree of protection        | IP44                      |
| Net Weight                  | 4,8 kg                    |
| Voltage                     | 220-240 V                 |
| Frequency                   | 50 Hz                     |

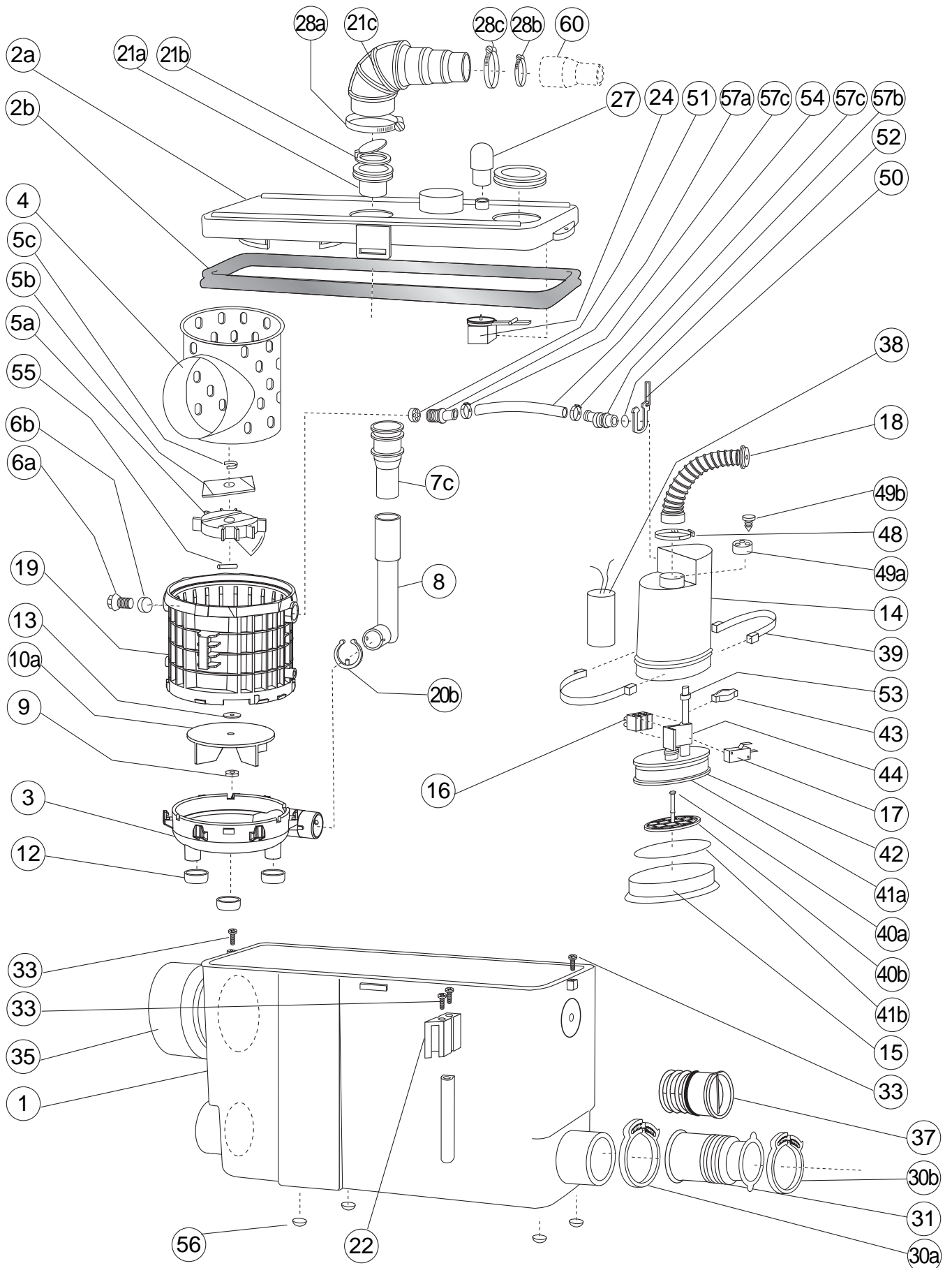
**WARNING:** Only installations conforming to the above specifications are acceptable.

## 18. Guarantee

2 years guarantee as from its date of purchase subject to correct installation and correct usage.



## 19. Parts



**plumbworld**  
**Big brands, small prices.**

Pdf Supplied By <http://www.plumbworld.co.uk/>