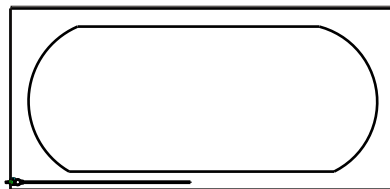
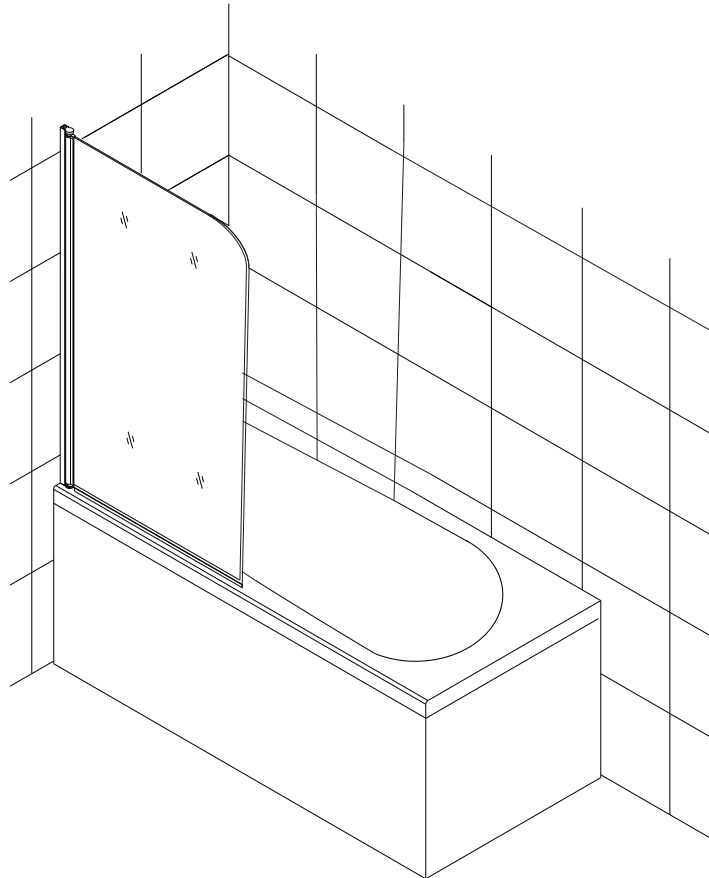


BATH SCREEN

INSTALLATION MANUAL

	GFESBA0006-12-01	800x1400mm
	GFESBA0006-95-01	



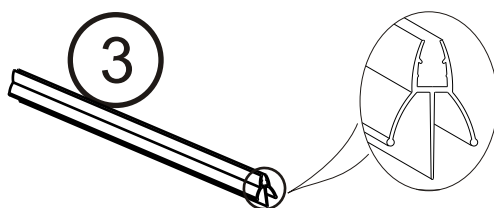
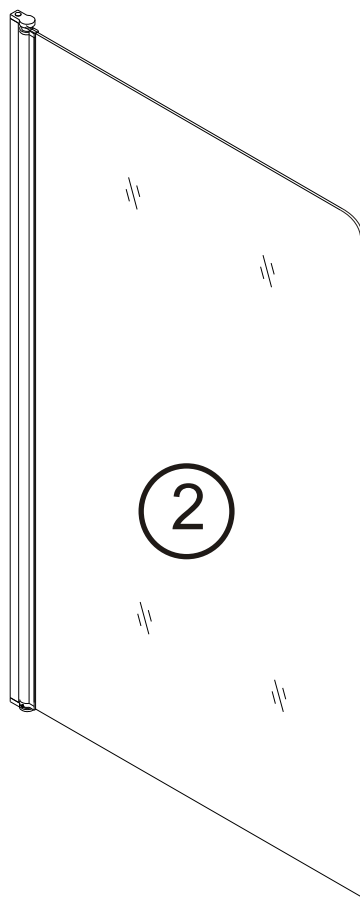
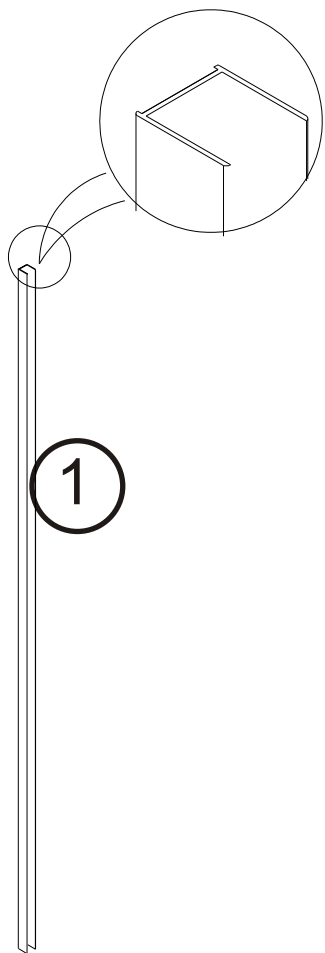
LEFT



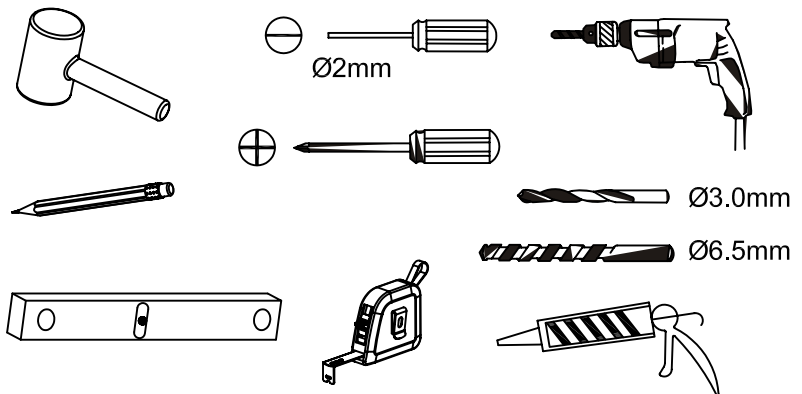
RIGHT




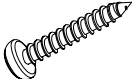
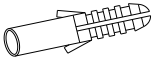
INSTRUCTION FOR ASSEMBLY

INSTALLATION AND USE

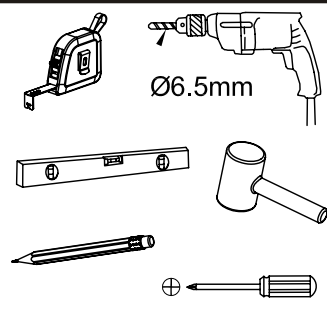
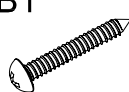
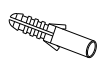


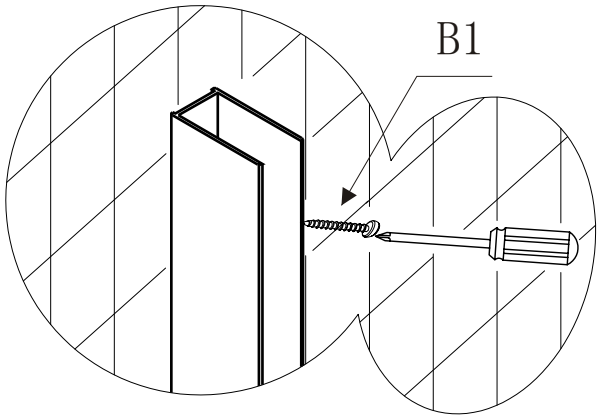
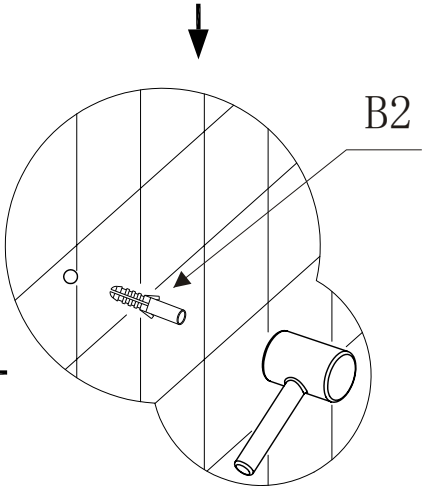
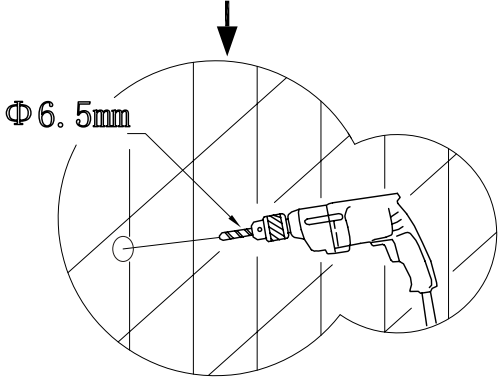
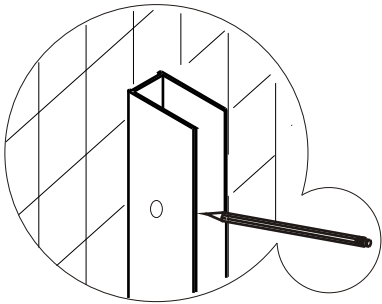
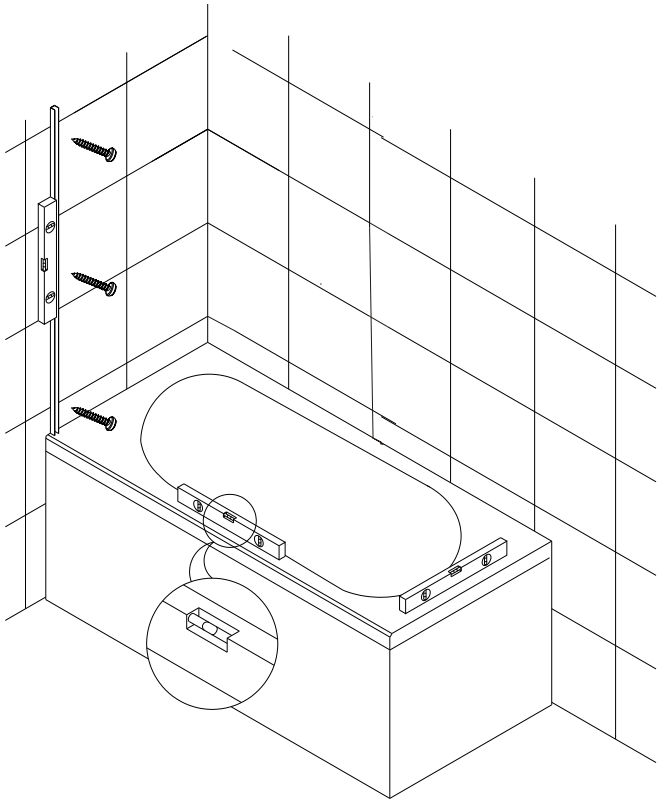
■ You will need



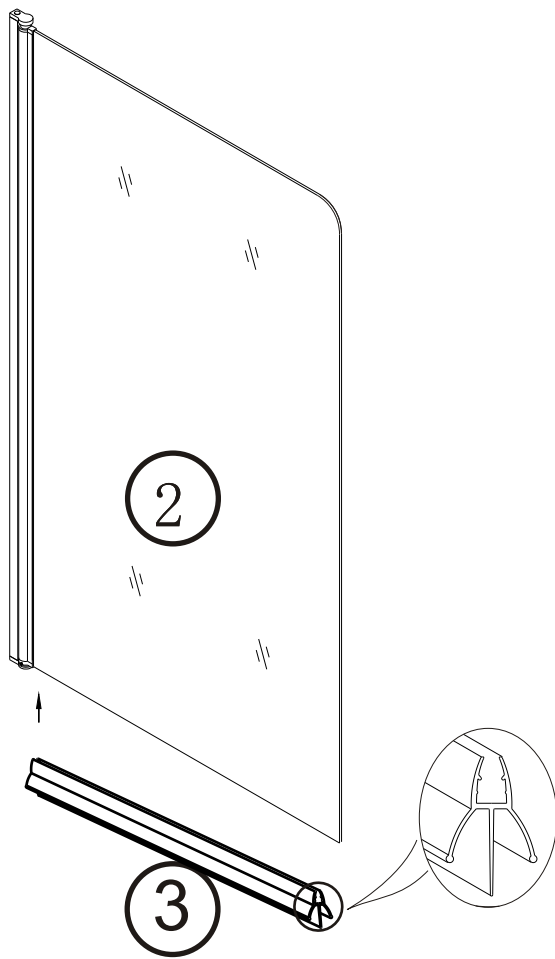
A1		X3
A2		X3
A3	 ST4X12	X3
B1	 ST4X35	X3
B2		X3

1

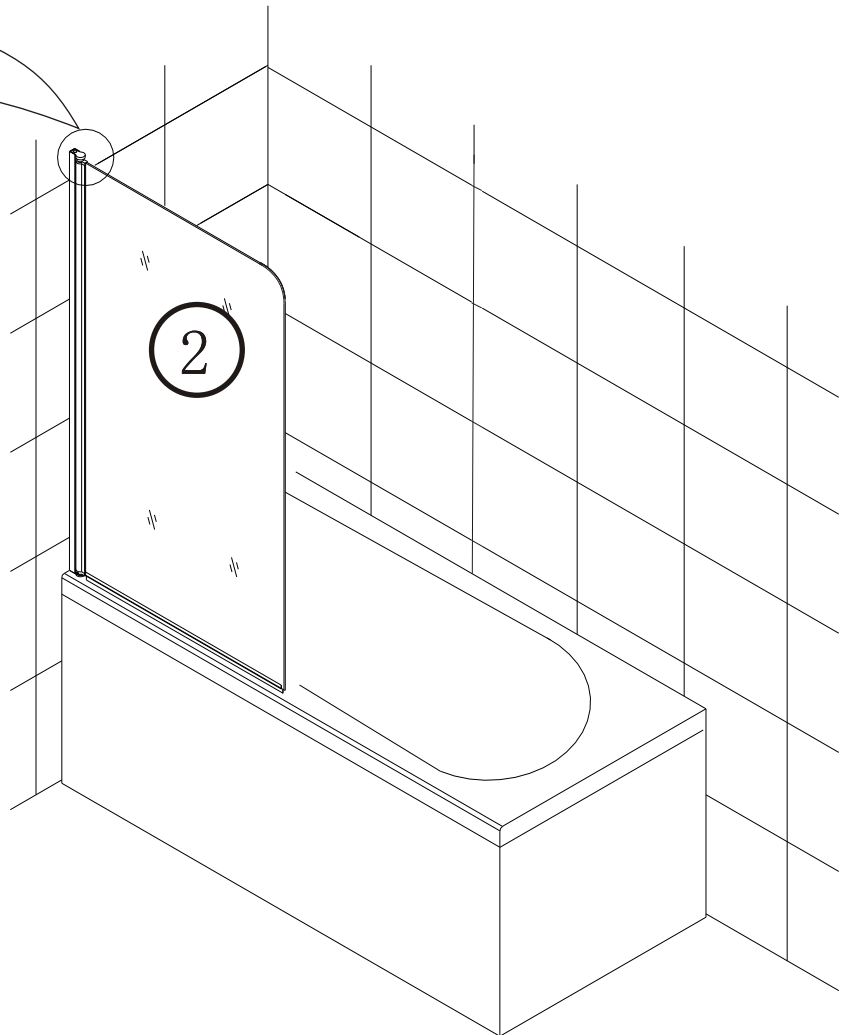
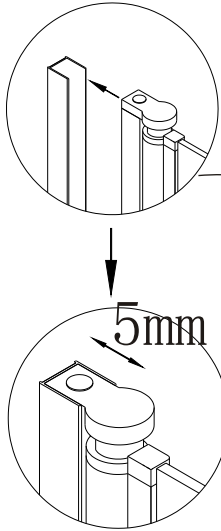
	<p>B1</p>  <p>X3</p>
<p>Ø6.5mm</p>	<p>B2</p>  <p>X3</p>





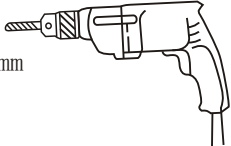


2

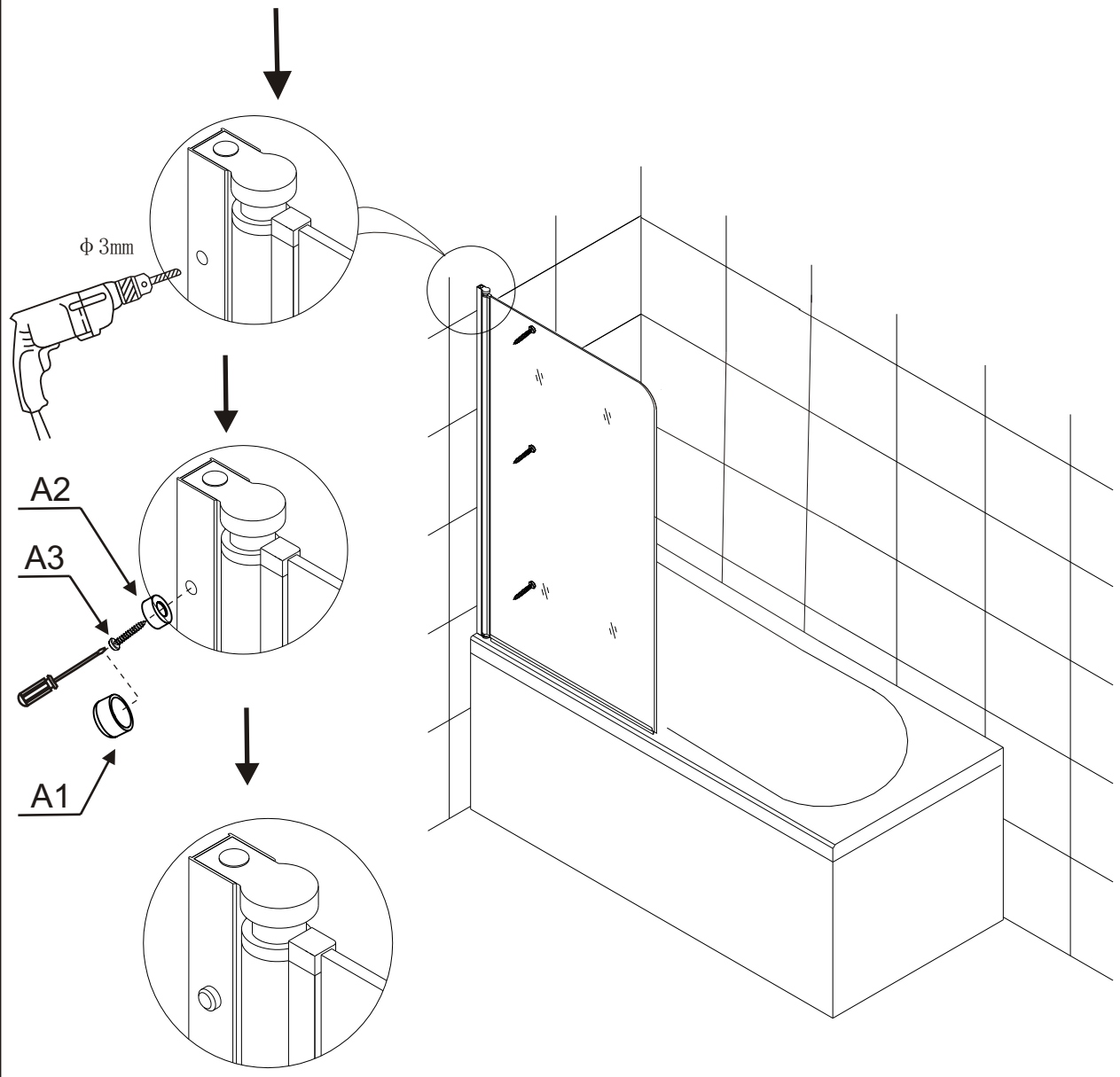


3

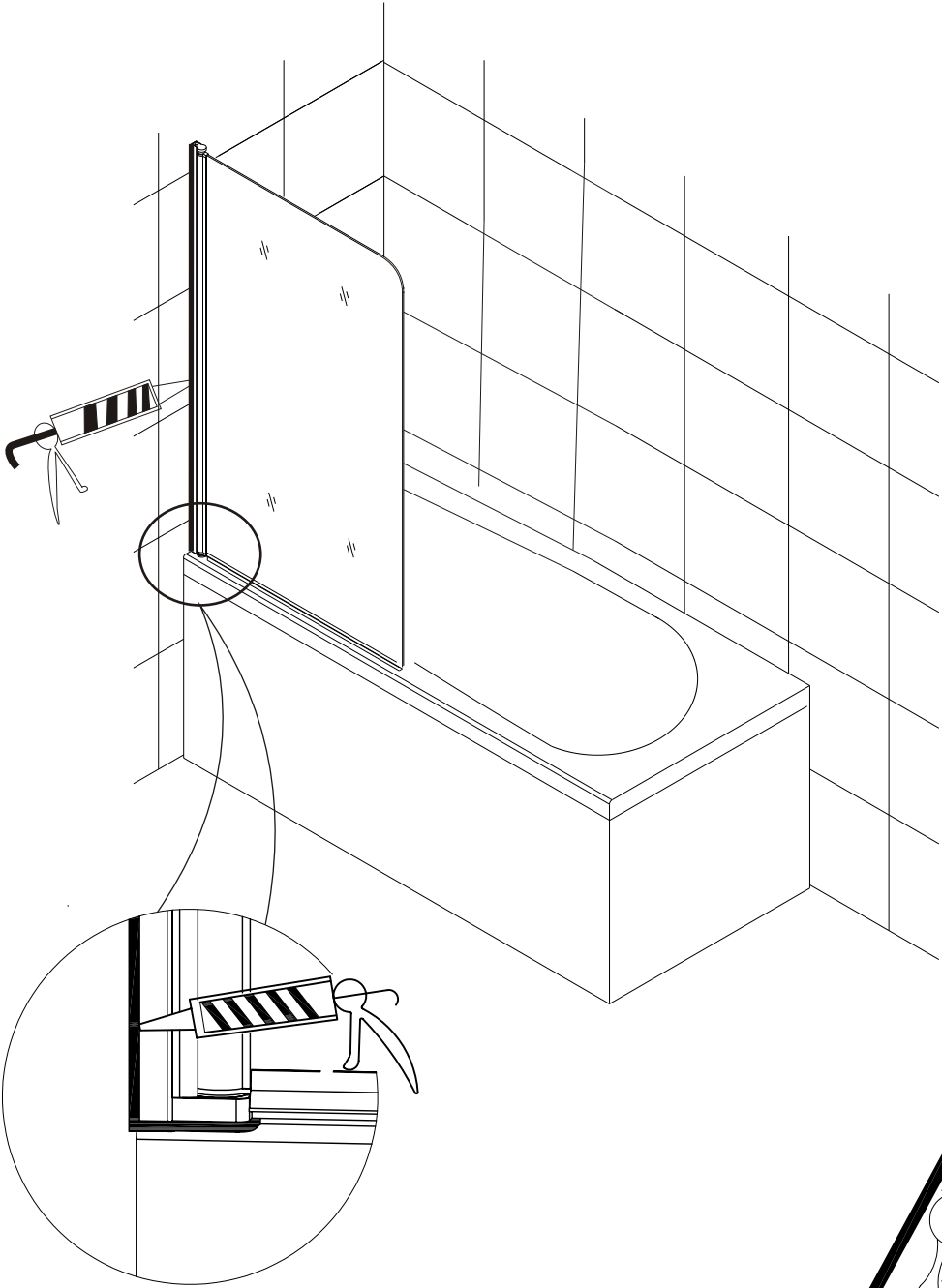
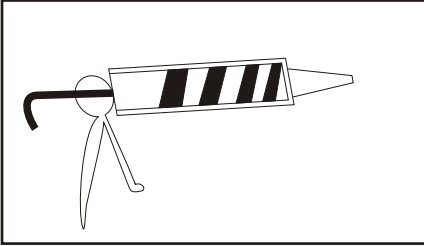


4

	A1  X3
 Φ 3mm	A2  X3
	A3  X3



5



plumbworld
Big brands, small prices.

Pdf Supplied By <http://www.plumbworld.co.uk/>