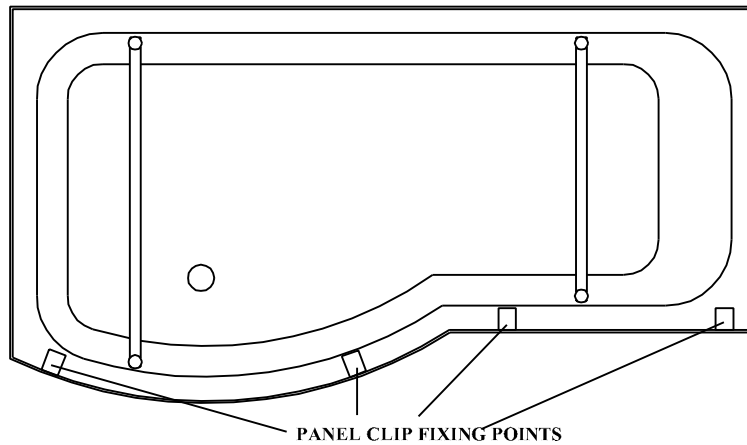
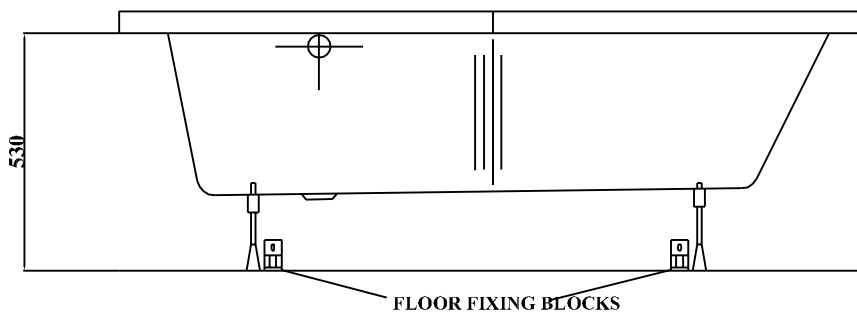


B BATH PANEL FIXING INSTRUCTIONS

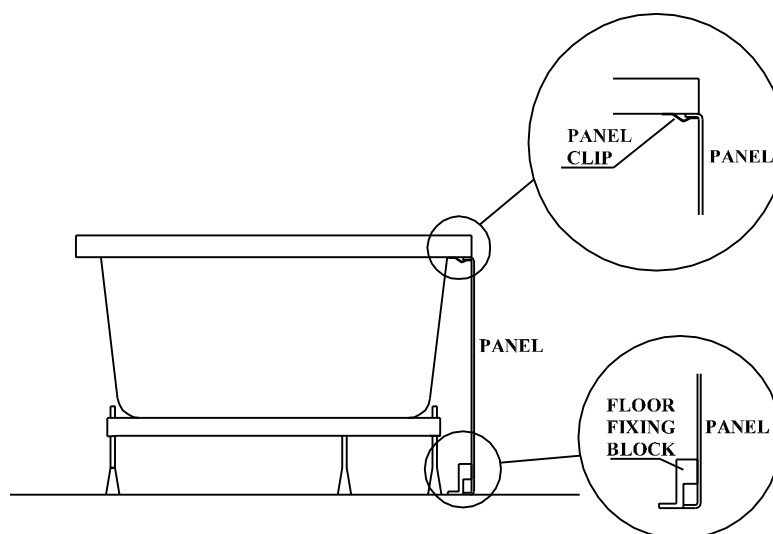


FIX THE PANEL CLIPS TO THE 4 WOODEN BLOCKS UNDER THE BATH RIM



MEASURE THE HIEGHT OF THE PANEL, AND SET THE BATH TO THIS DIMENSION FROM THE FLOOR TO THE UNDERSIDE OF THE BATH RIM.

SET THE FLOOR FIXING BLOCKS INTO POSITION AS SHOWN ABOVE.



PLACE THE FLOOR BLOCKS SO THEY ARE PLUMB WITH THE BATH RIM AND CLIP THE PANEL INTO POSITION.