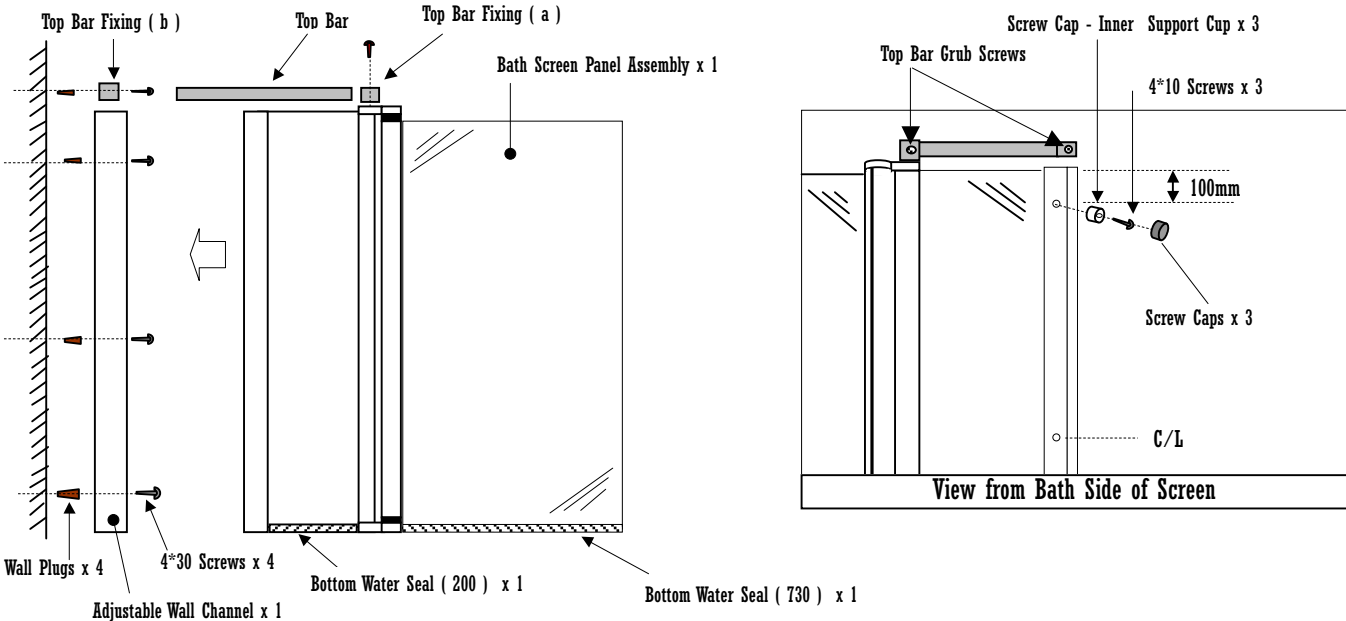


# NSSQ1 Installation Guide

## Packing List

Please carefully check the Packing List to ensure that all parts are included.

Bath Screen Panel Assembly	1 pce	Wall Plugs	4 pces	
Adjustable Wall Channel	1 pce	4*30 Screws	4 pces	
Bottom Water Seal ( 730mm )	1 pce	4*10 Screws	3 pces	
Bottom Water Seal ( 200mm )	1 pce	Allen Key	1 pce	
Screw Cap - Inner Support Cup	3 pces	Top Bar ( Stainless Steel Tube )	1 pce	} ( 1 ) Pack
Decorative Screw Cap	3 pces	Top Bar Fixing Assemblies	2 pce	



## Installation Steps :

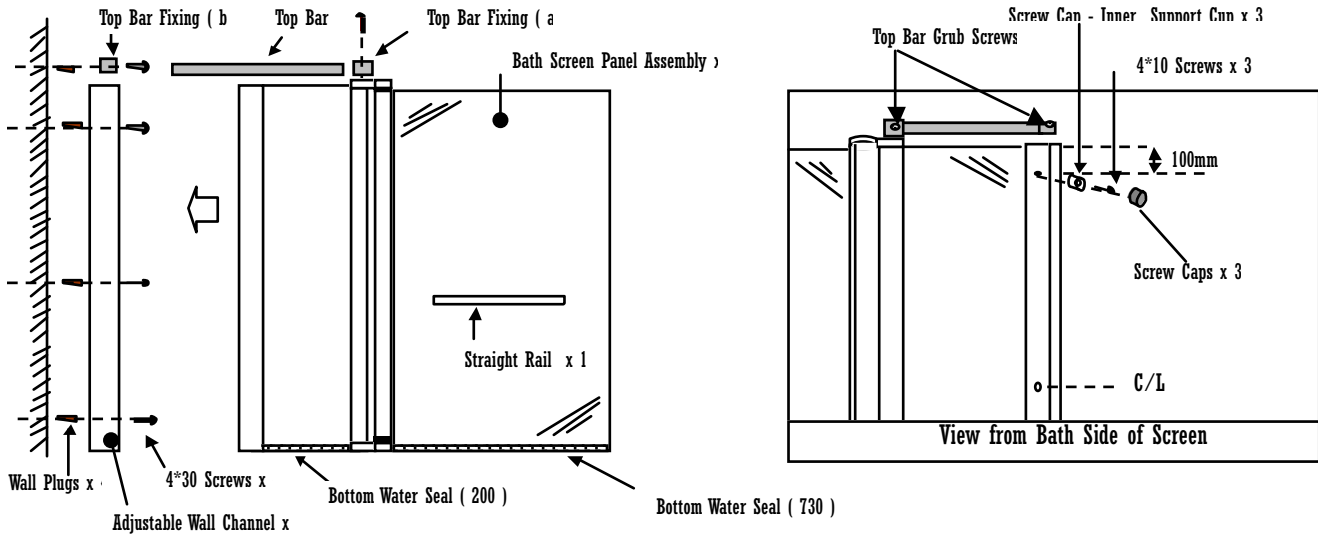
1. Collect Bottom Water Seal (200mm) x 1. Measure glass, cut seal to the correct length ensuring a tight fit to prevent water leaks. Assemble Seal to lower edge of Fixed Screen.
2. Collect ( 1 ) Pkt of Top Bar Assembly which contains ( 1 ) Top Bar & ( 2 ) Fixings. The fixings are normally fastened to the Top Bar with Grub Screws, so it may be necessary to loosen these before the fixings can be removed. Remove Previously assembled 4\*40 Screw from Top Hinge, collect (1) Top Bar Fixing and using the removed screw assemble Top Bar Fixing ( Position a ) to the Top Hinge.
3. Insert the Bath Screen Side Pillar into the Wall Channel.
4. When the Bath Screen has been aligned, mark the position of the Wall Channel on the wall. Remove the Screen, realign the Wall Channel and mark the Wall Channel Screw Hole positions on the wall.
5. Using a 4mm Masonry Drill Bit, Drill 3 x 35mm deep holes in the marked Screw positions on the wall.
6. Insert the 3 x Wall Plugs into the holes, Using a Hammer knock them in until they are flush with the wall.
7. Attach the Adjustable Wall Channel to the wall using 3 x 4\*30 Screws.
8. Insert the Side Pillar into the Wall Channel.
9. Adjust the position of the Bath Screen Assembly until it is Level ( Parallel ) with the bath.
10. From Inside of the Bath Screen Assy, Make a mark in the Wall Channel approx 100mm from the Top.  
Note: The Wall Channel Design, allows for Shower Screens to be adjusted so that they can be used on wall surfaces that are not vertical. When marking the hole position, please check to ensure that the drilled hole will go through both the Wall Channel and the Side Pillar.
11. Using a 3.2mm Dia HS Twist Drill bit, Drill 1 Hole through the upper marked hole position. The hole must be drilled through the Wall Channel & Side pillar until it reaches the centre ( Do Not Drill right through both sides ).
12. Secure the upper section of the Wall Channel to Side Pillar by using 1 x Inner Screw Support Cup and 1 x 4\*10 Screw. ( Do Not Over Tighten )
13. Ensuring that the Bath Screen is still aligned as required, mark the position of the lower bath Screen Support Screw position approx 100mm from the bottom of the Wall Channel.
14. Repeat Items 11 & 12 for lower Bath Screen Support Screw position.
15. Mark the Centre support screw position approx equal distance between Top & Bottom Screws and Repeat Items 11 & 12.
16. Assemble the Screw Covers x 3 onto the Inner Screw Support Cups.
17. Collect Bottom Water Seal (730mm) x 1 and assemble to lower edge of Screen. As necessary cut the seal to make it level with the open edge of the screen.
18. Measure the required length of the Top Bar and cut to length. ( Note: Cut the open end of the bar ) The forward end of the bar is already drilled, so the length of the bar needs to be measured from this point.
19. Mark the position of the Top Bar location to wall. Using a 4mm Masonry Drill Bit, Drill 1 x 35mm deep hole in the marked Screw positions on the wall.
20. Insert 1 x Wall Plug into the hole, Using a Hammer, knock it in until it is flush with the wall.
21. Attach the 2nd Top Bar Fixing to the Wall ( Position b ) using a 4\*30 Screw.
22. Collect Top Bar and locate it to the two previously assembled Top Bar Fixing Brackets. Insert a grub screw into Top Bar Fixing (a)' then mark the position of the 2nd hole in Fixing ( b ), through the grub screw hole. Remove the bar and drill a clearance hole in the position marked on the bar. Note: Only drill through the first wall thickness.
23. When the 2nd hole has been drilled in the Top Bar, relocate it to the two previously assembled Top Bar Fixing Brackets. Secure the top bar using the supplied Allen Key to tighten the Grub Screws in each of the Top Bar Fixings, these can be accessed from the bath side of the screen.

# NSSQR2 Installation Guide

## Packing List

Please carefully check the Packing List to ensure that all parts are included.

Bath Screen Panel Assembly	1 pc	Wall Plugs	4 pces	
Adjustable Wall Channel	1 pc	4*30 Screws	4 pces	
Bottom Water Seal ( 730mm )	1 pc	4*10 Screws	3 pces	
Bottom Water Seal ( 200mm )	1 pc	Allen Key	1 pce	
Stainless Steel Straight Rail Set	1 pc	Top Bar ( Stainless Steel Tube )	1 pce	} ( 1 ) Pack
Screw Cap - Inner Support Cup	3 pces	Top Bar Fixing Assemblies	2 pce	
Decorative Screw Cap	3 pces			



## Installation Steps :

- Collect Bottom Water Seal (200mm) x 1. Measure glass, cut seal to the correct length ensuring a tight fit to prevent water leaks. Assemble Seal to lower edge of Fixed Screen.
- Collect ( 1 ) Pkt of Top Bar Assembly which contains ( 1 ) Top Bar & ( 2 ) Fixings. The fixings are normally fastened to the Top Bar with Grub Screws, so it may be necessary to loosen these before the fixings can be removed. Remove Previously assembled 4\*40 Screw from Top Hinge, collect (1) Top Bar Fixing and using the removed screw assemble Top Bar Fixing ( Position a ) to the Top Hinge.
- Insert the Bath Screen Side Pillar into the Wall Channel.
- When the Bath Screen has been aligned, mark the position of the Wall Channel on the wall. Remove the Screen, realign the Wall Channel and mark the Wall Channel Screw Hole positions on the wall.
- Using a 4mm Masonry Drill Bit, Drill 3 x 35mm deep holes in the marked Screw positions on the wall.
- Insert the 3 x Wall Plugs into the holes, Using a Hammer knock them in until they are flush with the wall.
- Attach the Adjustable Wall Channel to the wall using 3 x 4\*30 Screws.
- Insert the Side Pillar into the Wall Channel.
- Adjust the position of the Bath Screen Assembly until it is Level ( Parallel ) with the bath.
- From Inside of the Bath Screen Assy, Make a mark in the Wall Channel approx 100mm from the Top.  
Note: The Wall Channel Design, allows for Shower Screens to be adjusted so that they can be used on wall surfaces that are not vertical. When marking the hole position, please check to ensure that the drilled hole will go through both the Wall Channel and the Side Pillar.
- Using a 3.2mm Dia HS Twist Drill bit, Drill 1 Hole through the upper marked hole position. The hole must be drilled through the Wall Channel & Side pillar until it reaches the centre ( Do Not Drill right through both sides ).
- Secure the upper section of the Wall Channel to Side Pillar by using 1 x Inner Screw Support Cup and 1 x 4\*10 Screw. ( Do Not Over Tighten )
- Ensuring that the Bath Screen is still aligned as required, mark the position of the lower bath Screen Support Screw position approx 100mm from the bottom of the Wall Channel.
- Repeat Items 11 & 12 for lower Bath Screen Support Screw position.
- Mark the Centre support screw position approx equal distance between Top & Bottom Screws and Repeat Items 11 & 12.
- Assemble the Screw Covers x 3 onto the Inner Screw Support Cups.
- Collect Bottom Water Seal (730mm) x 1 and assemble to lower edge of Screen. As necessary cut the seal to make it level with the open edge of the screen.
- Measure the required length of the Top Bar and cut to length. ( Note: Cut the open end of the bar ) The forward end of the bar is already drilled, so the length of the bar needs to be measured from this point.
- Mark the position of the Top Bar location to wall. Using a 4mm Masonry Drill Bit, Drill 1 x 35mm deep hole in the marked Screw positions on the wall.
- Insert 1 x Wall Plug into the hole, Using a Hammer, knock it in until it is flush with the wall.
- Attach the 2nd Top Bar Fixing to the Wall ( Position b ) using a 4\*30 Screw.
- Collect Top Bar and locate it to the two previously assembled Top Bar Fixing Brackets. Insert a grub screw into Top Bar Fixing (a)' then mark the position of the 2nd hole in Fixing ( b ), through the grub screw hole. Remove the bar and drill a clearance hole in the position marked on the bar. Note: Only drill through the first wall thickness.
- When the 2nd hole has been drilled in the Top Bar, relocate it to the two previously assembled Top Bar Fixing Brackets. Secure the top bar using the supplied Allen Key to tighten the Grub Screws in each of the Top Bar Fixings, these can be accessed from the bath side of the screen.
- Collect Door - Straight Rail Set x 1 and assemble to Bath Screen through the holes in glass.

**plumbworld**  
**Big brands, small prices.**

Pdf Supplied By <http://www.plumbworld.co.uk/>