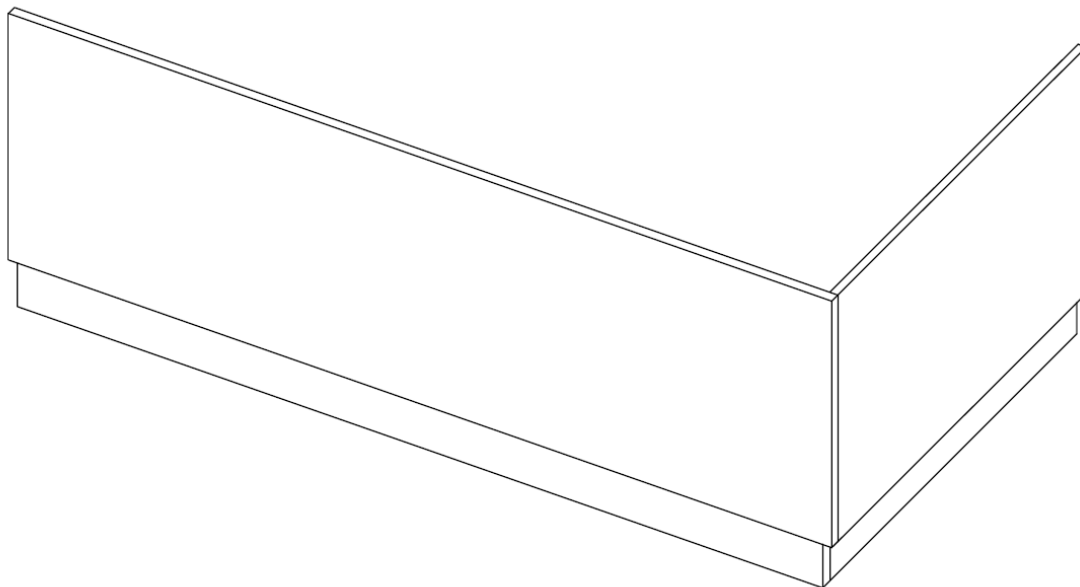
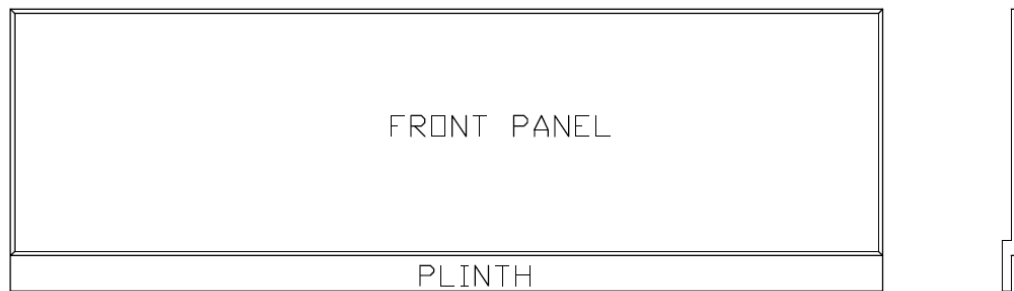


STD BATH FRONT AND END PANEL FIXING INSTRUCTIONS



- SET THE BATH TO THE CORRECT HEIGHT FOR THE PANEL OR MEASURE THE HEIGHT THAT THE PANEL NEEDS TO BE, BY MEASURING FROM UNDER THE BATH RIM TO THE FLOOR.
- IF NECESSARY TRIM THE PANEL TO SUITE.
- IT IS ADVISABLE TO BUILD A FRAME OR PLACE BATTENS ALONG THE FLOOR AND DOWN THE WALL SIDES TO SUPPORT THE PANEL.
- WHEN AN END PANEL IS USED IT MAY BE NECESSARY TO TRIM THE PLINTHS SO THAT THE FRONT AND END PANELS CAN BUTT TOGETHER. ANY TRIMMING SHOULD BE DONE AT THE WALL ENDS TO ENSURE THAT THE FINISHED EDGE IS AT THE VISIBLE CORNERS.
- FRONT AND END PANELS CAN BE FASTENED TOGETHER USING SCREWS FASTENED INTO THE FRAMEWORK.