

Please tape down

Please tape down

3rd Fold

Affix  
Stamp



**NewTeam Ltd.**

Customer Service Dept.  
Brunel Road  
Earlstrees Industrial Estate  
Corby  
Northants  
NN17 4JW

1st Fold

2nd Fold



# Installation Instructions and User Guide

NEWTEAM ELECTRIC SHOWER

IN THE EVENT OF A QUERY, PLEASE CONTACT  
THE NEWTEAM CUSTOMER HELPLINE

Tel: 01536 264 012



PLEASE KEEP THIS BOOKLET  
FOR FUTURE REFERENCE.

DEAR INSTALLER, WHEN YOU HAVE READ THESE INSTRUCTIONS  
PLEASE ENSURE YOU LEAVE THEM WITH THE USER.

## Product Features

**1. Reduce Temperature Indicator**

Indicator light to show when the temperature selection is too high.

**2. Low Pressure Indicator**

Indicator light to show low incoming water pressure.

**3. Standby Indicator**

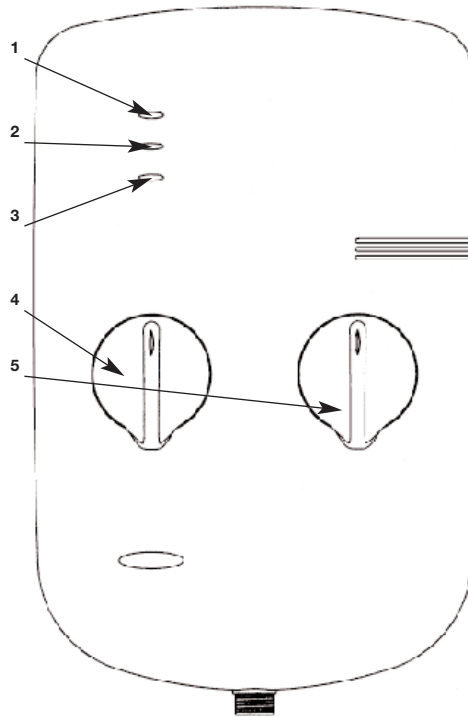
Status light for standby informs the unit is ready for operation.

**4. Power Control**

Adjustable power settings: Cold, Medium and High.

**5. Temperature Control**

Adjustable Temperature Control



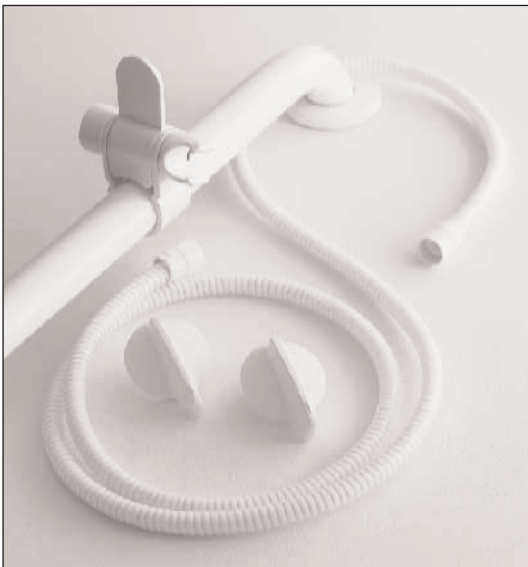
**Note: Electric Shower Comfort Pack available separately.**

For customers with special requirements a Grab Bar Rail Pack, especially designed for use with NewTeam Electric Showers, can be purchased.

The pack includes a sturdy grab bar rail, which also acts as a riser rail, giving extra safety and confidence to those who have less stability when showering.

Extra long temperature and power control levers are easier to operate for elderly or arthritic hands. A generous 2 metre hose gives extra comfort for carers.

**Product code:** NT/SPC/WT



## Installation & Operating Instructions for NewTeam Electric Showers

Please read this booklet carefully and ensure the installation is undertaken by a competent person.

**Please note:**

Following the headings in sequence will guide you through the installation and operation of your NewTeam Electric Shower.

<b>Planning Your Installation</b>	_____	<b>3</b>
<b>Fitting Your Shower</b>	_____	<b>4-6</b>
• Plumbing Connections		
• Electric Connections		
• The Unit		
• Riser Rail, Hose and Handset		
<b>Preparation for first use</b>	_____	<b>7</b>
<b>User Instructions</b>	_____	<b>7-9</b>
<b>Trouble Shooting</b>	_____	<b>9</b>
<b>Spare Parts Listing</b>	_____	<b>10</b>
<b>Installers Notes</b>	_____	<b>11-12</b>
<b>Guarantee</b>	_____	<b>13-14</b>

Refer to back cover for Guarantee, Customer Service and Replacement Parts Policy. In the event of any query regarding installation, please contact NewTeam Customer Service Department.

**Tel: 01536 264 012 • Fax: 01536 409 201**

**E-mail: [service@newteam.co.uk](mailto:service@newteam.co.uk) • E-mail: [spares@newteam.co.uk](mailto:spares@newteam.co.uk)**

In line with our policy of continual product development, the specifications may be varied and product design altered. We reserve the right to depart from the details given in this manual without prior notice.

# Planning your Installation

## Plumbing (Fig. 1)

The installation must comply with all Water Authority and Building By-laws and regulations.

To ensure the correct operation of this shower, it must be installed to a mains cold water supply with a **minimum** running pressure of 1.0 bar (14.5 PSI) using 15mm pipework (see Fig. 1).

This shower can be supplied from a cold water storage tank, providing there is a minimum static head of 10 metres from the base of the storage tank, to the handset position. If this option is taken it must only be on a totally dedicated supply to the shower.

The shower **must not** be installed in an area subject to freezing conditions. **Do not** use if you suspect the shower is frozen, this will damage the shower unit.

An additional service valve must be installed in the water supply to the shower as an independent means of isolation for future servicing requirements.

**Do not** exceed the maximum inlet pressure.

Maximum pressure	10 Bar (10 metre)
Minimum pressure (running)	1 Bar (1 metre)
Rated pressure	0 Bar

## Electrics

**Warning: This appliance must be earthed.**

	Rating at 240V	Rating at 230V
NewTeam 7.8	7.8kW	7.2kW
NewTeam 8.5	8.5kW	7.8kW
NewTeam 9.5	9.5kW	8.7kW
NewTeam 10.4	10.4kW	9.5kW

The Electrical Installation and Circuit Protection of this shower must comply with I.E.E Wiring Regulations and should be checked by a qualified electrician prior to use.

**Please note:** It is important to switch off the fuse box before connecting the cable. Please check for any hidden pipes and cables.

A separate and permanently connected cable must be taken from the consumer unit directly to the shower via a double pole switch with a **minimum** contact separation gap of 3mm. It is recommended that a residual current device (RCD) formerly known as an earth leakage circuit breaker (ELCB) with a tripping current of 30mA, is incorporated in the circuit.

The isolating switch can be a ceiling mounted pullcord switch within the bathroom or wall mounted in an adjacent room. The switch must be easily accessible and identifiable as the supply to the shower.

In domestic installations you must ensure that the electrical supply and existing fuse board are adequately rated.

**Important:** Voltage drop in the supply to the premises, due to heavy local demand, will affect the performance.

To ensure optimum performance and trouble-free service from your shower, care should be taken during installation. This shower incorporates a pressure relief device, in the unlikely event of the device discharging, it is advisable to position the shower unit over the bath or shower tray.

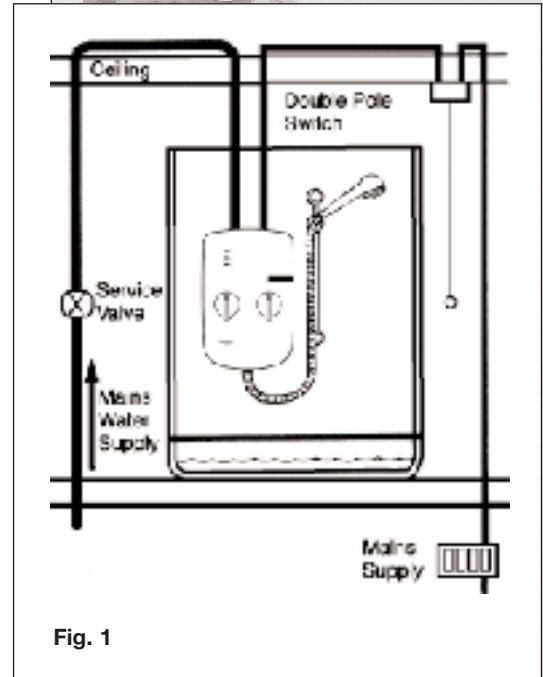
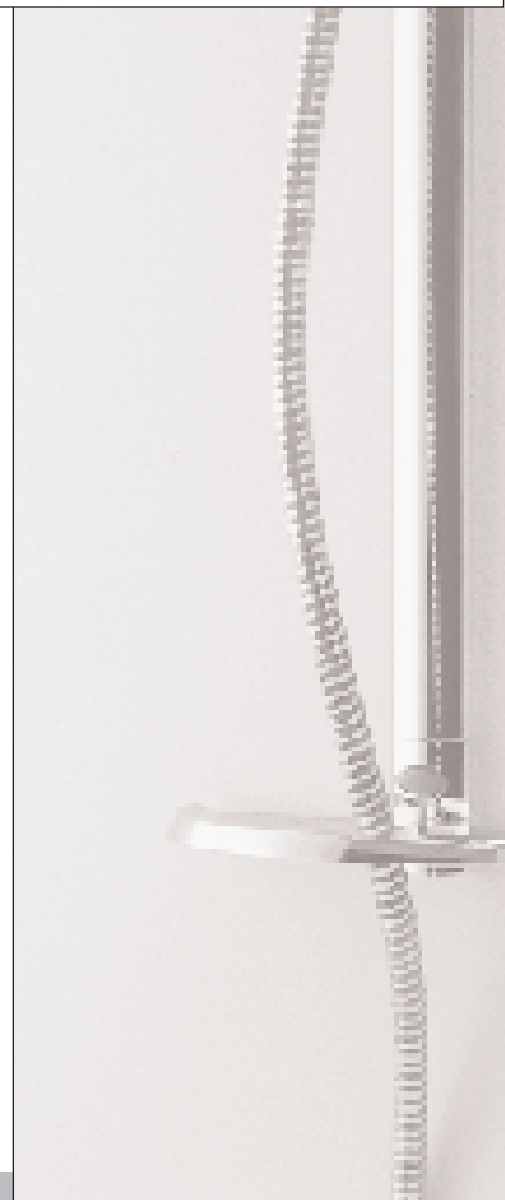


Fig. 1



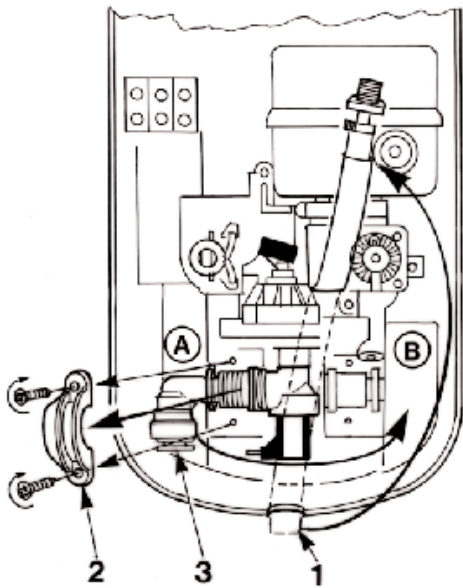


Fig. 2

If the shower is to be installed in a hard water area, we recommend that an in-line scale reducer is fitted. Please refer to your supplier for advice.

## Options

- The pipework can enter the shower from the left or right of the shower unit.
- If using the inlet connection to the left, the pipework can enter from the top, bottom or rear.
- If using the inlet connection to the right, the pipework can only enter from the bottom or rear.

## Changing the inlet connection from the left to the right (Fig. 2)

- Lift out the outlet connection (1) from the shower unit case and bend upwards.
- Remove the two fixing screws and the clamp (2).
- Swivel the inlet elbow (3) solenoid assembly over to the right.
- Locate the assembly into the cradle and re-fix the clamp and the two fixing screws.
- Re-position the outlet flexible into the shower unit case.
- Remove the appropriate cable/pipework access panel or insert from the unit base.

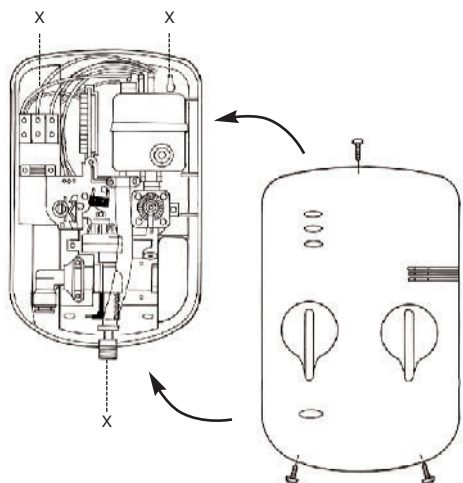


Fig. 3

## Fitting the shower to the wall (Fig. 3)

**Warning: Before drilling please check for any hidden pipes and cables.**

- Select the position for the shower and offer the shower unit up to the wall, marking the 3 fixing points. Drill, insert the wall plugs and secure the shower unit to the wall.

## Plumbing connections

- The outlet of this shower acts as a vent and **must not** be connected to any tap or fitting not recommended by NewTeam Limited. **Do not** use any jointing compounds during the installation.
- **Do not** solder within 300mm of the shower unit or allow solder or flux to fall onto the casings.
- All plumbing connections should be completed before any electrical work is undertaken.

## Procedure

- Turn off the mains cold water supply and connect and run pipework to the shower. An additional service valve **must** be installed for future servicing requirements.
- Flush out the pipework prior to fitting the shower.
- If pipework entry is from the rear, ensure that there is space left around the push-fit elbow for future servicing. Bring the cold water pipe to the shower position and connect to the inlet elbow.

# Fitting your Shower

- The inlet pipe connection into the elbow is a self-seal, push-fit type. All burrs and rough edges must be removed from the end of the tube.
- If a chrome plated tube is used, remove the first 25mm of plating.
- To release the pipework from the push-fit fitting, press and hold the grey collet against the elbow and pull the pipe out of the fitting.
- Turn on the supply and inspect for water tightness.

## Electrical connections

**Warning: This appliance and all connecting pipework must be earthed.**

- Ensure that an earth continuity conductor is securely and permanently connected to all exposed, metal parts of other services and appliances within the room where the shower is installed.
- All cables **must** conform to the relevant tables within the I.E.E Regulations. The supply cable can be surface mounted and clipped, recessed or in conduit as detailed within the I.E.E Regulations.

## Procedure (Fig. 4)

- Ensure the electricity supply is switched off.
- Run the electrical supply cable from the consumer unit via an appropriate isolating switch and into the mains terminal block (1) in the shower unit.

- Connect to terminals as follows:

Live	Terminal L
Neutral	Terminal N
Earth	Terminal $\perp$

- The earth cable, where stripped, must be sleeved prior to connection to the terminal block. All terminals must be carefully tightened to avoid trapping the cable insulation with the retaining screws.
- Secure the supply cable using the clamp, which is reversible for use with 6mm<sup>2</sup> or 10mm<sup>2</sup> cables. If a cable size greater than 10mm<sup>2</sup> is used, the clamp should be discarded.

**Warning: Do not turn on the electricity supply until the cover assembly has been replaced.**

- Before fitting the cover (2) ensure power spindle (6) and temperature spindle are in the correct position; for example, power spindle has narrow side at the 12 O' Clock position (see Fig. 5) and the temperature spindle has locking clicker (5) at the 6 O' Clock position.

If the clicker has been removed then it **must** be refitted as follows:

- Rotate the spindle fully clockwise to the stop position.
- Fit the clicker with the aim to the left of the stop (11 O' Clock position).

## NewTeam Electric

- Offer the cover (2) onto the shower unit, ensuring that the power selector knob indicator is pointing to the N°.10 setting.
- When the power selector and the temperature knobs are correctly engaged, push on the cover (2) and fix with the three screws (3) provided.
- Turn on the electricity supply. The standby light (4) should now be illuminated.  
Please refer to 'User Instructions' section, to familiarise yourself with the controls before using the shower.

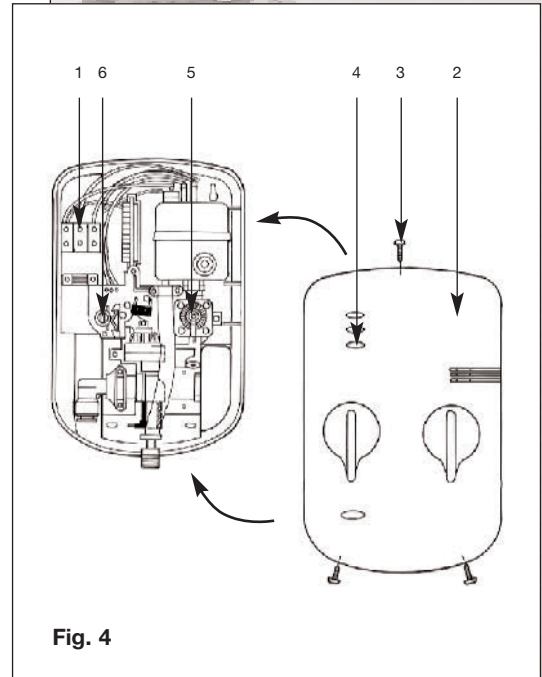


Fig. 4

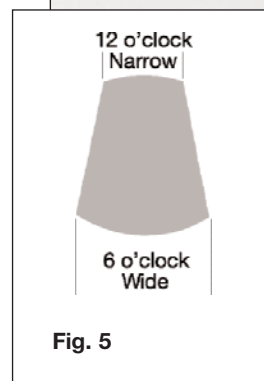


Fig. 5

## Spirit Rail Kit

Before proceeding with fitting the rail, identify each of the items supplied using the illustration.

The slider need not be removed from the rail during fitting. The top of the slider has a smooth profile, whereas the underside has a recess revealing the grooves on the handset holder.

No	Part Description
1	Rail end cap
2	Spirit level
3-4	Rail with slider attached
5	Soap Dish
6	Screw cap
7	Soap dish fixing screw
	Rail fixing screws & wall plugs

Fit the soap dish onto the bottom end of the rail and secure using the small screw from the kit.

Position the rail on the wall, bearing in mind the heights of people likely to use the shower, and the length of the hose when connected to the shower and passed through the retaining hole in the soap dish. Mark the wall to indicate the upper fixing screw position. Screw centres are 605 mm (approx. 23 - inches,) apart.

Drill the wall at the marked fixing position using a 6 mm drill, and loosely fix the rail end, checking that the rail is hanging vertically using the spirit level incorporated into the top end of the rail. The bubble should be exactly between the two lines on the spirit level body. Mark the position for the lower fixing screw, move the rail to one side, drill the wall, and fix the lower end of the rail.

Check that the rail is vertical and tighten both fixing screws.

Slide the end cap into position on the top end of the rail, and fit the screw cover into the recess in the soap dish.

When fitting the hose, it should pass through the larger hole of the soap dish.

**NOTE:** The hose nut, and not the handset handle, fits into the slider, and the slider moves more freely on the rail if gripped next to the rail, rather than at the handset.

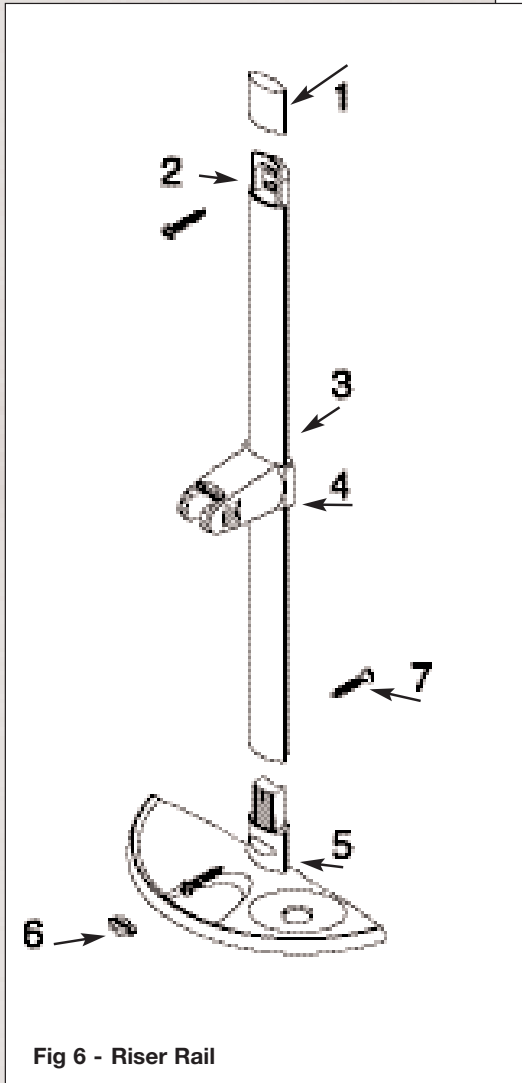


Fig 6 - Riser Rail





# Preparation for First Use

## Preparation for First Use

- Ensure that the 'Power Selector' knob is turned fully anti-clockwise to read 'Power Setting'.
- Rotate the 'Temperature Control' knob fully clockwise.
- Turn on the water supply and inspect for water tightness.
- Turn on the electricity supply and the 'Standby' neon will illuminate.
- Rotate the 'Power Selector' clockwise, to the 'Cold' position. Water will flow from the handset at minimum flow. Allow the water to run freely for 60 seconds.
- Turn the temperature knob to mid-position.
- Rotate the 'Power Selector' clockwise to the 'Medium' position. The water temperature will gradually increase.
- Rotate the 'Power Selector' clockwise to the 'High' position and the water temperature will increase further.
- To select your ideal shower temperature, rotate the 'Temperature Control' clockwise to increase and anti-clockwise to decrease.

**Note:** When the temperature setting is adjusted, the flow rate of the water will change, after a short time the temperature will stabilise.

- To turn the shower off, rotate the 'Power Control' knob anti-clockwise to the 'Off' position. The shower will run on for a few seconds to flush out excess hot water from the unit and help prevent limescale build-up.
- The setting of the temperature control will vary in some months of the year, due to the change in temperature of incoming mains water.

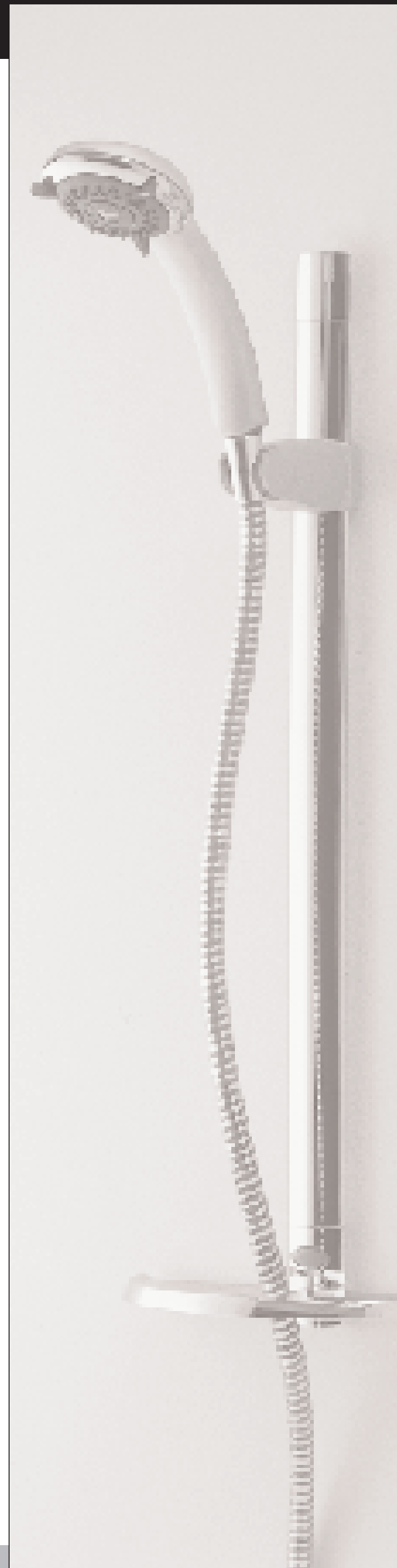
## User Instructions

### Control Features

<b>See Fig. 7</b>
1 Standby Indicator
2 Power Selector
3 Temperature Control
4 Reduce Temperature Indicator
5 Low Pressure Indicator
6 Pressure Relief Outlet Grill

#### Operating your Shower (Fig. 7)

- Ensure that both the water and electricity supplies to the shower are turned on. When the 'Standby' light (1) is illuminated the shower is ready for use.
- Rotate the 'Power Selector' control (2) to the desired power setting.
- Rotate the 'Temperature Control' (3) until your desired showering temperature is achieved.



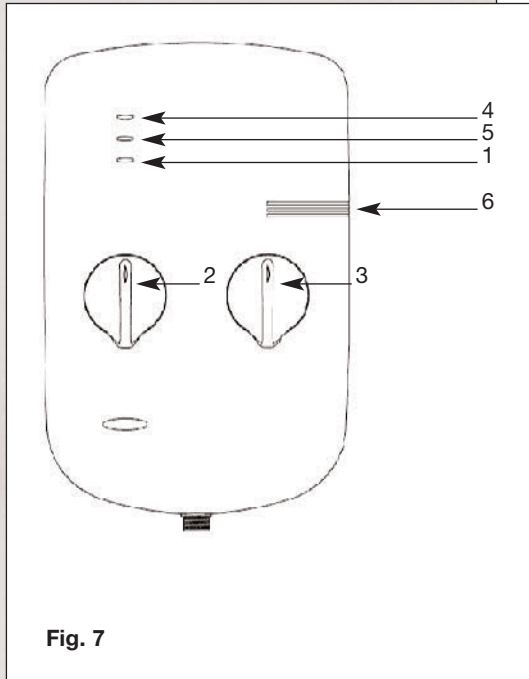


Fig. 7

- If the correct showering temperature cannot be obtained, it may be necessary to adjust the 'Power Selector' (2) or 'Temperature Control' (3) to an alternative setting.

- If the 'Reduce Temperature' light (4) becomes illuminated, it is indicating that the temperature setting is too high to allow sufficient water flow over the heating elements. Lowering the temperature setting slightly will allow the shower to function correctly. The unit may take a few seconds to reset.

**Note:** The speed of reset may be affected by the incoming water temperature and will be particularly noticeable during long spells of hot weather.

- If the 'Low Temperature' light (5) is illuminated, it is indicating that the incoming water pressure has fallen below the minimum requirement specified for the correct operation of the shower. The shower heating element will turn off automatically, to prevent discomfort for the user.

- When you have finished showering, rotate the 'Power Selector' (2) anti clockwise, to the 'Off' position.

**Important - Phased Shutdown:** After showering, water will continue to flow for a few seconds to allow excess heat, stored within the electrical elements, to be discharged. This will reduce the formation of limescale and prolong the life of your shower.

**The shower should be turned off at the isolating switch when not in use.**

**Note:** The shower incorporates a pressure relief device; in the unlikely event that the valve discharges water through the 'Pressure Relief Outlet Grill' (6), please contact the NewTeam Customer Service Department. Telephone: **01536 264 012**, for assistance.

## Understanding your Shower

- If the performance of your shower deteriorates and runs continually hot, ensure that the handset or hose has not become restricted.
- It is the speed of water passing through the heating elements that directly determines the showering temperature. The slower the water passes through, the hotter the shower will be. The faster the water flow, the cooler the shower.
- The cold mains water temperature entering your property will be much cooler in the Winter than in the Summer months. This will have an effect on the shower setting at different times of the year.
- It will be necessary to adjust the temperature or power control settings throughout the year to accommodate this change.
- This shower contains a stabilising valve that will minimise temperature changes at the shower head, due to pressure variations in the incoming cold water supply. If any fluctuation in temperature is experienced, the most likely cause will be that other appliances are being used within the house at the same time as the shower. If the incoming water pressure to the shower drops below the minimum requirement of 1 bar (running pressure) the shower will automatically turn off the power to the heating elements.

# Preparation for First Use

## The Riser Rail

The handset holder can be positioned on the riser rail, to your required height, by gripping the slider next to the rail and sliding it upwards or downwards until the desired position is achieved.

## Operating the Handset

Your NewTeam Electric Shower is supplied with a 'Zag Variable Spray' handset, this handset has 3 spray modes: Spray, Jet-spray and Combination.

To select your desired spray mode, turn the handset levers and twist in either direction (see Fig. 8).

## Cleaning the Rub-clean Handset

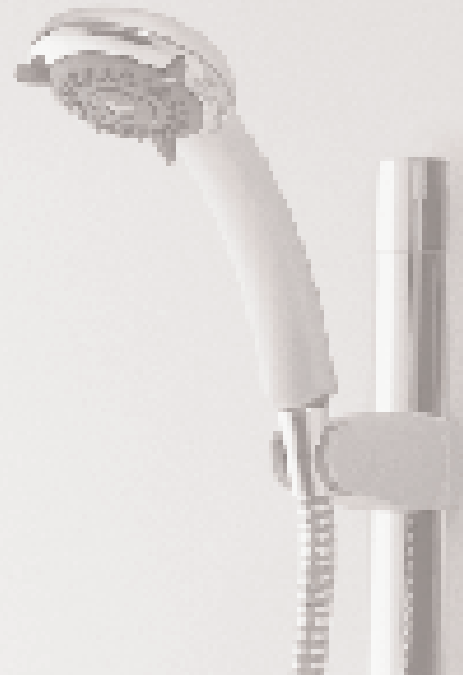
To remove the build-up of limescale from your handset, remove the handset from the handset holder and rub your fingers over the rubber spray jets (these can be seen in Fig. 8). When the shower is turned on, the built up limescale will flush out of the sprayplate.

## Troubleshooting

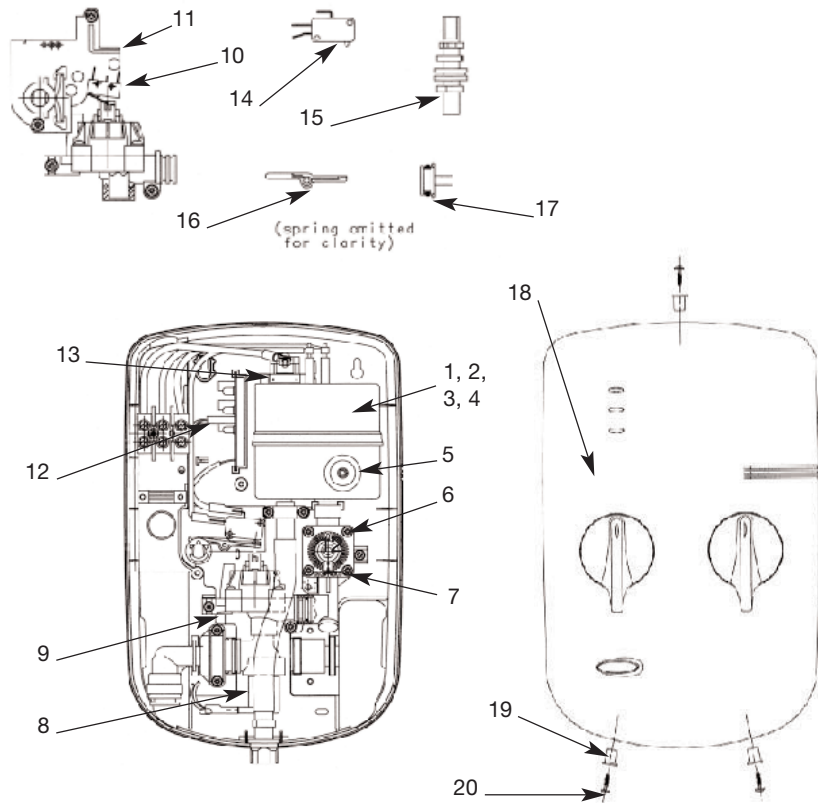
**Warning:** Before carrying out general repairs or testing the shower, ensure that the electricity supply is turned off at the mains and the correct circuit is removed.

Symptom	Likely Cause	Action/Remedy
Standby light not on.	Fuse blown. Power supply interrupted.	Examine electrical supply to shower.
No water flow.	Isolating valve. Power supply not on.	Turn on.
Low pressure light on.	Water pressure has fallen below the minimum requirement.	Check running pressure. Wait until pressure increases to 1.0 bar.
Water temperature too hot.	Insufficient water flowing through the shower.	Clean the handset. Increase the flow by adjusting the temperature control knob. Reduce the power setting.
Shower runs hot and cold during use.	Water pressure is at minimum requirement.	Check running pressure. Wait until pressure increases.
Reduce temperature light comes on.	Insufficient water flowing through the shower.	Reduce the temperature setting (increase flow rate). Reduce power setting.
Water from pressure relief outlet.	Pressure relief device operated.	Clean handset. Is shower hose connected or twisted? Replace if necessary.

**Do not attempt to repair the Pressure Relief Valve Device, once activated it must be replaced.**

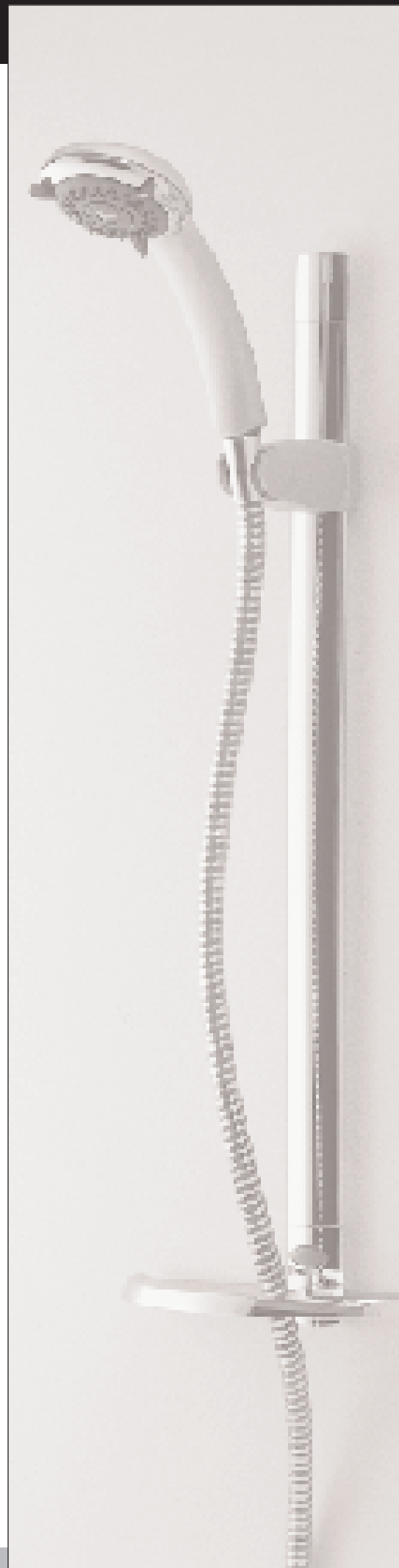


# Spare Parts Listing



No.	Part No.	Description	7.8	8.5	9.5	10.4
01	SP-092-0506	7.8kW Heating Canister	X			
02	SP-092-0501	8.5kW Heating Canister		X		
03	SP-092-0502	9.5kW Heating Canister			X	
04	SP-092-0504	10.4kW Heating Canister				X
05	SP-092-0425	PRD Cap & Shear Pad	X	X	X	X
06	SP-092-1042	Stabiliser Valve (High Flow)	X	X	X	X
07	SP-092-0423	Temperature Clicker	X	X	X	X
08	SP-092-0426	Solenoid	X	X	X	X
09	SP-092-0291	Pressure Switch Assembly	X	X	X	X
10	SP-092-1050	Low Pressure Microswitch with Lever	X	X	X	X
11	SP-092-1025	Camshaft Retention Plate	X	X	X	X
12	SP-092-0420	Phased Shutdown PCB	X	X	X	X
13	SP-092-1133	2 Stage Thermal Cut-out	X	X	X	X
14	SP-092-1077	Microswitch - 25 amp	X	X	X	X
15	SP-092-1027	Camshaft	X	X	X	X
16	SP-092-1085	Microswitch Operating Lever Assembly	X	X	X	X
17	SP-092-1060	Pressure Relief Device Assembly	X	X	X	X
18	SP-NT-Cover***	NewTeam Cover & Knob Assembly	X	X	X	X
19	SP-092-0429	Screw Brush	X	X	X	X
20	SP-092-0018	Cover Retaining Screw	X	X	X	X
	SP-5019	7.8 Base Assembly Complete	X			
	SP-5020**	8.5 Base Assembly Complete		X		
	SP-5021**	9.5 Base Assembly Complete			X	
	SP-5022**	10.4 Base Assembly Complete				X
	SP-285-0820**	1.50 x 8mm Shower Hose	X	X	X	X
	SP-168-0205**	Handset	X	X	X	X
	SP-320-0026	Hose Washer	X	X	X	X

\*Please state model of shower \*\*Please state colour





# Guarantee & Service Policy

## Your Guarantee

Thank you for purchasing a NewTeam shower, designed, manufactured and tested to the highest standards. This product has a 2 year guarantee; 1st year parts and labour, 2nd year parts only. This is provided that:

- The guarantee registration card is completed and returned, along with a copy of proof of purchase, within ten 10 days.
- The product is installed and operated in accordance with our instructions and has not been misused or damaged.

This in no way affects your statutory rights as a consumer.

The information on the guarantee card helps NewTeam to process any claims and contact you about your product and its maintenance if required. The registration of your personal details is purely for NewTeam use and the other information helps us to make products for the future.

NewTeam products are designed, manufactured and tested to the highest standards.

Should a complaint arise, products are guaranteed against faulty workmanship and materials for a period of 12 months from the date of purchase, when in domestic use.

For your guarantee to be valid, your NewTeam shower must be installed by a competent person, in accordance with the instruction manual.

NewTeam Ltd will repair or replace (at our option), free of charge, any faulty component during the guarantee period, provided it has been maintained and operated in accordance with our instructions and has not been misused or damaged.

Modification or repair of this product by persons not authorised by NewTeam Ltd will invalidate this guarantee.

This guarantee applies to products purchased within the United Kingdom or Republic of Ireland, but does not apply to products used commercially.

This guarantee does not affect your statutory rights.

## Service Policy

### Replacement Parts Policy

**Important:** In the event of product or component malfunction, DO NOT tamper with or remove the product from site. Telephone NewTeam Customer Service Department on 01536 264 012 and be prepared with the date of purchase, model number and a description of the complaint.

Our service staff are fully qualified to advise on correct installation procedures and will be able to diagnose whether the fault will require a replacement part or a visit from a NewTeam engineer.

If required, a service call will be booked, and either yourself or an appointed representative (who should be a person of 18 years or over) must be present during the visit.

All site visits to product within the guarantee period will be carried out free of any parts or labour charges provided the conditions of the guarantee have been adhered to (second year guarantee is parts only).

All site visits to product out of guarantee will be subject to charges for parts and labour which is payable by you or your appointed representative at the time of the visit. Charges will also be levied on cancelled appointments, unless advised to NewTeam at least 24 hours in advance of the agreed date and time.

We reserve the right not to undertake work where payment cannot be made to our engineer at the time of the visit.

NewTeam hold stocks of components for all their range of products and these will be maintained for the duration of their life.

Should a product be discontinued, spare parts stocks will be maintained, but in the event of a part becoming unavailable NewTeam reserve the right to supply a substitute of equal quality.

The following payment methods can be used to obtain spare parts:

- By post, pre-payment of proforma invoice by cheque or postal order.
- By telephone quoting credit card (Mastercard, Visa or Visa Delta) details.

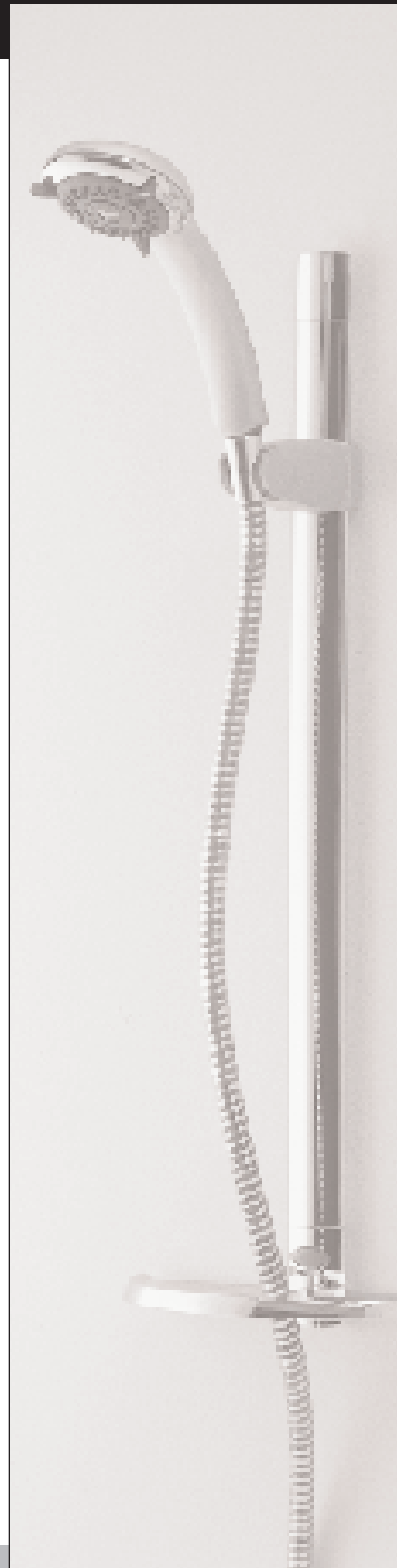
### Replacement Parts

**Tel:** 01536 409 222 **Fax:** 01536 409 201 **E-Mail:** spares@newteam.co.uk

### Customer Service Hotline

**Tel:** 01536 264 012 **Fax:** 01536 409 201 **E-Mail:** service@newteam.co.uk

Part No. 404-0136 Issue 02/03



# Guarantee Card

Please post immediately enclosing a copy of proof of purchase.

- NewTeam 7.8
  - NewTeam 8.5
  - NewTeam 9.5
  - NewTeam 10.4
- Proof of purchase enclosed: Yes  No

<b>For NewTeam Use</b>
<b>Affix Product Label Here</b>
This label identifies your product and provides all the information needed.

Name (Mr/Miss/Mrs): \_\_\_\_\_

Address: \_\_\_\_\_

\_\_\_\_\_

Postcode: \_\_\_\_\_

Date of Purchase: \_\_\_\_\_

Where Purchased: \_\_\_\_\_

Town: \_\_\_\_\_

NewTeam's philosophy is to offer outstanding products with quality and integrity, please help us by taking the time to answer the following questions. Thank you.

### Marketing Information

1. Please state your profession:  
Plumber  Builder  Electrician  Customer   
Other  (Please specify) \_\_\_\_\_
2. Please state reason for purchasing shower:  
New Build  Replacement  Renovation   
Other  (Please specify) \_\_\_\_\_
3. If the product is a replacement shower, please state the type and make of shower it is replacing:  
\_\_\_\_\_  
\_\_\_\_\_
4. What influenced you to purchase a NewTeam Electric Shower:  
Advertisement  Trade Press  Recommended by Stockist  Recommended by Installer   
Other  (Please specify) \_\_\_\_\_
5. Please state your main reason for purchasing the NewTeam Electric Shower:  
NewTeam Product Knowledge  Product Features  Product Styling  Price   
Other  (Please specify) \_\_\_\_\_

Please tick here if you do not require any further information or product updates from NewTeam

# Post Back

Fold and tape as instructed overleaf.



**plumbworld**  
**Big brands, small prices.**

Pdf Supplied By <http://www.plumbworld.co.uk/>