

# MIRA ORBIS

Part Number: 9.0kW White/Chrome: 1.1647.001  
Part Number: 9.8kW White/Chrome: 1.1647.002  
Part Number: 10.8kW White/Chrome: 1.1647.003  
Part Number: 9.8kW Black: 1.1647.007



## GREAT SPORT TECHNOLOGY WITH A MINIMALIST TWIST



SATIN/CHROME  
(9.8kW only)

### HIGH PERFORMANCE

Opti-flo™ delivers up to 50% more flow in summer

### TEMPERATURE CONTROL

Thermostatic temperature stability

### EASY TO FIT

Retrofits onto inlets of most Mira electric showers

### EASY TO SERVICE

Easy filter access

### FOR YOUR CUSTOMER

Separate controls for power and temperature

Sensi-flo™ safeguards against scalding

Clearscale™ & Dual Element™ – reduces limescale by up to 50%

Phased shutdown flushes hot water from the tank making it safe for the next user

4 spray 9 cm showerhead with rub clean nozzles

## TECH DETAILS

### TEMPERATURE CONTROL

Control type: Thermostatic (SMA)

### INSTALLATION

Power options: 9.0kW 240V AC (8.3kW 230V AC) • 9.8kW 240v AC (9.0kW 230V AC) • 10.8kW 240V AC (9.9kW 230V AC)

Supply voltage: 230v ± 10%

Supply rating: 40 amp (9.0kW); 45 amp (9.8 & 10.8kW)

Terminal Block connections: Maximum 16 mm<sup>2</sup>

Water entry points: Left (rising, falling & rear)

Cable entry points: Left (rising, falling & rear)

Inlet connections: Brass Inlet Connector. 15 mm compression fitting

Outlet connections: ½" BSP Male

### SUPPLY CONDITIONS

Minimum maintained pressure: 9.0 & 9.8kW: 0.7 bar (7 metre head); 10.8kW: 1.0 bar (10 metre head)

Maximum maintained pressure: 5.0 bar (50 metre head)

Maximum static pressure: 10.0 bar (100 metre head)

### PERFORMANCE

Temperature stability: ± 2°C

### SAFETY FEATURES:

Phased shutdown: Yes

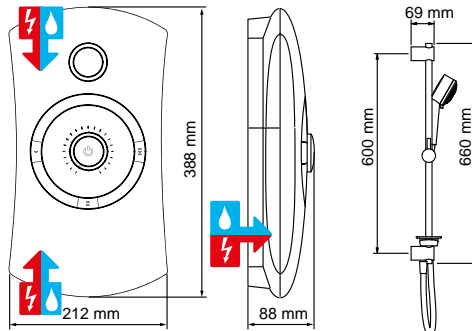
Factory set to safe max temp: Factory set at 48°C

Sensi-flo™: Yes

### ACCESSORIES

Wide range of accessories available at [www.mirashowers-store.co.uk](http://www.mirashowers-store.co.uk)

## TECH DRAWINGS



**plumbworld**  
**Big brands, small prices.**

Pdf Supplied By <http://www.plumbworld.co.uk/>