

## MEYNELL V4 SINGLE POINT THERMOSTATIC SHOWER MIXER

- Reliable thermostatic performance
- Independent flow and temperature controls for ease of use
- Suitable for high pressure applications
- Attractive, contemporary design
- Supplied with ½" BSP offset inlet connectors

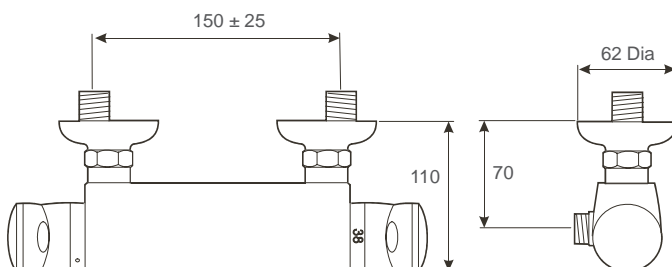


**Specify as: Meynell V4 Thermostatic Shower Mixer (1.1577.002)**  
½" exposed, dual control, thermostatic shower valve. Shower fittings available separately.

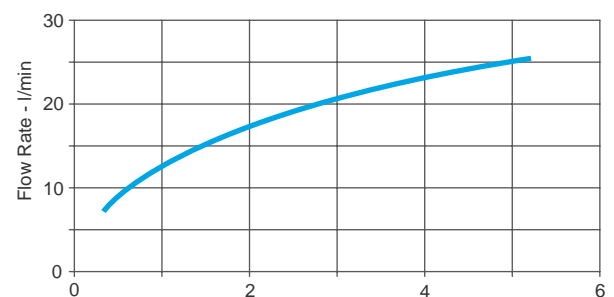
**Specify as: Mira Select UV Fittings Chrome (1.1541.008)**  
Mira React adjustable spray handset with three different spray actions, hose, clamp bracket, soap dish, slide bar, hose retaining ring and additional low capacity spray plate.

**Specify as: Mira Verve UV Fittings Chrome (1.1540.218)**  
Mira Response adjustable spray handset with three different spray actions, hose, clamp bracket, soap dish, slide bar, hose retaining ring and additional low capacity spray plate.

### Dimensions (mm)



### Flow Diagram



**Kohler Mira Limited**  
Cromwell Road  
Cheltenham  
Gloucestershire  
GL52 5EP

**Specification Enquiries**  
Tel: 01242 282527  
Fax: 01242 282404  
Email: rada\_technical@mirashowers.com  
www.radacontrols.com



# INDIVIDUAL SHOWERING

## TECHNICAL SPECIFICATION

### Installation and Maintenance

Please refer to the appropriate Product Manual.

### Connections

Inlet: Offset connectors (1/2" BSP male connection, 3/4" BSP male connection to shower).

Outlet: 1/2" BSP male connection.

### Approvals

Designed to comply with European Standards EN1111 and EN1287. WRAS approved (Water Regulations Advisory Scheme). Designed, manufactured and supported in accordance with accredited BS EN ISO 9001:2000 Quality Management Systems and BS EN ISO 14001:2004 Environmental Management Systems

### Operation

The Meynell V4 thermostatic shower mixer provides accurate temperature control and easy flow rate adjustment. The Meynell V4 is precision engineered to consistently deliver water at a safe temperature. The product responds to changes in the pressure or temperature of the incoming water in order to maintain the selected output temperature.

### Materials

Body: Chrome plated brass.

Control knobs and trims: Chrome plated engineering plastic.

### Temperature Range

Minimum temperature differential between hot supply and outlet temperature: 10 °C.

Optimum temperature control range of mixer: 35 °C - 45 °C.

Minimum hot water supply temperature: 55 °C.

Maximum hot water supply temperature: 80 °C

The performance specification outline below is achieved with the blend set between 35°C and 45°C, with supply temperatures of 15°C cold and 65°C hot and nominally equal inlet supply pressures.

Outlet blend temperature is maintained within 2°C with a 10°C change in the hot or cold supply.

Thermostatic shut down to seepage in approximately five seconds if the cold supply fails. Shut down to seepage is only achieved if the hot supply is 10°C above the blend temperature.

### Pressures

Maintained supply pressures should be nominally equal.

Maximum pressure loss ratio: 5:1.

Minimum maintained pressure: 0.5 bar.

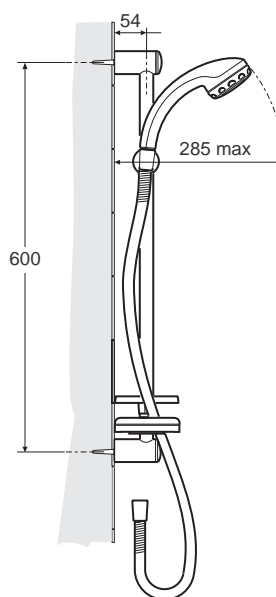
Maximum maintained pressure: 5.0 bar.

Maximum static pressure: 10 bar.

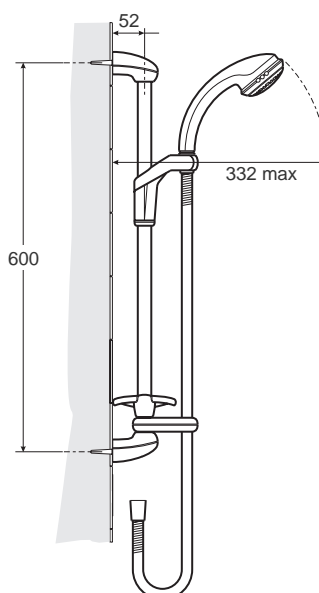
### Weight

Product	Gross Weight (Kgs)	Total Packaged Weight (Kgs)
Meynell V4	2.500	2.970

### Dimensions (mm)



Meynell V4 with Mira Select UV Fittings - chrome



Meynell V4 with Mira Verve UV Fittings - chrome



**Kohler Mira Limited**  
Cromwell Road, Cheltenham  
Gloucestershire, GL52 5EP

### Specification Enquiries

Tel: 01242 282527, Fax: 01242 282404  
Email: rada\_technical@mirashowers.com  
www.radacontrols.com

Rada is a registered trademark of Kohler Mira Limited.

The company reserves the right to alter product specification without notice.  
© July 2006 Kohler Mira Limited. All rights reserved.

No part of this document, or any accompanying document, may be reproduced or transmitted in any form or by any means, including photocopying or electronically, without the permission of Kohler Mira Limited.

A **KOHLER** COMPANY



FM 14648



**plumbworld**  
**Big brands, small prices.**

Pdf Supplied By <http://www.plumbworld.co.uk/>