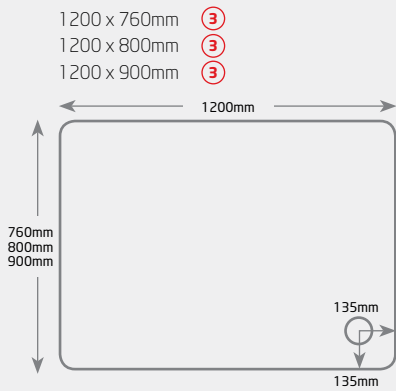
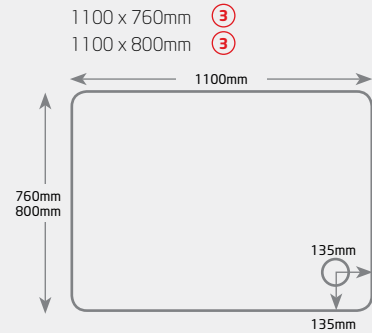
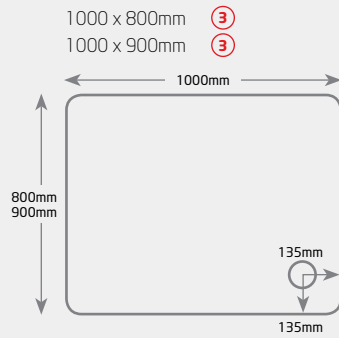
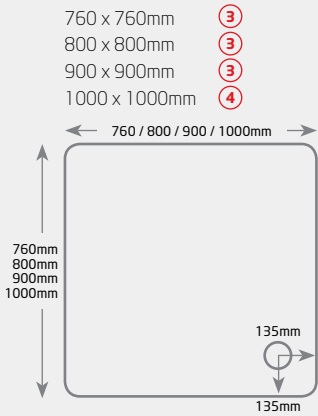
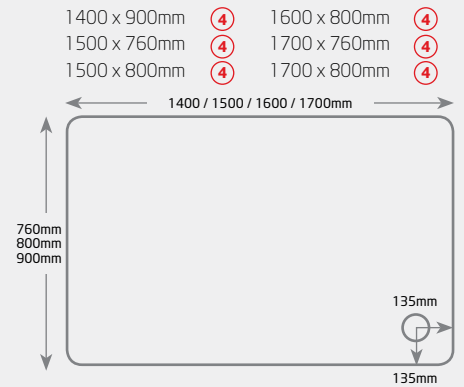
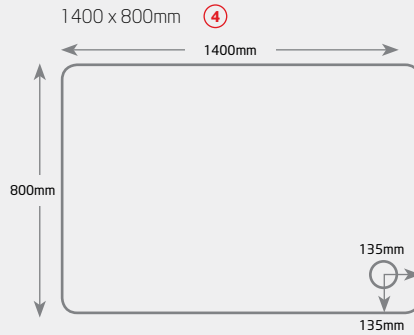


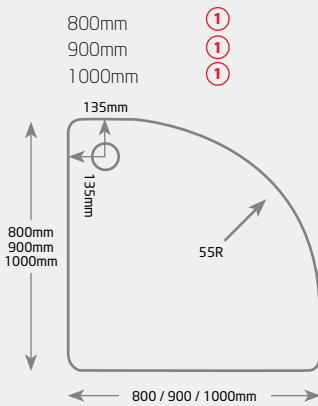
# JT40® FUSION



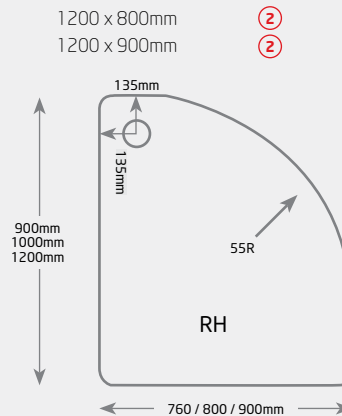
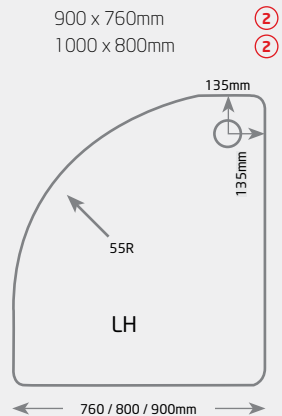
NEW FOR 2010



## QUADRANT



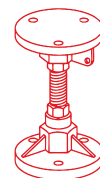
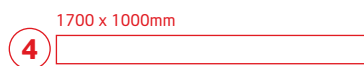
## OFF SET QUADRANT



We recommend these trays are installed with a JT40 90mm waste  
 Shoulder width on all trays is 52mm

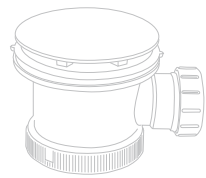
All sizes are approx

## JTMERLIN® RISER KITS ARE AVAILABLE FOR ALL TRAYS



INCLUDES ALL LEGS AND FIXINGS

## JT40® WASTE 90MM



See page 23 for full specification

**plumbworld**  
**Big brands, small prices.**

Pdf Supplied By <http://www.plumbworld.co.uk/>