

# Drayton Motorised Valves



The new Drayton 2 port, diverter and mid-position valves are available in 22mm, 28mm and  $\frac{3}{4}$ " sizes. All models feature new "snap-on" actuators and have industry-standard wiring and dimensions.



# Drayton

## Motorised valves

### FEATURES

- New “snap-on” actuators can be removed at the push of a button
- Positive fuel saving control
- 2 Port, diverter and mid-position available in 22mm, 28mm and 3/4" sizes
- 100% tight shut off
- Manual lever and valve position indicator
- Spring return
- Replaceable actuators
- Replaceable motors
- Simple industry-standard wiring
- Easily replaces most makes

### TECHNICAL DATA

**Standard motor voltage:**  
230v 50HZ 6.5 watts

#### Valve operation:

**2 Port:** standard valves – energise to open

**Diverter:** energise to open port A

**Mid-position:** heating, hot water or a combination of both

#### Operating time:

**2 Port:** motor 14 secs., spring return 6 secs.

**Diverter:** motor 12 secs., spring return 6 secs.

**Max. static pressure:** 6.75 bar

**Max. differential pressure:** See opposite

**Water temperature:** 93°C max., 2°C min

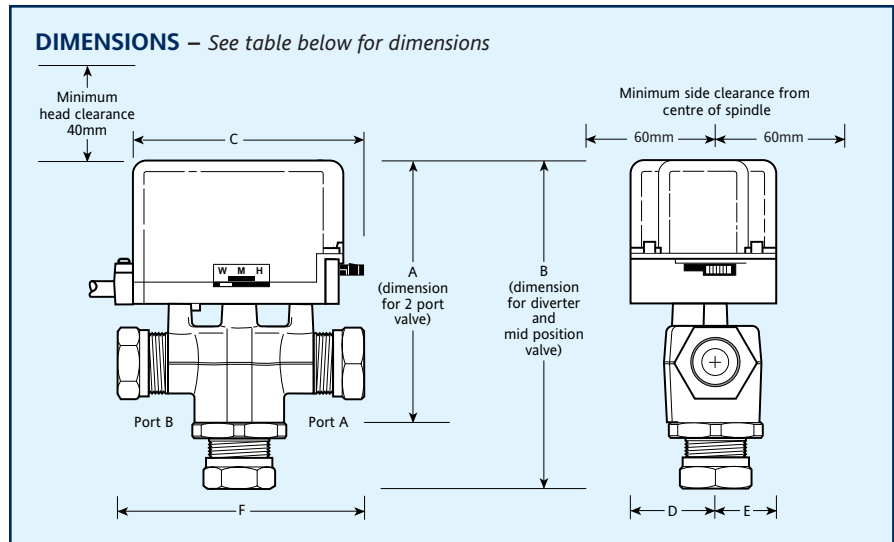
**Max. ambient temperature:** 52°C

**Valve body:** Brass forging

**Connections:** 22mm compression;  
28mm compression; 3/4" male or female

**Lead length:** 1 Metre

**Switch ratings:** 24v – 230v AC 3(1)A



### DIMENSIONS (see drawing above)

Size	Model	A	B	C	D	E	F
22mm	2 Port zone valve – 5 wire SPST switch	120	–	105	43	27	110
22mm	Mid-position valve	–	145	105	43	27	110
22mm	3 Port diverter valve – no switch	–	145	105	43	27	110
22mm	3 Port diverter valve – 5 wire SPST switch	–	145	105	43	27	110
22mm	3 Port diverter – VM5 Homewarm	–	145	105	43	27	110
28mm	2 Port zone valve – 6 wire SPDT switch	117	–	105	43	27	124
28mm	Mid position valve	–	150	105	43	27	124
28mm	3 Port diverter valve – no switch	–	150	105	43	27	124

### ORDERING INFORMATION

Size	Complete valve and actuator	Model ref.	Part no.	Fittings	Kv	MaxΔP
22mm	2 Port zone valve – 5 wire SPST switch	ZA5/679-2	27100	Ext	4.8	1 bar
22mm	Mid-position valve	MA1/679-3	27101	Ext	4.8	0.7 bar
22mm	3 Port diverter valve – no switch	ZA3/679-3	27102	Ext	4.8	1.7 bar
22mm	3 Port diverter valve – 5 wire SPST switch	ZA5/679-3	27111	Ext	4.8	1.7 bar
22mm	3 Port diverter – VM5 Homewarm	ZA3/679-3-11	27112	Ext	4.8	1.7 bar
28mm	2 Port zone valve – 6 wire SPDT switch	ZA6/779-2	27205	Int	6.7	0.5 bar
28mm	Mid-position valve	MA1/779-3	27206	Int	6.7	0.7 bar
28mm	3 Port diverter valve – no switch	ZA3/779-3	27207	Int	6.7	1.5 bar
Size	Spare valve bodies	Model ref.	Part no.	Fittings	Kv	MaxΔP
22mm	2 Port body	679-2	27600	Ext	4.8	1 bar
22mm	3 Port body	679-3	27602	Ext	4.8	1.7 bar
28mm	2 Port body	779-2	27601	Int	6.7	0.5 bar
28mm	3 Port body	779-3	27603	Int	6.7	1.5 bar
1"	3 Port body	773-3	27606	F.I.	6.7	1.5 bar
1"	2 Port body	773-2-5	27611	F.I.	4.8	1 bar
1"	2 Port body	773-2	27612	F.I.	6.7	0.5 bar
3/4"	3 Port male iron body	662-3	27621	M.I.	4.8	1.7 bar
3/4"	2 Port male iron body	662-2	27622	M.I.	4.8	1 bar
3/4"	3 Port body	572-3	27623	F.I.	4.8	1.7 bar
3/4"	2 Port body	572-2	27624	F.I.	4.8	1 bar
Size	Spare actuators	Model ref.	Part no.	Voltage	Switch type	
3 Wire	Zone valve actuator	ZA3	27652	230v	No switch	
5 Wire	Zone valve actuator	ZA5	27650	230v	SPST	
6 Wire	Zone valve actuator	ZA6	27653	230v	SPDT	
3 Wire	Zone valve actuator	ZA3A	27654	24v	No switch	
5 Wire	Zone valve actuator	ZA5A	27656	24v	SPST	
6 Wire	Zone valve actuator	ZA6A	27657	24v	SPDT	
	Mid-position actuator	MA1	27651	230v	See instructions	



### Climate Control Systems Europe

94 Farnham Road, Slough,  
Berkshire. SL1 4UH

Telephone: +44 (0) 845 130 5522

Facsimile: +44 (0) 845 130 0622

Technical Helpline: +44 (0) 845 130 7722

Website: [www.climate-eu.invensys.com](http://www.climate-eu.invensys.com)

Email: [customerservices@invensys.com](mailto:customerservices@invensys.com)

AVAILABLE FROM:



**plumbworld**  
**Big brands, small prices.**

Pdf Supplied By <http://www.plumbworld.co.uk/>