

## SPACE 1200 BATH



Ideal Standard Limited  
The Bathroom Works  
National Avenue  
Kingston upon Hull  
HU5 4HS  
England  
Telephone: (01482) 346461  
Telefax: (01482) 445886.

**CUSTOMER CARE HELPLINE**  
**0870 1296085**  
**FAX LINE 01482 499611**  
**e mail : [ukcustcare@IdealStandard.com](mailto:ukcustcare@IdealStandard.com)**

Ideal Standard pursues a policy of continuing improvement in design and performance of its products. The right is, therefore, reserved to vary specifications without notice.

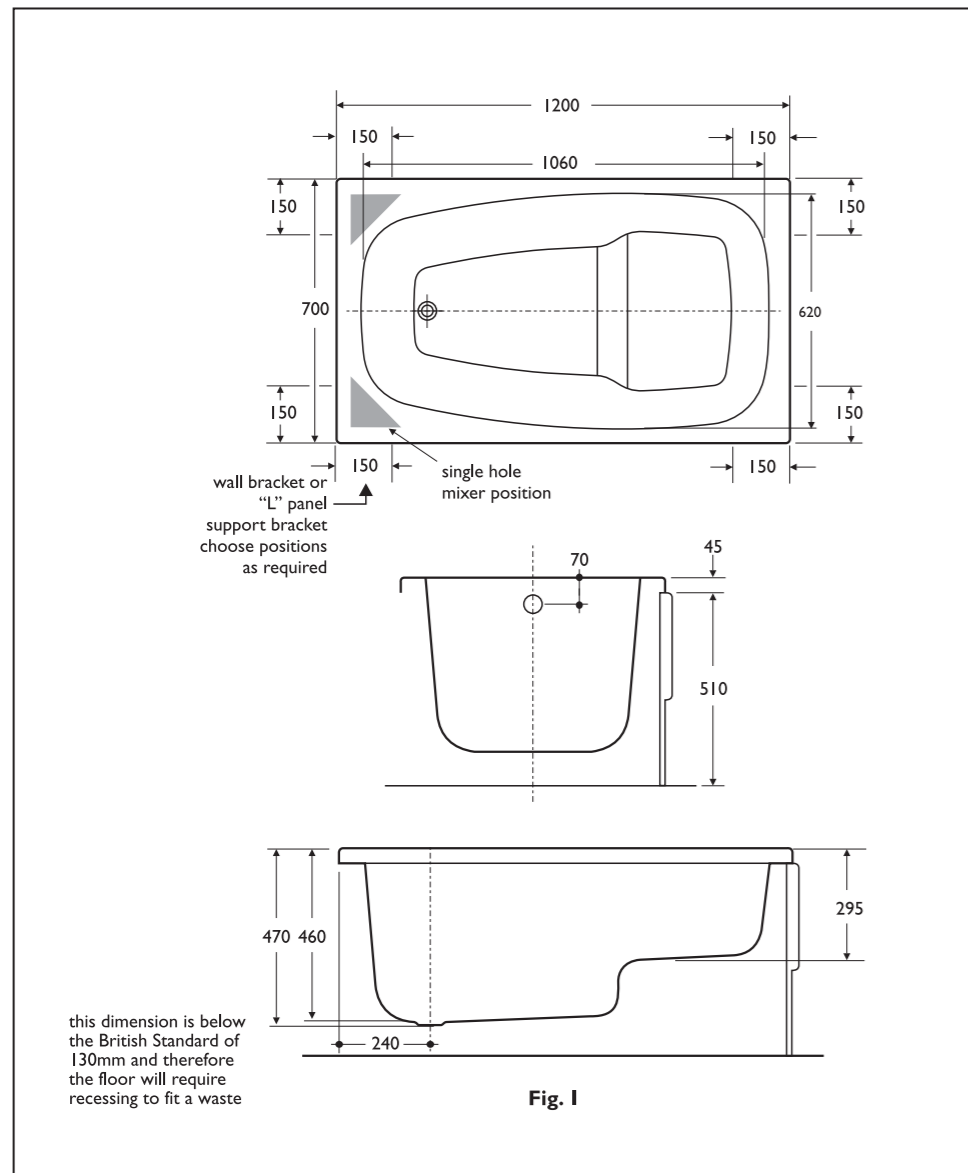
Ideal Standard (UK) Ltd.

4092 03/08

## Installation Instruction



## TECHNICAL INFORMATION



### BATH CONDITION

Before commencing installation, carefully remove packaging and protective film, check for damage. If damaged, report immediately to supplier. The bath should be fully protected during the installation process.

## INSTALLATION

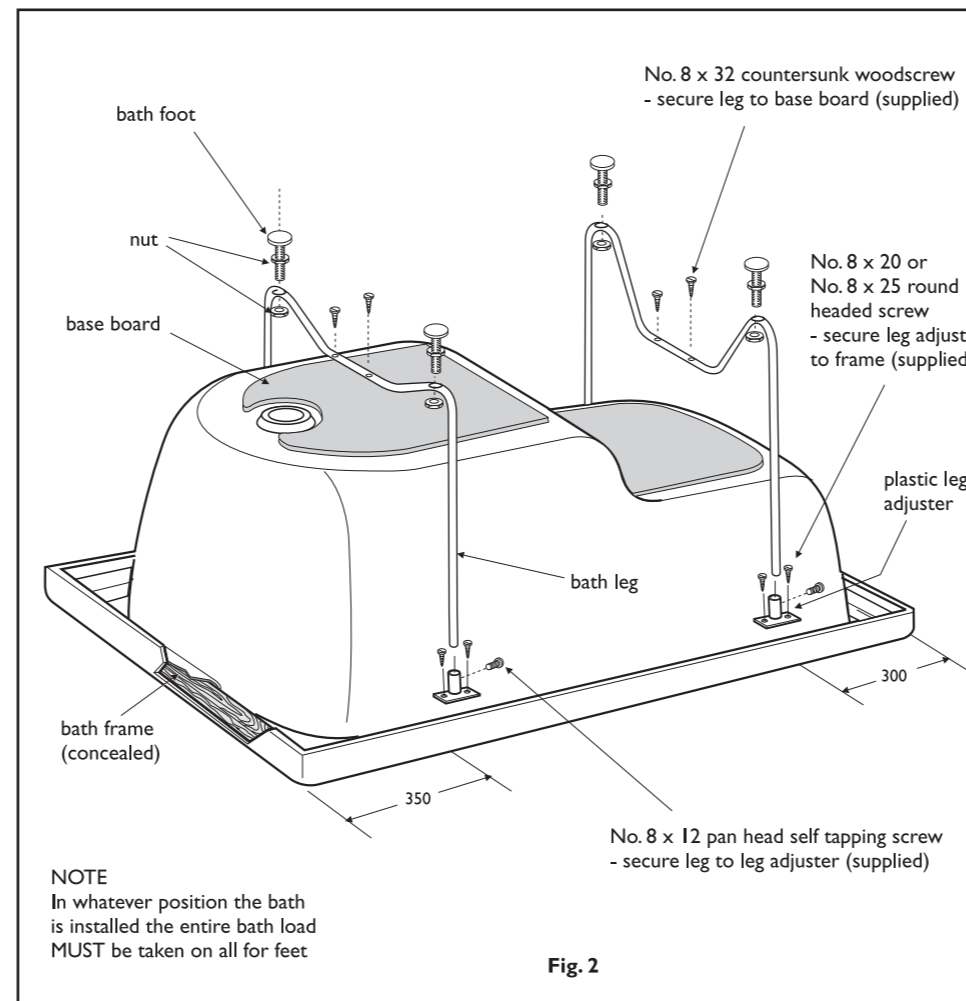
**1. Locate leg adjusters** on bath frame and mark positions for the fixing screws. Pilot drill the holes in the bath frame and fix leg adjusters to frame. Ensure when fitting the leg adjuster to leave room for panel if fitting.

**2. Locate bath legs** in leg adjusters and mark positions for the fixing screws on the base board. Pilot drill the holes in the base

board, to a depth of 6mm maximum. Position legs in leg adjusters and on base board and secure. Locate No. 8 x 12 long pan head self tapping screw into leg adjuster and tighten.

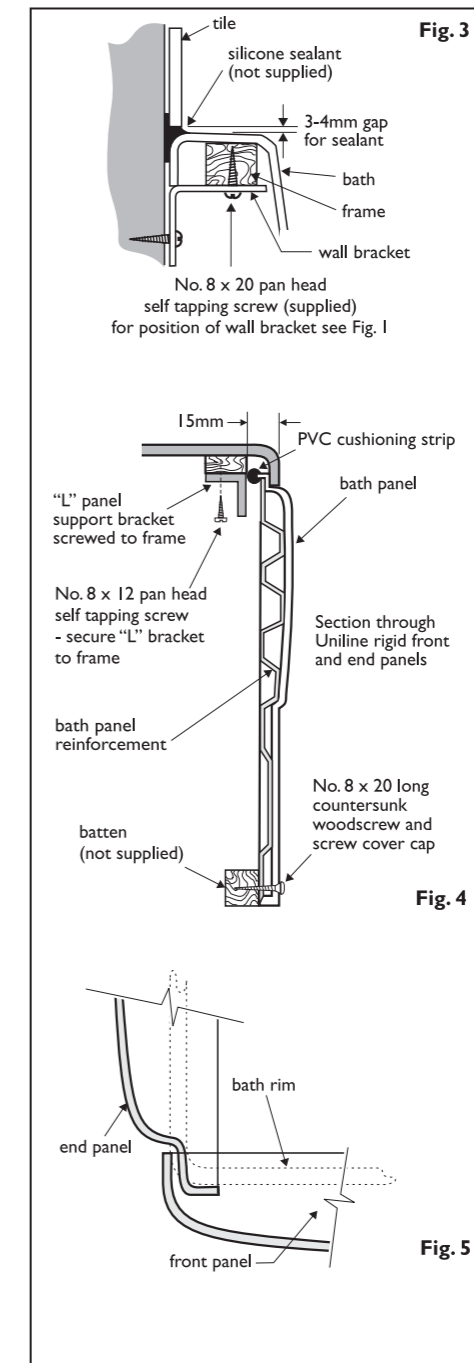
### DO NOT OVER TIGHTEN

**3. Fix the feet** and adjust to give approximate floor to top of rim height required.



### NOTE

In whatever position the bath is installed the entire bath load MUST be taken on all four feet



### 4. Fit supply and waste fittings.

The Space 120cm bath can only be fitted with a single hole mixer at one of the two corners as illustrated in Fig. 1. Full details and a template for cutting the hole is supplied with Ideal-Standard monoblock fittings. In order to fit the waste, the floor will require recessing, see Fig. 1.

**5. Fix the two wall fixing brackets** to bath frame as indicated in Fig. 3. Pilot drill holes in frame before fixing brackets. Position wall bracket so they are accessible when the bath is installed.

**6. Fix bath to wall** (Fig. 3).

**7. Fit bath to floor** and ensure that all nuts are tight.

**8. Connect services**, and test for satisfactory operation of fittings and ensure there are no leaks.

**9. Tile down to the height of the bath rim** leaving a 3 - 4mm gap for silicone sealant. An extruded sealing strip can be used for the bath to wall joint as an alternative to silicone sealant. Protect bath during tiling.

**10. Fit panel(s).** Position "L" panel support brackets on the sides of the bath where the panels are to be fitted in the position indicated. Panels can be reduced in height by cutting a strip from the bottom edge if semi-sunken installation is required. Timber floor battens are not supplied but are necessary to secure the panels. Screw the battens to the floor.

Attach the lengths of PVC cushioning strip to the top edge(s) of the panel(s). Fit panel(s) (end panel first where appropriate) by pushing the top edge under the bath rim. For the corner joint, where front and end panels are being used, see Figs 4 & 5.