



General Specifications

GLASS: 3mm thick, toughened to BS 6206 Class A
EXTRUSIONS: to BS 1474
POWDER COATING: to BS 6496

Contents

| | |
|------------------------------------------|---|
| PIVOT CUBICLE | 2 |
| Pivot Cubicle Fitting Instructions | 3 |
| Pivot Cubicle Specifications | 5 |
| PIVOT DOOR | 6 |
| Pivot Door Fitting Instructions | 7 |
| Pivot Door Specifications | 9 |

Plumbworld Ltd believe that the specification details contained within this document are accurate at the time of publication. We reserve the right to alter specifications and information without prior notice. However by using this document and information contained therein the user assumes responsibility for the accuracy and suitability for the purpose for which it is intended. Plumbworld Ltd cannot accept responsibility for any occurrence however caused by the use of information contained within this document.

PIVOT CUBICLE SHOWER ENCLOSURE



STEP-BY-STEP ILLUSTRATED ASSEMBLY INSTRUCTIONS

The manufacturer's policy is one of continuous development and improvement and accordingly we reserve the right to change specifications without prior notice.

The utmost care has been taken in the manufacture of the Shower Enclosure to ensure that it gives complete satisfaction. To the best of our knowledge this product was in perfect condition when it left the factory but customers should note that claims for damage to glass, finish or shortages must be submitted to the vendor before installation.

The manufacturer reserves the right to disallow claims once the assembly has been installed.

Please ensure that these instructions and the instructions supplied with the door are read thoroughly prior to installation.

The manufacturer cannot be held responsible for any problems arising from an incorrectly installed product.

Prior to installation:

Carefully unwrap the product; ensuring it is placed on a clean surface to reduce the risk of scratching the finish.

Inspect the product for transit damage, all such damage must be reported within 3 days of receipt to the supplier.

Important.

Take care to avoid hidden water pipes and electrical cables when drilling into the wall.

Seek expert advice on the type of wall fixings applicable to your wall construction and the type of sealant to use in your application.

Installation.

The following text is to be read in conjunction with the pictorial diagrams.

- 1** Tools required.
- 2** Check contents and familiarise yourself with the items supplied.
- 3** Ensure that a suitable shower base has been installed as per the manufacturers instructions, that it is level and the joint between the tiles and the tray is sealed with a continuous bead of suitable silicone sealant.
Ensure that the walls are tiled and are vertical to the base.
Check the minimum and maximum adjustments of this product correspond to dimensions of the tiled opening.
- 4** Select left or right handing opening of the door (B) by rotating it through 180 degrees.
Note: If fitting a pivot door it is advisable to ensure that the pivot point of the door is next to the wall. This door has been designed to open outwards only.
- 5** Push the door (B) and the side panel (D) firmly together to form the enclosure. Push the wall posts (A) fully home onto the door and the side panel.
- 6** Lift the enclosure onto the tray.
To prevent marking the tray when moving the enclosure about its surface, tape a layer of paper on top of the shower base.
Ensure that the enclosure is vertical and set back ideally 10mm from the outside edge of the tray.
If necessary, the width of the enclosure can be increased by moving the wall posts outwards from the side panel and door, ensuring that there is enough overlap for the fixing screws to secure the assembly together.
Hold in place and draw a pencil line down the side of each wall post.
Remove the assembled enclosure and separate the wall posts from it.
- 7** Place each wall post against the pencil lines and mark through the pre-punched holes.

Drill at the pre-marked positions and insert wall fixings applicable to your wall type construction (not supplied).
Remove the protective paper (If used) from the shower tray.
- 8** Secure the wall posts to the wall using screws applicable for your wall fixings (not supplied).
It is recommended that a small bead of silicone sealant is applied behind the head of each screw before tightening to prevent water ingress.

- 9** Reposition the formed enclosure onto the shower tray ensuring it is central between the wall posts.
Remove the transit blocks from between the door and the frame and discard.
To secure the side panel (D) and door (B) to the wall posts, drill three 2.8mm holes through the vee groove in each wall post, one 15mm from the top, one 15mm from the bottom and one centrally between the two.
Fasten with the No.6 x 3/8in. screws (E), screw cover bases (G) and screw cover caps (F) provided.
Push the side panel and pivot door firmly together and secure the side panel to the door by drilling three 2.8mm holes through the vee groove in the corner post, one 15mm from the top, one 15mm from the bottom and one centrally between the two.
Fasten with the No.6 x 3/8in. screws (E), screw cover bases (G) and screw cover caps (F).
- 10** Check that the door fits evenly in its frame. Some final adjustment can be made by slackening and moving the top and bottom hinges.
- 11** The power seal (C) fits on the bottom of the inside of the door between the raised handle and the raised seal, with the cut out fitting round the bottom of the handle. It will require cutting to length. On the inside face of the door, measure the distance between the raised handle and the raised seal. Measure this distance from one end of the power seal (C) and cut. Fit the power seal to the bottom of the door by simply clipping in place with the door closed.
- 12** Seal using a suitable silicone sealant to all internal and external vertical joints and the **external horizontal only**.
Caution:
DO NOT seal the internal horizontal, to allow correct drainage back into the tray.
Allow 24 hours for silicone to fully cure before use.

Care and attention.

Clean your enclosure with mild detergent and water promptly after use. This will prevent the build up of limescale.

NEVER use an abrasive or aggressive cleaner.

A proprietary glass cleaner can be used if necessary.

TROUBLE SHOOTING

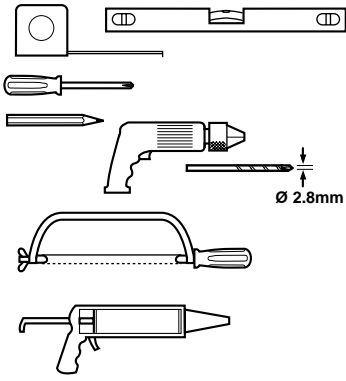
Door does not close square.

Ensure that the tray is level and 90° to the walls.
Check that the enclosure is vertical.

CONTENTS

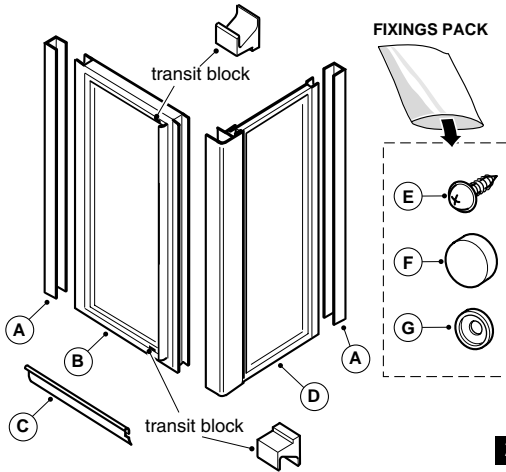
| REF | DESCRIPTION | QTY |
|-----|---------------------------------------|-----|
| | Door Pack | |
| A | WALL POST | 2 |
| B | PIVOT DOOR | 1 |
| C | POWER SEAL | 1 |
| | Side Panel Pack | |
| D | SIDE PANEL | 1 |
| | Fixings Pack | |
| E | SELF TAPPING SCREW, No 6 x 3/8in long | 9 |
| F | SCREW COVER CAP | 9 |
| G | SCREW COVER BASE | 9 |

TOOLS REQUIRED

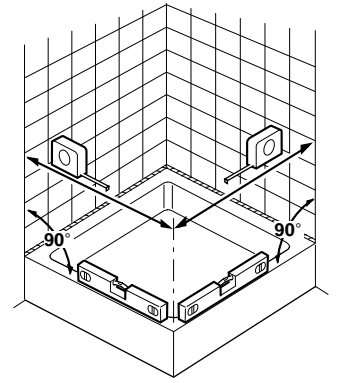


1

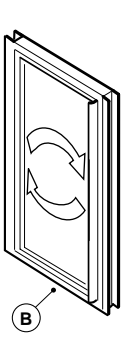
PIVOT CUBICLE ENCLOSURE



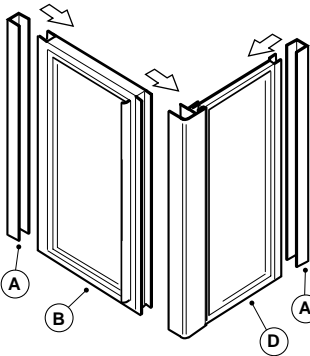
2



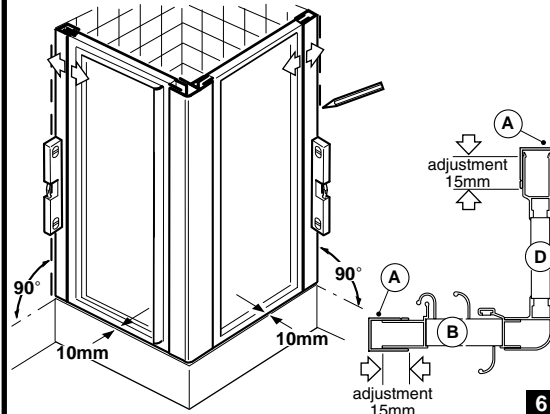
3



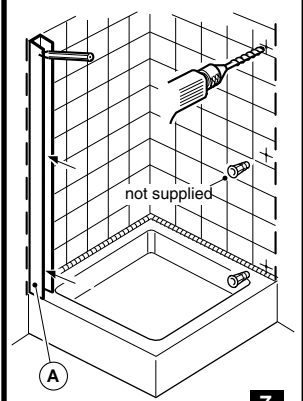
4



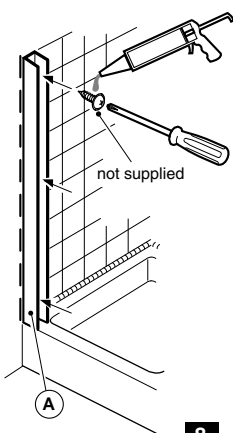
5



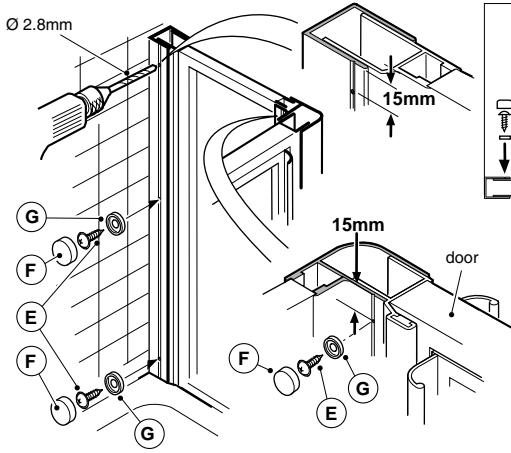
6



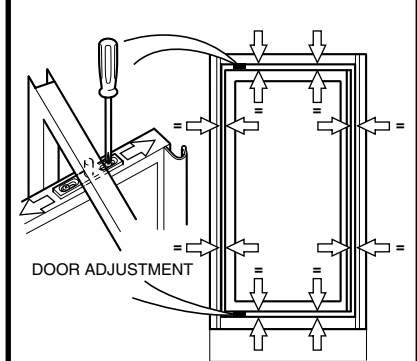
7



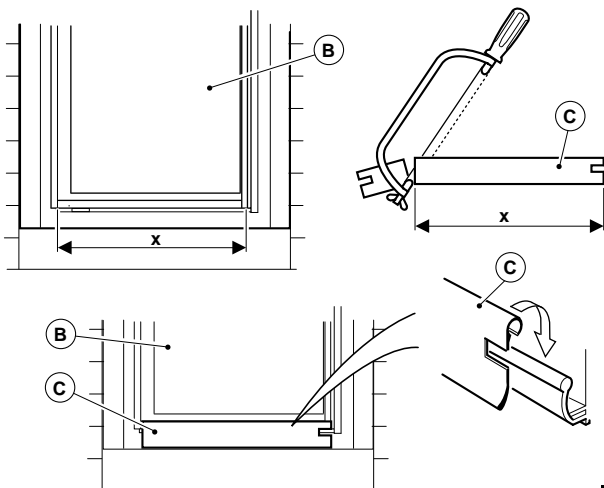
8



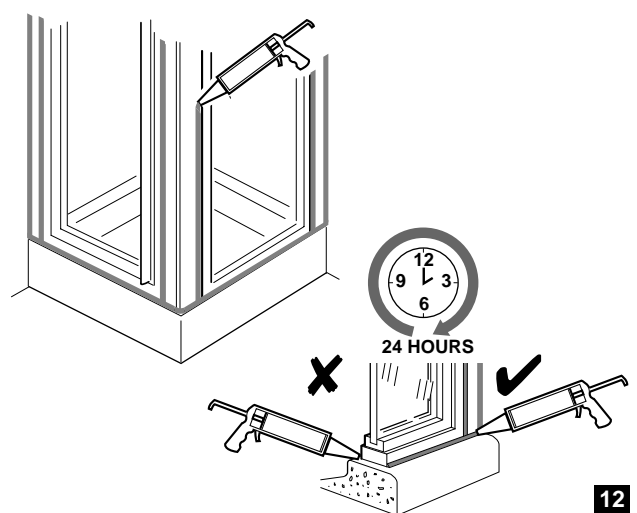
9



10



11



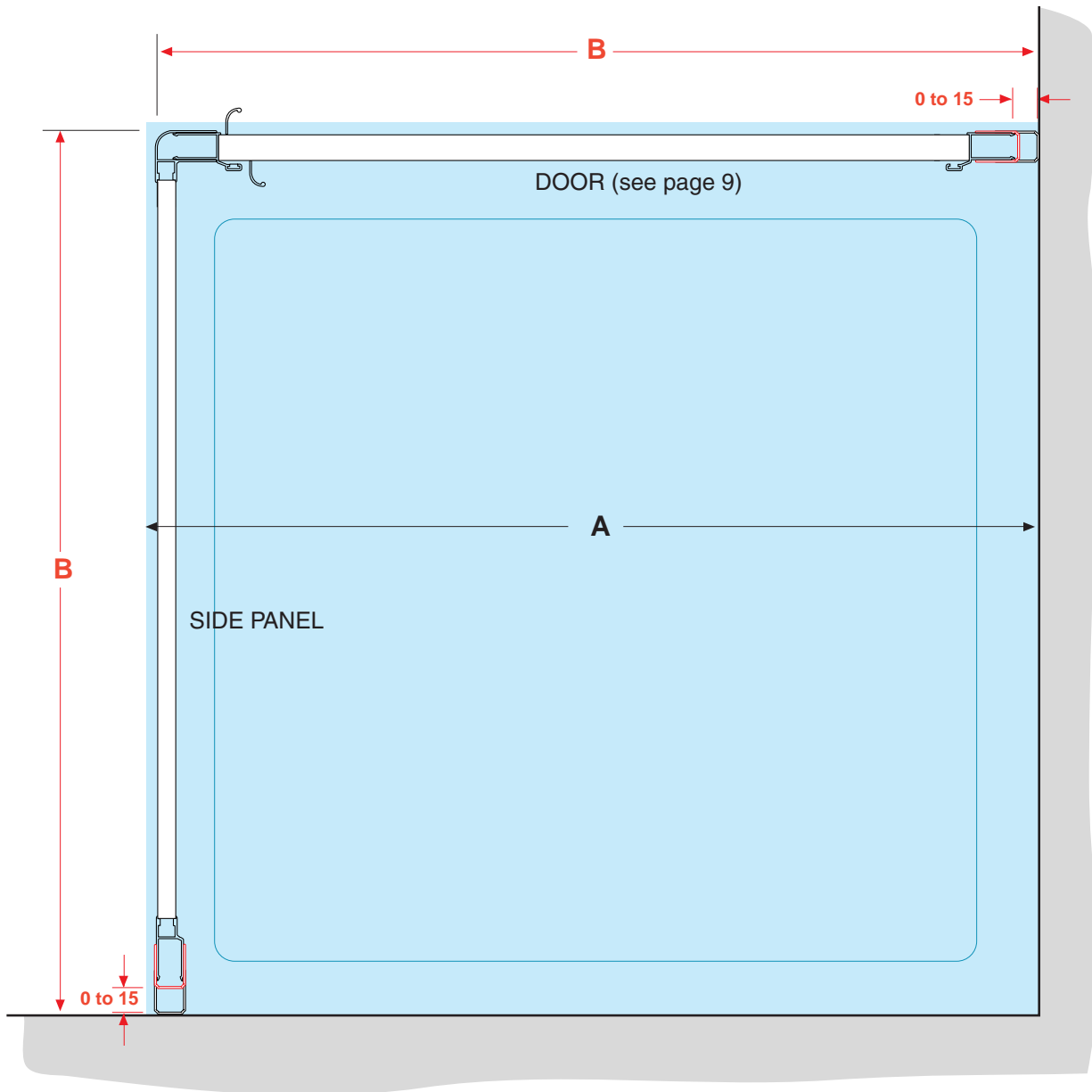
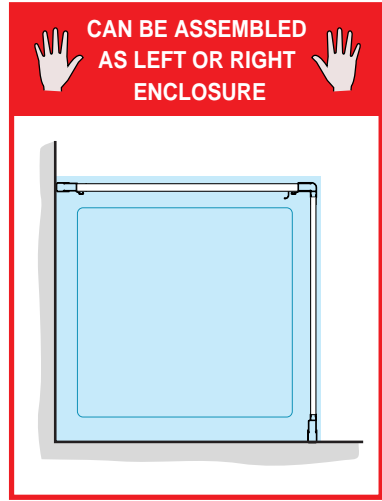
12

FOR USE WITH 760, 800 or 900 PIVOT DOOR
See page 9 for door opening dimensions

STANDARD CUBICLE APPLICATIONS

| A | B | REQUIREMENTS |
|-----------|------------|------------------|
| TRAY SIZE | ADJUSTMENT | |
| 760 | 743 - 758 | 760 CUBICLE PACK |
| 800 | 788 - 803 | 800 CUBICLE PACK |
| 900 | 888 - 903 | 900 CUBICLE PACK |

All nominal dimensions in millimetres



PIVOT DOOR



STEP-BY-STEP ILLUSTRATED ASSEMBLY INSTRUCTIONS

The manufacturer's policy is one of continuous development and improvement and accordingly we reserve the right to change specifications without prior notice.

The utmost care has been taken in the manufacture of the Shower Enclosure to ensure that it gives complete satisfaction. To the best of our knowledge this product was in perfect condition when it left the factory but customers should note that claims for damage to glass, finish or shortages must be submitted to the vendor before installation.

The manufacturer reserves the right to disallow claims once the assembly has been installed.

Please ensure that these instructions are read thoroughly prior to installation.

The manufacturer cannot be held responsible for any problems arising from an incorrectly installed product.

Prior to installation:

Carefully unwrap the product; ensuring it is placed on a clean surface to reduce the risk of scratching the finish.

Inspect the product for transit damage, all such damage must be reported within 3 days of receipt to the supplier.

Important.

Take care to avoid hidden water pipes and electrical cables when drilling into the wall.

Seek expert advice on

the type of wall fixings applicable to your wall construction and the type of sealant to use in your application.

Installation.

The following text is to be read in conjunction with the pictorial diagrams.

- 1** Tools required.
- 2** Check contents and familiarise yourself with the items supplied.
- 3** Ensure that a suitable shower base has been installed as per the manufacturers instructions, that it is level and the joint between the tiles and the tray is sealed with a continuous bead of suitable silicone sealant.
Ensure that the walls are tiled and are vertical to the base.
Check the minimum and maximum adjustments of this product correspond to dimensions of the tiled opening.
- 4** Select left or right handing opening of the door (B) by rotating it through 180 degrees.
Note: This door has been designed to open outwards only.
- 5** Push wall posts (A) fully home onto the door, ensuring that the pre-drilled flange is facing inside the enclosure.
- 6** Lift the enclosure onto the tray.
To prevent marking the tray when moving the enclosure about its surface, tape a layer of paper on top of the shower base.
Ensure that the enclosure is vertical and set back ideally 10mm from the outside edge of the tray.
If necessary, the width of the enclosure can be increased by moving the wall posts outwards from the door assembly, ensuring that there is enough overlap for the fixing screws to secure the wall posts and the door assembly together.
Hold in place and draw a pencil line down the side of each wall post and mark through the pre-punched holes.
Remove the enclosure with wall posts attached (and extension posts if fitted) from the tray.
- 7** Drill, at the pre-marked positions and insert wall fixings applicable to your wall type construction (not supplied).
- 8** Reposition formed enclosure with the wall posts onto the shower tray, using the drawn pencil lines as a guide.
Remove the protective paper, if used, from the tray.
Remove the transit blocks from between the door and frame and discard.
Secure the wall posts (A) to the wall using screws applicable for your wall fixings (not supplied), with the screw cover bases (F) and screw cover caps (E) supplied.
- 9** Check the position of the outer door frame, ensuring it is centralised between both wall posts and that the door is equally spaced and square within the outer frame.

- 10** Drill three 2.8mm holes through each wall post, using the vee groove as a guide, in line with the screws fastening the wall post to the wall.
Secure each wall post using 3 No. 6 x 3/8" screws (D), cover caps (E) and cover bases (F) provided.
Check door operation.

Note: Minor adjustment can be achieved by opening the door, untightening the screws in the pivot hinge block, moving the door into desired position and re-tightening the screws.

- 11** The power seal (C) fits on the bottom of the inside of the door between the raised handle and the raised seal, with the cut out fitting round the bottom of the handle. It will require cutting to length. On the inside face of the door, measure the distance between the raised handle and the raised seal. Measure this distance from one end of the power seal (C) and cut. Fit the power seal to the bottom of the door by simply clipping in place with the door closed.

- 12** Seal using a suitable silicone sealant to all internal and external vertical joints and the **external horizontal only.**

Caution:

DO NOT seal the internal horizontal, to allow correct drainage back into the tray.

Allow 24 hours for silicone to fully cure before use.

Care and attention.

Clean your enclosure with mild detergent and water promptly after use. This will prevent the build up of limescale.

NEVER use an abrasive or aggressive cleaner.

A proprietary glass cleaner can be used if necessary.

TROUBLE SHOOTING

Door does not close square.

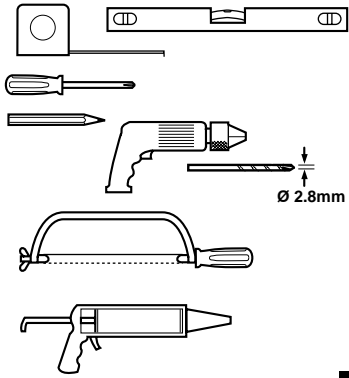
Ensure that the tray is level and 90° to the walls.

Check that the enclosure is vertical.

CONTENTS

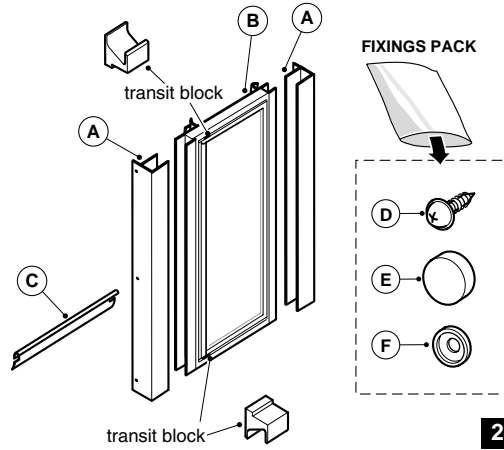
| REF | DESCRIPTION | QTY |
|-----|---------------------------------------|-----|
| | Door Pack | |
| A | WALL POST | 2 |
| B | PIVOT DOOR | 1 |
| C | POWER SEAL | 1 |
| | Fixings Pack | |
| D | SELF TAPPING SCREW, No 6 x 3/8in long | 6 |
| E | SCREW COVER CAP | 12 |
| F | SCREW COVER BASE | 12 |

TOOLS REQUIRED

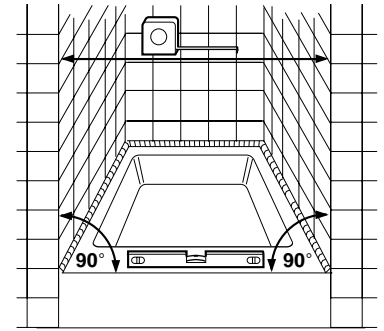


1

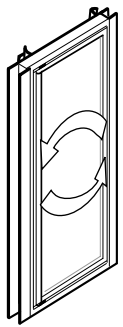
PIVOT DOOR



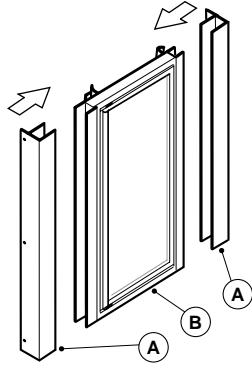
2



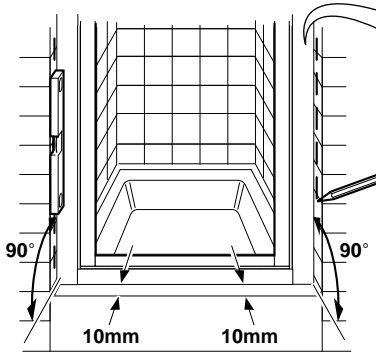
3



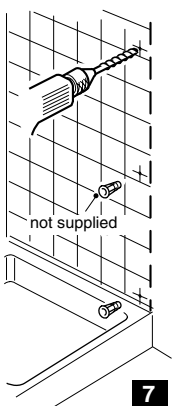
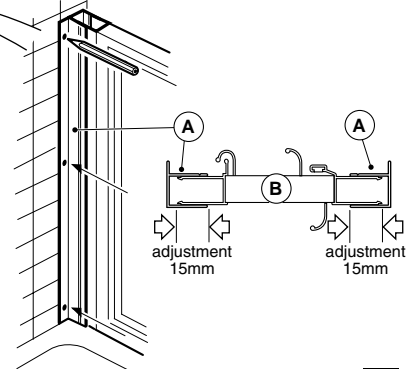
4



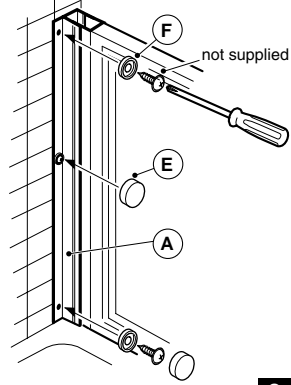
5



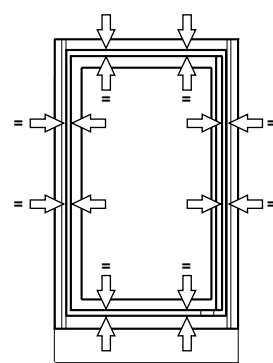
6



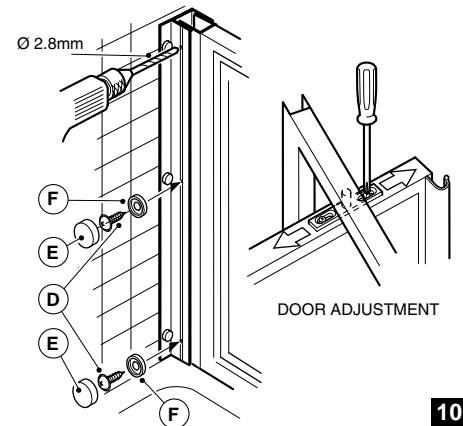
7



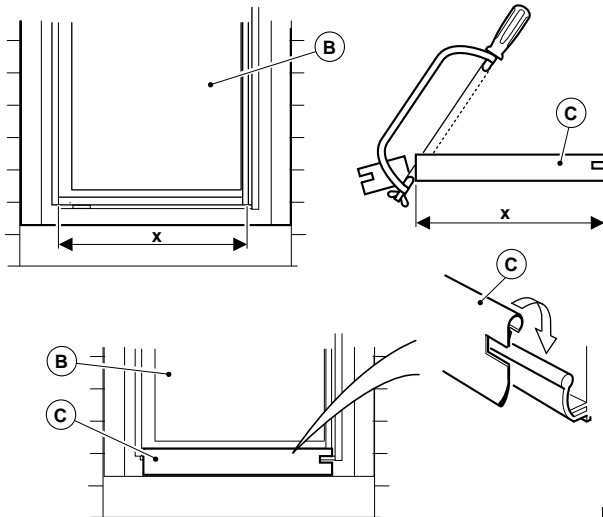
8



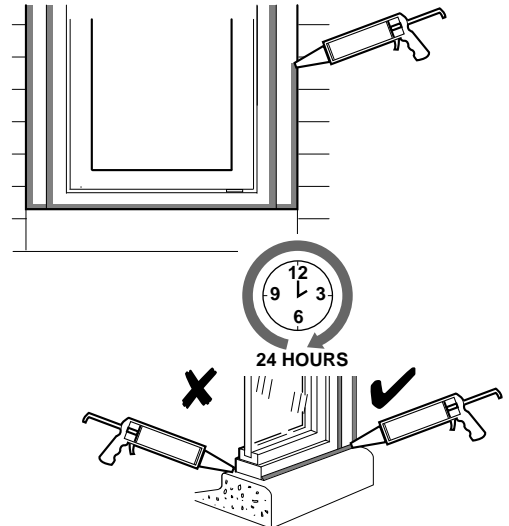
9



10



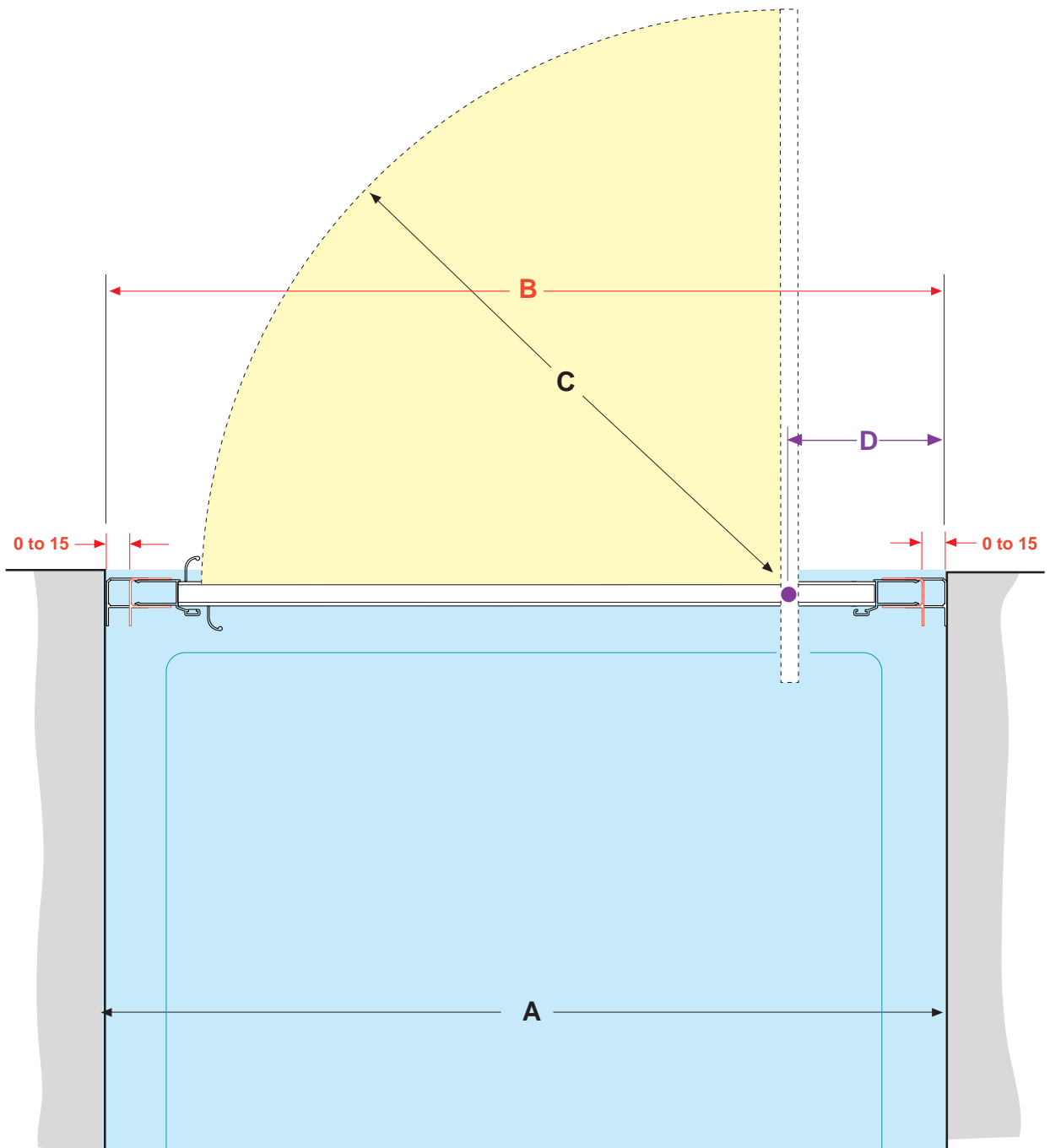
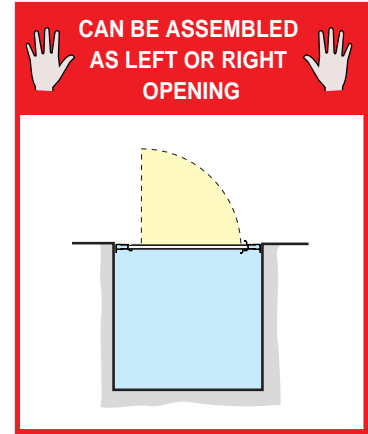
11



12

| STANDARD RECESS APPLICATIONS | | | | |
|------------------------------|------------|---------|------------------|--------------|
| A | B | C | D | |
| TRAY SIZE | ADJUSTMENT | OPENING | PIVOT ADJUSTMENT | REQUIREMENTS |
| 700 | 670 - 700 | 500 | 128 - 143 | 700 DOOR |
| 760 | 733 - 763 | 565 | 128 - 143 | 760 DOOR |
| 800 | 778 - 808 | 610 | 128 - 143 | 800 DOOR |
| 900 | 878 - 908 | 620 | 228 - 243 | 900 DOOR |

All nominal dimensions in millimetres



plumbworld
Big brands, small prices.

Pdf Supplied By <http://www.plumbworld.co.uk/>