



Contents

FEATURES AT A GLANCE	2
FRAMELESS COLLECTION	
FRAMELESS QUADRANT	4
Frameless Quadrant Fitting Instructions	5
Frameless Quadrant Specifications	8
FRAMELESS PIVOT DOOR	9
Frameless Pivot Door Fitting Instructions	10
Frameless Pivot Door Specifications	13
FRAMELESS SIDE PANEL	15
Frameless Side Panel Fitting Instructions	16
Frameless Side Panel Specifications	19

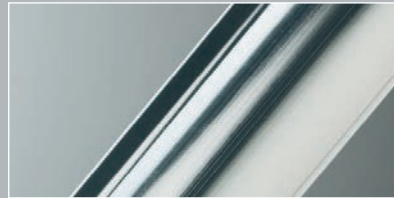
Features at a glance

Handles



The most striking addition to the Profile Plus collection is the stunning new door handle. Machined from solid brass and then chrome plated, the handle looks equally stylish with or without the easy grip insert.

Frames



Chrome coloured frames. All trims and mouldings are colour co-ordinated.

Concealed Fixing Covers



Full length aluminium profiles conceal all fixing screws.

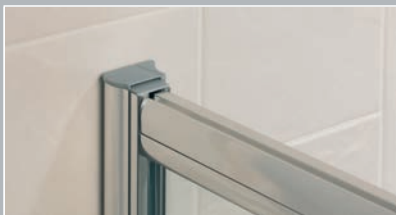
Glass Specification



Clear:

Crisp, clean and opulent to enhance any style of decor. Frameless Quadrants feature 5mm & 6mm toughened safety glass. Frameless Pivot doors feature 6mm toughened safety glass.

Vertical Cover Caps



For that all important finishing touch all vertical sections are neatly capped.



Polished finishing to BS 12373. Powder Coat to BS 6496.
Water testing to BS6340 Part 3. Toughened Safety Glass to BS 6206 Class A.
Extrusions to BS1474. Manufacturing quality procedures ISO 9001-2000.

FRAMELESS COLLECTION

Our **Frameless Door** collection captures the very latest in bathroom design with further refinements to the class leading Quadrant

General Specifications

GLASS:

Frameless Quadrant: 5mm & 6mm toughened safety glass to BS 6206 Class A

Frameless Pivot Door: 6mm toughened safety glass to BS 6206 Class A

EXTRUSIONS to BS 1474

POWDER COATING to BS 6496

POLISHED FINISHING to BS 6340 Part 3

WATER TESTING to BS 12373

Plumbworld Ltd believe that the specification details contained within this document are accurate at the time of publication. We reserve the right to alter specifications and information without prior notice. However by using this document and information contained therein the user assumes responsibility for the accuracy and suitability for the purpose for which it is intended. Plumbworld Ltd cannot accept responsibility for any occurrence however caused by the use of information contained within this document.



FRAMELESS QUADRANT

**THE ULTIMATE IN LUXURY FOR
QUARTER-CIRCLE SHOWER
ENCLOSURES**

FULL FITTING INSTRUCTIONS

all nominal dimensions in millimetres

- 1850 TALL
- ADJUSTABLE WALL POSTS
- 5/6mm TOUGHENED BS SAFETY GLASS
- SMOOTH ROLLER BEARING ACTION OFFERING MAXIMUM ENTRY
- POWER SHOWER TESTED
- COLOUR CO-ORDINATED WALL POST COVER CAPS
- CONCEALED FIXING COVERS

ENCLOSURE SIZE

800 x 1200

900 x 1200

GLASS DESIGN

CLEAR

FRAME COLOUR

CHROME

Please ensure that these instructions are read thoroughly prior to installation. The manufacturer cannot be held responsible for any problems arising from an incorrectly installed product.

Note: This is a quality heavy product. For certain operations, assistance may be required.

Prior to installation:

Carefully unwrap the product; ensuring it is placed on a clean surface to reduce the risk of scratching the finish. Inspect the product for transit damage, all such damage must be reported within 3 days of receipt to the supplier.

Important

Take care to avoid hidden water pipes and electrical cables when drilling into the wall.

Seek expert advice on:

the type of wall fixings applicable to your wall construction and the type of sealant to use in your application.

As with all toughened glass, handle the panels with extreme care avoiding any knocks to the unprotected edges.

Installation

The following text is to be read in conjunction with the pictorial diagrams.

- 1** Tools required.
- 2** Check contents and familiarise yourself with the items supplied.
- 3** Ensure that a suitable shower base has been installed as per the manufacturer's instructions, that it is level and the joint between the tiles and the tray is sealed with a continuous bead of suitable silicone sealant. Ensure that the walls are tiled and are vertical to the base. Check that the minimum and maximum adjustments of this product correspond to the dimensions of the tiled opening.
- 4** Slide two of the roller bearings (L) into one end of a track (D), taking care to put them in the correct way round (the pin holes in the top roller bearings face upwards and the pin holes in the bottom roller bearings face downwards). Tap in an end stop (K1). Slide two roller bearings into the other end of the track and tap in the end stop. Repeat this procedure, inserting the remaining roller bearings and end stops in the other track (D).
Note: For 1200 side panel, insert the small door stop (K2) into the track before fitting the end stop (K1). The small door stop should be glued in position 290mm from the end stop.
- 5** If space permits, it is easier if the enclosure is assembled laid out flat on a protective surface. Ensure that the **curved** faces of the top and bottom frames of the fixed panels (C) face the **outside** of the enclosure. Generously coat the top and bottom edges of the fixed panels (C) with silicone sealant. Place one track (D) onto the bottom of a fixed panel, push firmly into position and fix using No.6 x 1-1/4" screws (H) through the pre-drilled holes, two in the bottom and one in the side through the side panel. Repeat this procedure for the other track. Position the second fixed panel (C) between the top and bottom tracks. Fix the bottom track with No.6 x 1-1/4" screws (H) through the pre-drilled holes, three in the bottom and one in the side through the side panel. Repeat this procedure for the top track. If this panel is the same size as the first, only two screws are required top and bottom.
- 6** Stand the enclosure the correct way up. Push the wall posts (A) firmly onto the fixed panel sides (C), ensuring that the flange on each wall post is facing the inside of the enclosure. Lift the formed enclosure and place it onto the tray.
To prevent marking the tray when moving the enclosure about its surface, tape a layer of paper on top of the shower tray. Ensure the enclosure is vertical and set back approximately 10mm from the outside edge of the tray. If necessary, the width of the enclosure can be increased by moving the wall posts outwards from the door assembly, ensuring that there is enough overlap for the fixing screws to secure the wall posts and the door assembly together. Hold in place and draw a pencil line down the side of each wall post. Remove the enclosure and separate the wall posts from it.
- 7** Place the wall posts against the pencil lines and mark through the pre-punched holes. Drill the wall at the pre-marked positions and insert wall fixings (not supplied) applicable to your wall type construction. Remove the protective paper (if used) from the shower tray.
- 8** Attach both wall posts (A) to the wall using screws applicable to your wall fixings, ensuring that the head of the screw is not bigger than the flange of the wall post, otherwise it will prevent the correct fitting of the concealed fixing cover (B). It is recommended that you apply a small bead of silicone sealant behind the head of each screw before tightening to prevent water ingress.

- 9** Position the enclosure on the tray, ensuring it is centralised between both wall posts and square to the tray. To secure the enclosure to the wall posts, drill four holes with a 2.8mm drill bit through each wall post, using the vee groove as a guide, in line with the screws which fasten the wall posts to the wall. Fasten with the No.6 x 3/8" screws (P) and plastic washers (Q) provided.
- 10** Clip the concealed fixing covers (B) into position by pushing firmly over the plastic washers.
- 11** Lift one curved door panel (F) into the cubicle and line up the two top holes in the glass with the screw holes in the top bearings (L). Ensure that the hole for the door knob is nearest to the centre of the opening. *It is recommended that another person is available to assist.* Insert one M4 x 10mm screw (J) through a base washer (M) then through a plastic bush (O) and push through one of the holes in the top of the door. Screw into the bearing until resistance is felt. **It is important that the plastic bush (O) is not omitted as this protects the glass when the screw is tightened.**
DO NOT OVERTIGHTEN. Repeat this procedure for the other four screws. Fit the second door in a similar manner.
- 12** Place one plastic base washer (U) onto the threaded rod of the door handle (T) and insert the rod through the hole in the glass of the door. Slide the second washer (U) onto the threaded rod and screw on the second door handle (S).
DO NOT OVERTIGHTEN. Repeat the process fitting the door handle to the second door.
- 13** Firmly push the door seal (G) onto one of the doors (F) on the edge nearest to the door handle, ensuring that the raised bead on the single blade of the seal slides against the glass on the **outside** of the adjacent door when closed. Push an anti-splash seal (E) onto each door on the side opposite to the door handle, ensuring that the blade of the seal faces the glass in the side panel. Check the operation of the doors and fit the four plastic screw cover caps (N) to each door.
- 14** Push the cover caps (V) into position on the top of the enclosure (see separate instructions) and, if desired, push the rubber 'O' rings (R) onto the door handles. Finishing touch - fit the self adhesive badge.
- 15** If it is necessary to remove the concealed fixing covers (A), carefully remove the cover caps (V) from the wall posts. Insert a screwdriver between the concealed fixing cover and the wall post and gently prise the cover off.
- 16** Clean all sealing points and allow to dry. Seal using a suitable silicone sealant on all internal and external vertical joints and the **external horizontal joint only.**
Caution:
DO NOT seal the internal horizontal, to allow correct drainage back into the tray.
Allow 24 hours for silicone to fully cure before use.

Care and attention.

Clean your enclosure with mild detergent and water promptly after use. This will prevent the build up of limescale. NEVER use an abrasive or aggressive cleaner. A proprietary glass cleaner can be used if necessary. After long term use, lubricate rollers with white petroleum jelly. After extreme use, the doors may be removed to allow access to the rollers and track for cleaning. First remove the bearing caps (N), the screws (J) and the bearing cap washers (M) from the bottom of the door and then the top. Replace as in Step 11.

TROUBLE SHOOTING

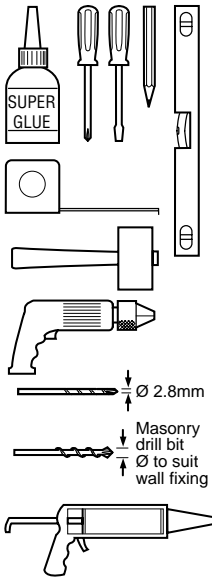
Fitting side panels to the tracks; a flush fit cannot be achieved
Undo screws through side panel vertical and tighten screws down into horizontal
Refit side panel vertical screws

Doors do not slide smoothly
Slacken off each bottom roller bearing screw (J) by a 1/4 turn, checking the door operation after adjusting each screw

Doors do not close square or securely
Ensure the tray is level and 90° to the walls
Check that the enclosure is vertical

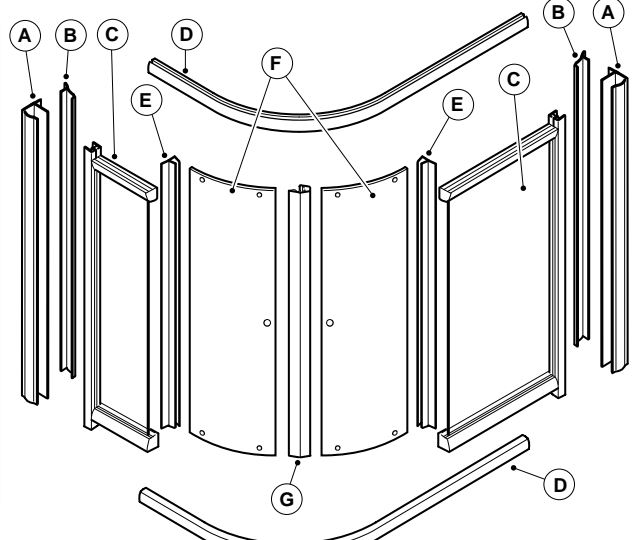
Concealed fixing cover will not fit
Check that the screw head is not catching the fixing cover
Ensure the fixing cover has not been twisted during fitting

TOOLS REQUIRED

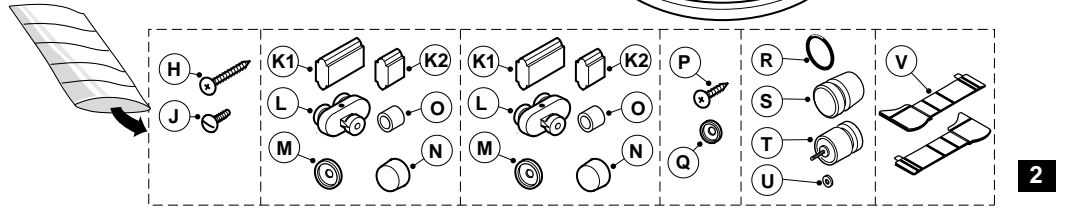


CONTENTS

REF	DESCRIPTION	QTY
A	FRAME PACK containing: WALL POST	2
B	CONCEALED FIXING COVER	2
C	FIXED SIDE PANEL	2
D	TRACK	2
E	DOOR PACK containing: ANTI-SPLASH SEAL	2
F	CURVED DOOR PANEL	2
G	DOOR SEAL	1
H	FIXINGS PACK containing: SCREW - No.6 x 1-1/4"	14
J	SCREW - M4 x 10mm, slotted panhead	8
K1	END STOP (centre ones supplied fitted)	4
K2	DOOR STOP	2
L	ROLLER BEARING	8
M	BEARING CAP WASHER	8
N	BEARING CAP	8
O	PLASTIC BUSH	8
P	SCREW - No.6 x 3/8"	8
Q	PLASTIC WASHER	8
R	'O' RING for door handle	4
S	DOOR HANDLE	2
T	DOOR HANDLE with threaded rod	2
U	BASE WASHER	4
V	COVER CAPS	1 set

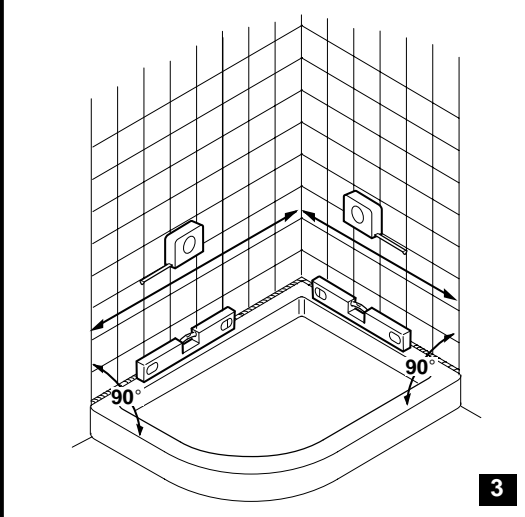


FIXINGS PACK

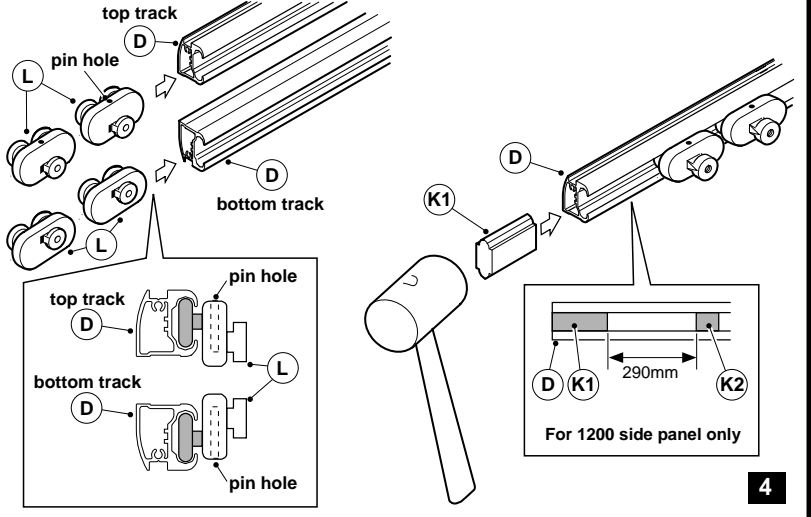


1

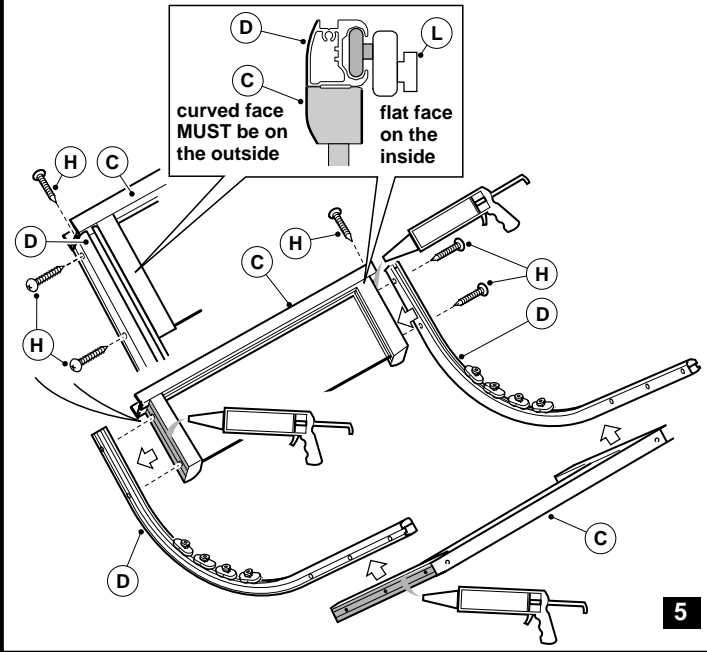
2



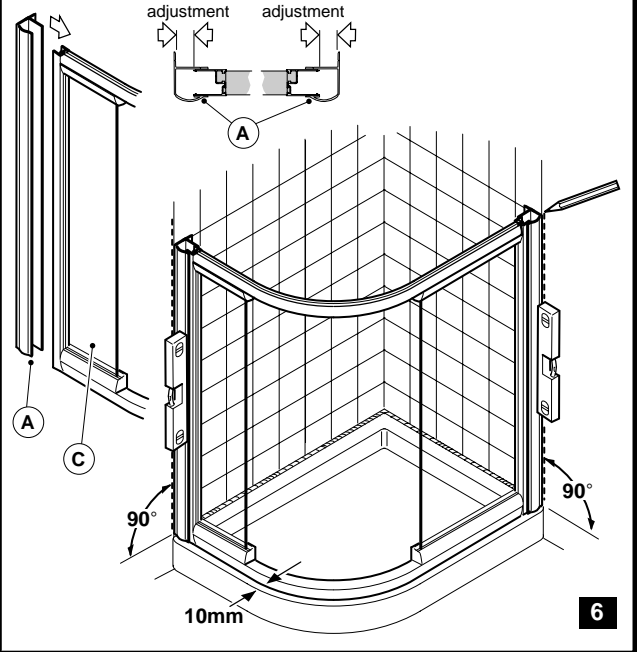
3



4

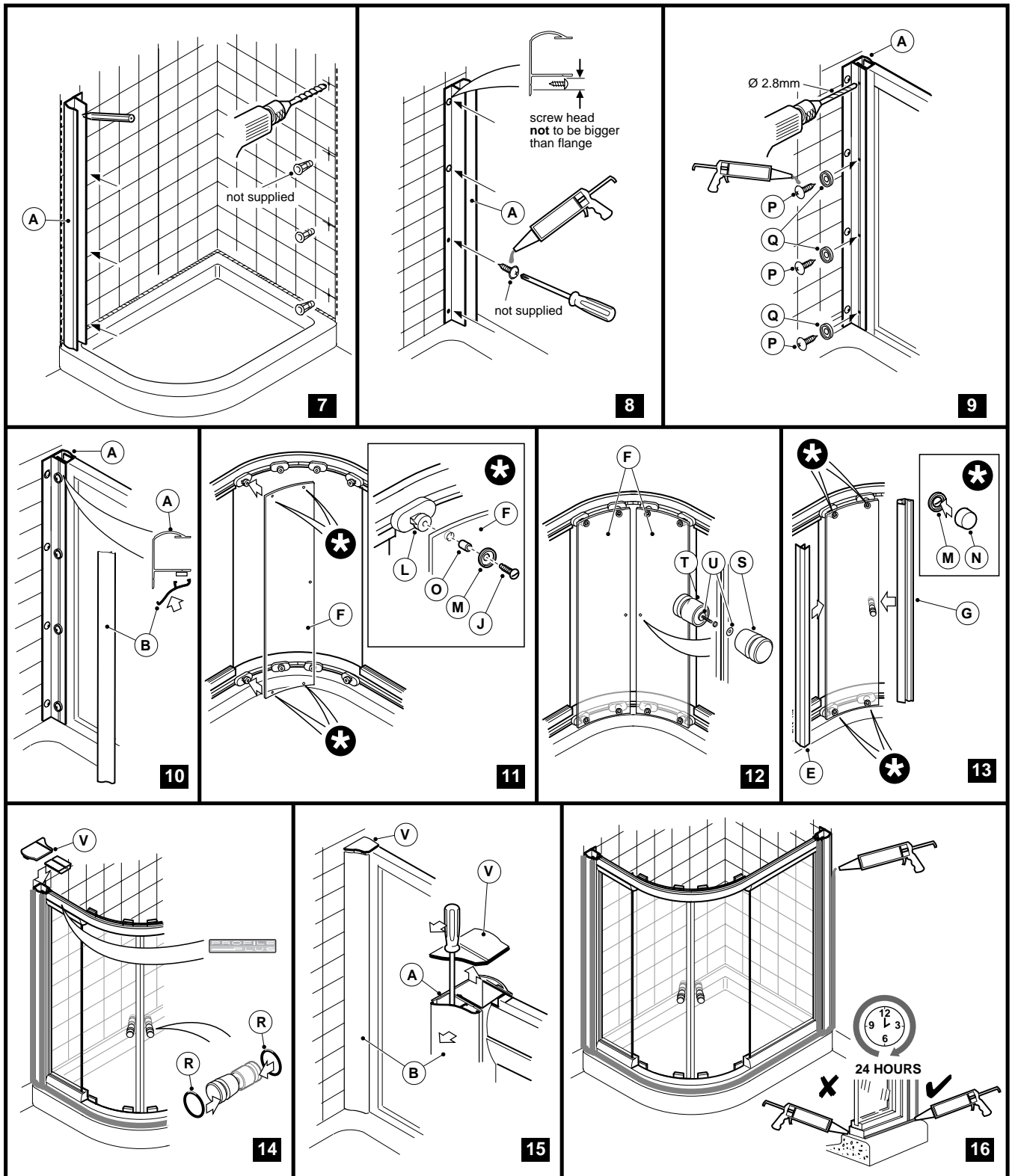


5



6

continued overleaf

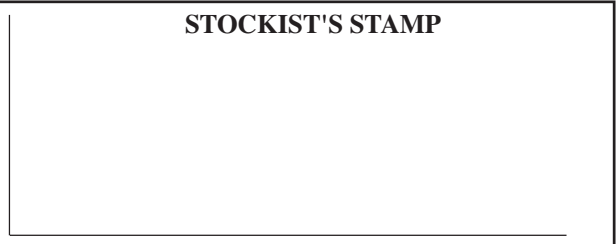


The manufacturer's policy is one of continuous development and improvement and accordingly we reserve the right to change specifications without prior notice. The utmost care has been taken in the manufacture of the Shower Enclosure to ensure that it gives complete satisfaction. To the best of our knowledge this product was in perfect condition when it left the factory but customers should note that claims for damage to glass, finish or shortages must be submitted to the vendor before installation. The manufacturer reserves the right to disallow claims once the assembly has been installed. Failure to follow the recommendations set out in these instructions or to install in a manner not approved by the manufacturer may result in all or part of the product guarantee being null and void.

10 YEAR GUARANTEE

This product is covered by a 10 year guarantee. Should any part of it become defective due to faulty materials or manufacture, it will be replaced free of charge (supply only). This guarantee does not cover glass breakage or any fault arising from incorrect installation. Any replacement parts are for DIY installation and no claim can be accepted for any costs incurred for the installation of the replacement parts. This guarantee does not affect your statutory rights. Please retain your receipt as dated proof of purchase. We reserve the right to change the specification of our products without prior notice.

STOCKIST'S STAMP



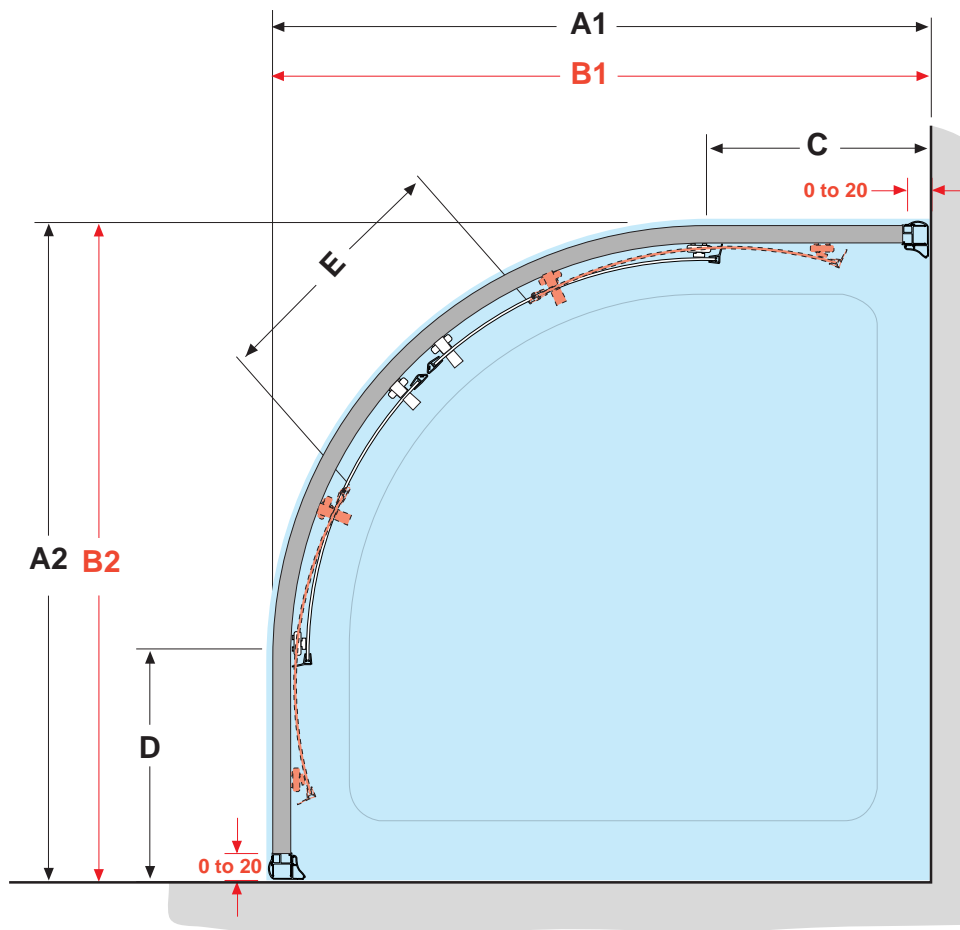
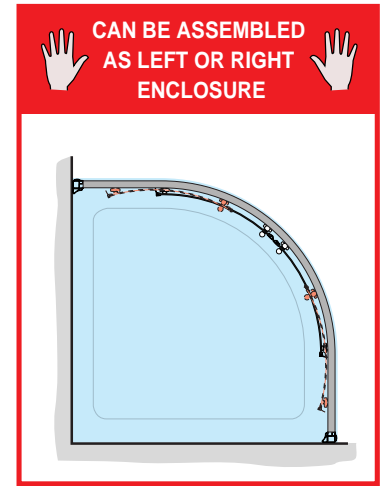
Frameless Quadrant Specifications

ENCLOSURE ADJUSTMENTS

TRAY SIZE*		ADJUSTMENT		FIXED PANEL	FIXED PANEL	OPENING
A1	A2	B1	B2	C	D	E
800 x 1200		755 - 775	1155 - 1175	250	650	485
900 x 1200		855 - 875	1155 - 1175	350	650	550

* TRAY RADIUS: 550

All nominal dimensions in millimetres





FRAMELESS PIVOT DOOR

FRAMELESS SIMPLICITY

FULL FITTING INSTRUCTIONS

all nominal dimensions in millimetres

- 1850 TALL
- ADJUSTABLE WALL POSTS
- LEFT OR RIGHT HAND OPENING
- 6mm TOUGHENED BS SAFETY GLASS
- ADJUSTABLE PIVOT ASSEMBLY
- POWER SHOWER TESTED
- COLOUR CO-ORDINATED WALL POST COVER CAPS
- CONCEALED FIXING COVERS

DOOR SIZE

760

800

900

GLASS DESIGN

CLEAR

FRAME COLOUR

CHROME

DOOR ADJUSTMENT

760 DOOR	724-764mm
----------	-----------

900 DOOR	864-904mm
----------	-----------

Please ensure that these instructions are read thoroughly prior to installation.

The manufacturer cannot be held responsible for any problems arising from an incorrectly installed product.

Prior to installation:

Carefully unwrap the product; ensuring it is placed on a clean surface to reduce the risk of scratching the finish.

Inspect the product for transit damage, all such damage must be reported within 3 days of receipt to the supplier.

Important

Take care to avoid hidden water pipes and electrical cables when drilling into the wall.

Seek expert advice on the type of wall fixings applicable to your wall construction and the type of sealant to use in your application.

Installation

The following text is to be read in conjunction with the pictorial diagrams.

- 1** Tools required.
- 2** Check contents and familiarise yourself with the items supplied.
- 3** Ensure that a suitable shower base has been installed as per the manufacturers instructions, that it is level and the joint between the tiles and the tray is sealed with a continuous bead of suitable silicone sealant.
Ensure that the walls are tiled and are vertical to the base.
Check the minimum and maximum adjustments of this product correspond to dimensions of the tiled opening.
- 4** Select left or right handing opening of the door (D) by rotating it through 180°.
Note: This door has been designed to open outwards only.
- 5** Place one plastic base washer (H) onto the threaded rod of the door handle (J) and insert the rod through the hole in the glass of the door.
Slide the second washer onto the threaded rod and screw on the second door handle (G).
DO NOT OVERTIGHTEN.
- 6** Push the wall posts (B) fully home onto the door assembly, ensuring that the pre-drilled flange on each wall post is facing inside the enclosure.
- 7** Lift the enclosure onto the tray.
To prevent marking the tray when moving the enclosure about its surface, tape a layer of paper on top of the shower base.
Ensure that the enclosure is vertical and set back approximately 10mm from the outside edge of the tray.
If necessary, the width of the enclosure can be increased by moving the wall posts outwards from the door assembly, ensuring that there is enough overlap for the fixing screws to secure the wall posts and the door assembly together.
Hold in place and draw a pencil line down the side of each wall post and mark through the pre-punched holes.
Remove the enclosure with wall posts attached from the tray.
- 8** Drill the wall at the pre-marked positions and insert wall fixings (not supplied) applicable to your wall type construction.
Remove the protective paper, if used, from the tray.
Reposition the enclosure with the wall posts onto the shower tray, using the drawn pencil lines as a guide.

- 9** Secure the wall posts (B) to the wall using screws applicable for your wall fixings (not supplied), ensuring that the head of the screw is not bigger than the flange of the wall post, otherwise it will prevent the correct fitting of the concealed fixing cover (A).
It is recommended that a small bead of silicone sealant is applied behind the head of each screw before tightening to prevent water ingress.
- 10** Check the position of the outer door frame, ensuring it is centralised between both wall posts and that the door is equally spaced and square within the outer frame.
- 11** To secure the enclosure to the wall posts, drill four holes with a 2.8mm drill bit through each wall post, using the vee groove as a guide, in line with the screws which fasten the wall posts to the wall.
Fasten with the No.6 x 3/8" screws (K) and plastic washers (L) provided.
Remove the transit blocks from between the door and frame and discard.
Check that the door operates correctly. Minor adjustment can be achieved by untightening the screws in the pivot hinge blocks, moving the door into the desired position and re-tightening the screws.
- 12** Clip the concealed fixing covers (A) into position by pushing them firmly over the plastic washers.
- 13** With the door open, firmly push the long bottom door seal (N1) upwards onto the bottom of the door at the side of the pivot which opens into the room, ensuring it is the correct way round. Push the short bottom door seal (N2) upwards onto the door on the side of the pivot which opens into the shower.
- 14** Seal using a suitable silicone sealant to all internal and external vertical joints and the **external horizontal joint only**.
Caution:
DO NOT seal the internal horizontal joints to allow correct drainage back into the tray.
Allow 24 hours for silicone to fully cure before use.
- 15** Push the cover caps (M) into position on the top of the enclosure (see separate instructions) and, if required, push the rubber 'O' rings (F) onto the door knobs.
Push the inner hinge covers (C) and outer hinge covers (E) into place.
Finishing touch - fit the self adhesive badge.
- 16** If it is necessary to remove the concealed fixing covers (A), carefully remove the cover caps (M) from the wall posts. Insert a screwdriver between the concealed fixing cover and the wall post and gently prise the cover off.
The inner and outer hinge covers (C, E) may also be removed from the hinge. Carefully insert a flat bladed screwdriver between the hinge and the cover and gently prise the cover off.

Care and attention

Clean your enclosure with mild detergent and water promptly after use. This will prevent the build up of limescale.

NEVER use an abrasive or aggressive cleaner.

A proprietary glass cleaner can be used if necessary.

TROUBLE SHOOTING

Door does not close square.

Ensure that the tray is level and 90° to the walls.
Check that the enclosure is vertical.

Concealed fixing cover will not fit.

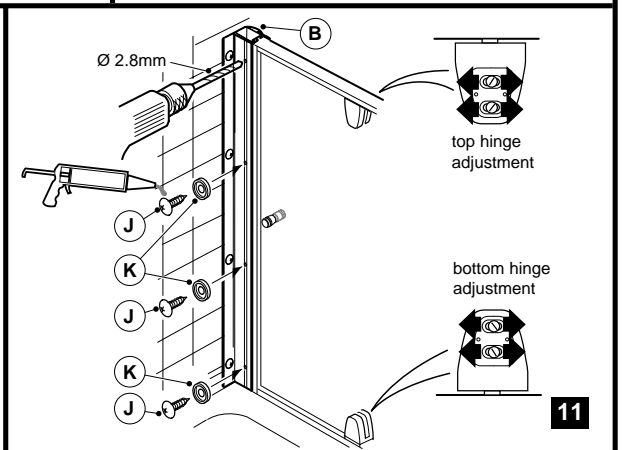
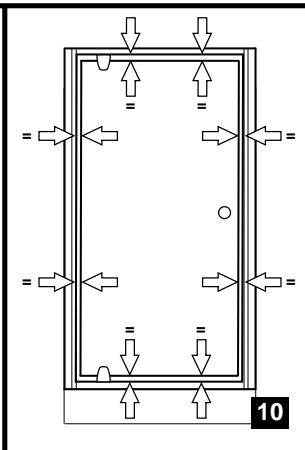
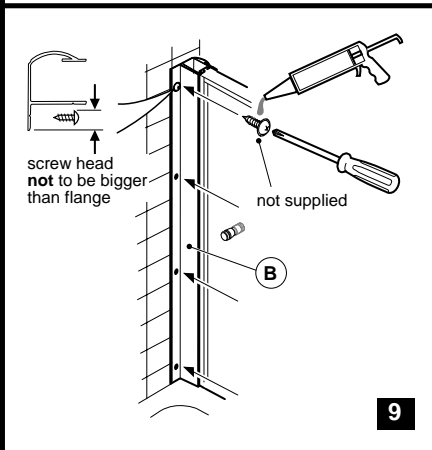
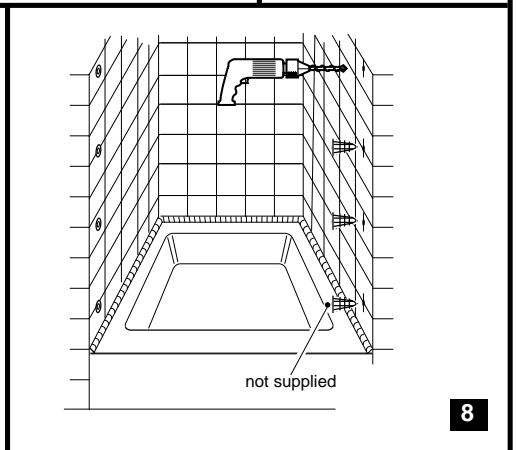
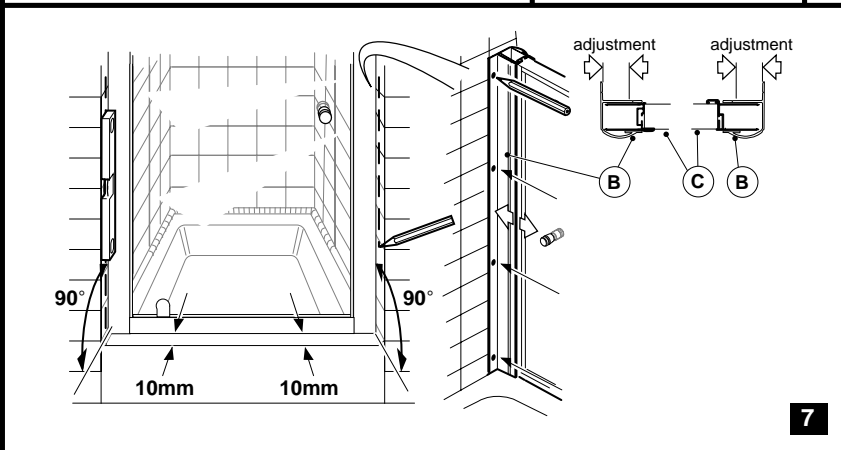
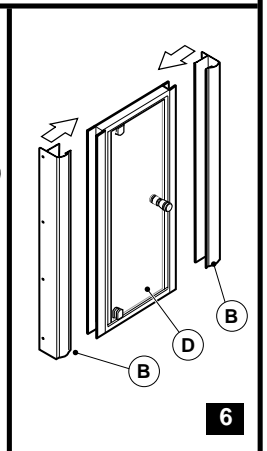
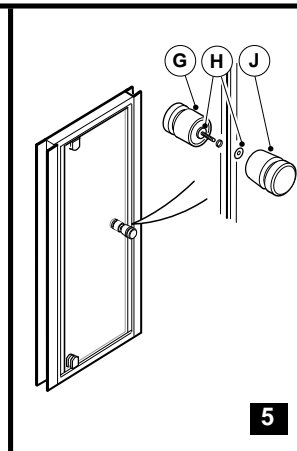
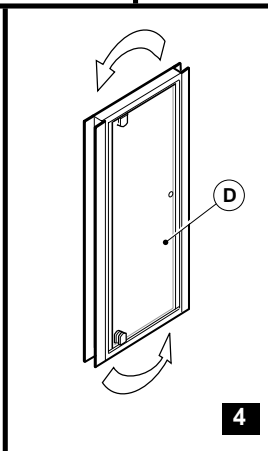
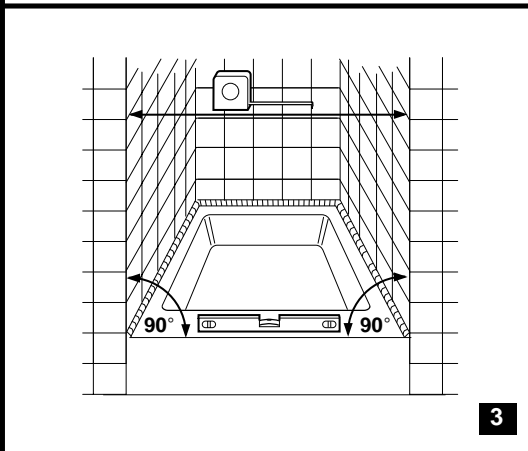
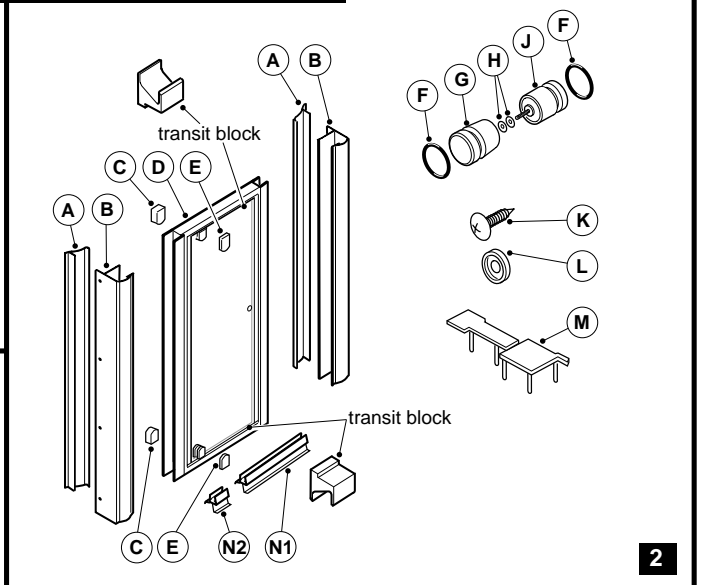
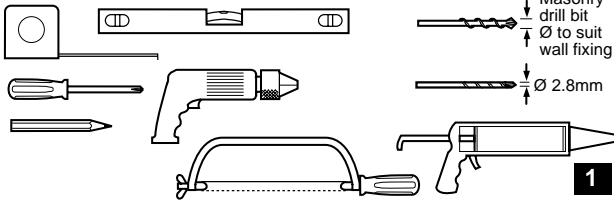
Check that the screw head is not catching the fixing cover.
Ensure that the fixing cover has not been twisted during fitting.

FRAMELESS PIVOT DOOR

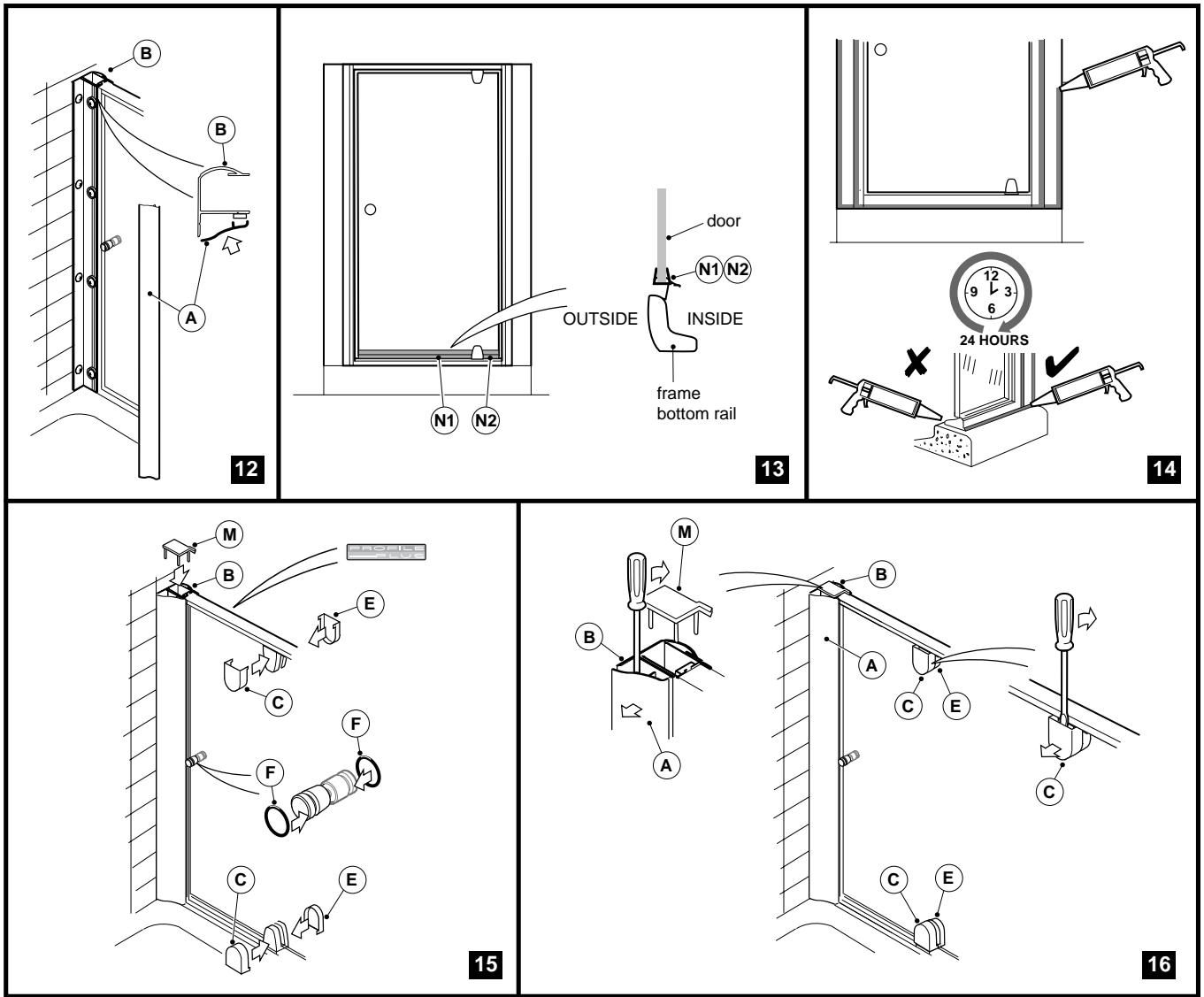
CONTENTS

REF	DESCRIPTION	QTY
A	CONCEALED FIXING COVER	2
B	WALL POST	2
C	INNER COVER for door hinge	2
D	'FRAMELESS' DOOR	1
E	OUTER COVER for door hinge	2
F	'O' RING for door handle	2
G	DOOR HANDLE	1
H	BASE WASHER	2
J	DOOR HANDLE with threaded stud	1
K	SELF TAPPING SCREW No 6 x 3/8" LONG	8
L	PLASTIC WASHER	8
M	PLASTIC COVER CAPS	1 set
N1	BOTTOM DOOR SEAL, long	1
N2	BOTTOM DOOR SEAL, short	1

TOOLS REQUIRED



continued overleaf

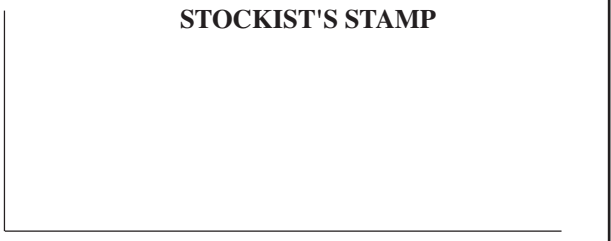


The manufacturer's policy is one of continuous development and improvement and accordingly we reserve the right to change specifications without prior notice. The utmost care has been taken in the manufacture of the Shower Enclosure to ensure that it gives complete satisfaction. To the best of our knowledge this product was in perfect condition when it left the factory but customers should note that claims for damage to glass, finish or shortages must be submitted to the vendor before installation. The manufacturer reserves the right to disallow claims once the assembly has been installed. Failure to follow the recommendations set out in these instructions or to install in a manner not approved by the manufacturer may result in all or part of the product guarantee being null and void.

10 YEAR GUARANTEE

This product is covered by a 10 year guarantee. Should any part of it become defective due to faulty materials or manufacture, it will be replaced free of charge (supply only). This guarantee does not cover glass breakage or any fault arising from incorrect installation. Any replacement parts are for DIY installation and no claim can be accepted for any costs incurred for the installation of the replacement parts. This guarantee does not affect your statutory rights. Please retain your receipt as dated proof of purchase. We reserve the right to change the specification of our products without prior notice.

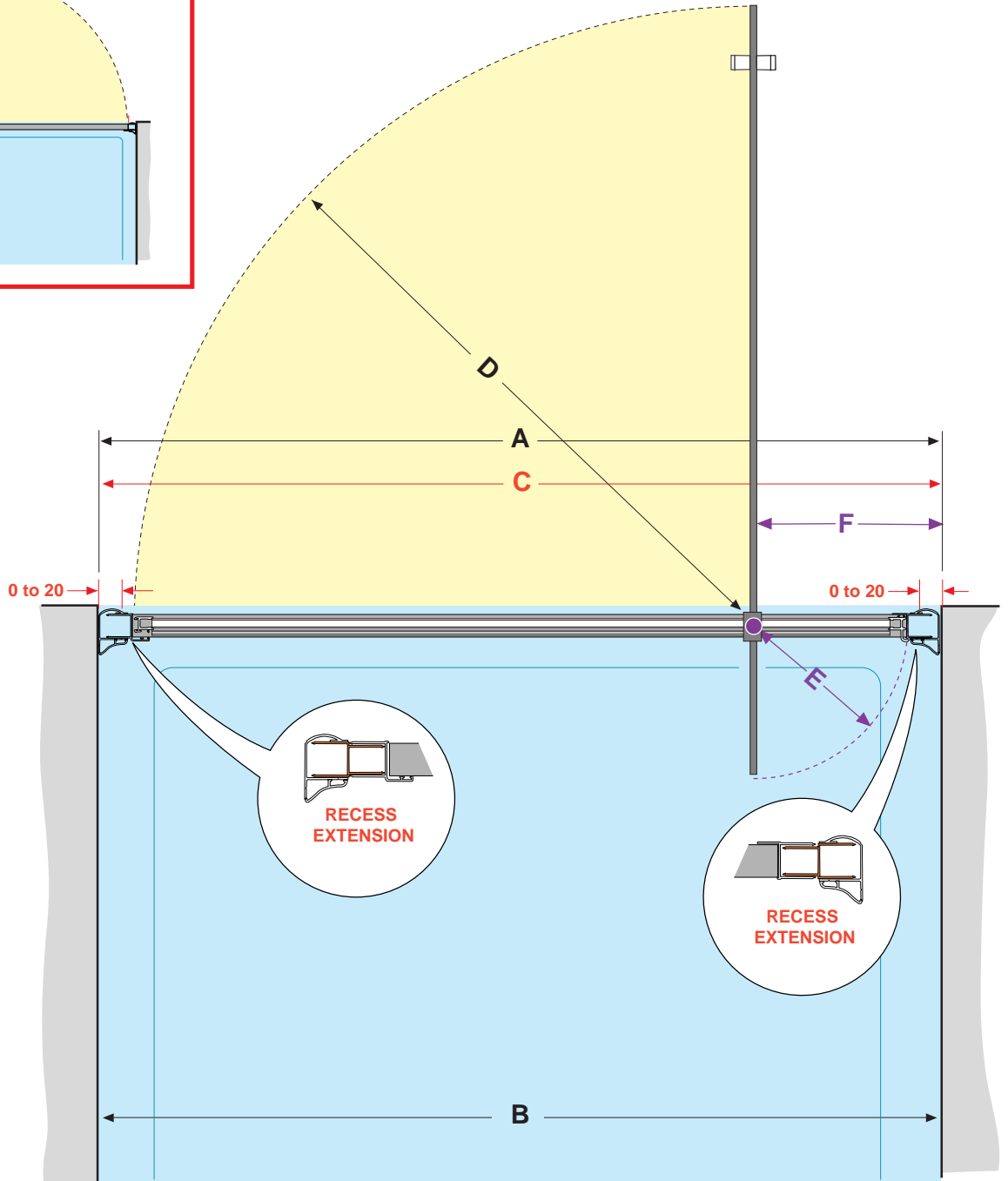
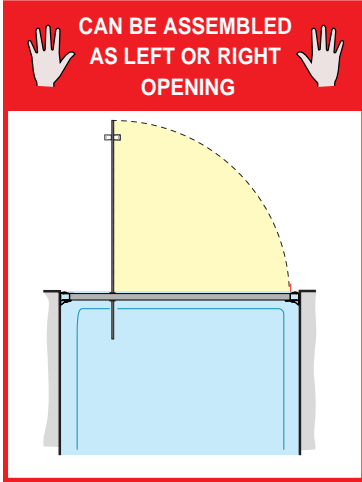
STOCKIST'S STAMP



Frameless Pivot Door Specifications

STANDARD RECESS APPLICATIONS						
A RECESS WIDTH	B TRAY SIZE	C ADJUSTMENT	D OPENING OUTWARDS	E OPENING INWARDS	F PIVOT TO WALL ADJUSTMENT	REQUIREMENTS
760	760	724 - 764	550	100	135 - 155	760 DOOR
800	800	764 - 804	550	100	155 - 175	760 DOOR + RECESS EXTENSION KIT
900	900	864 - 904	590	200	235 - 255	900 DOOR

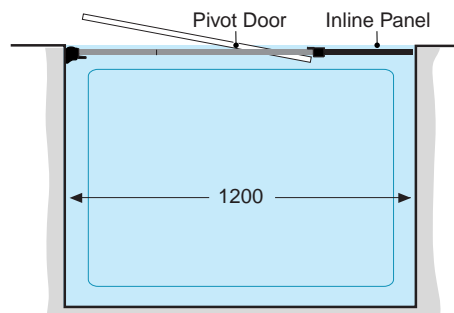
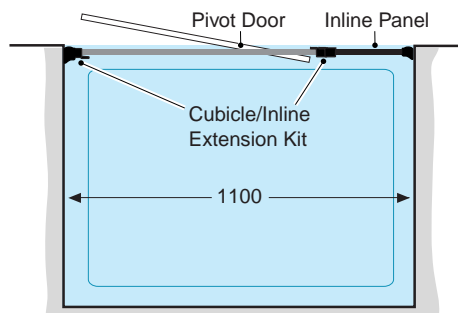
All nominal dimensions in millimetres



ADDITIONAL RECESS APPLICATIONS

RECESS WIDTH	TRAY SIZE	ADJUSTMENT	REQUIREMENTS
1100	1100	1064 - 1104	760 DOOR + INLINE PANEL PACK+ CUBICLE/INLINE EXTENSION KIT
1200	1200	1164 - 1204	900 DOOR + INLINE PANEL PACK

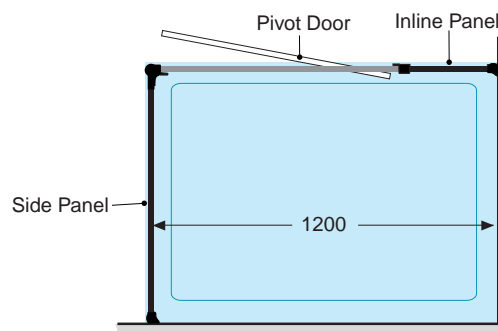
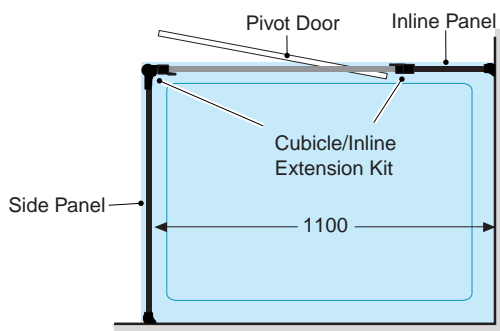
All nominal dimensions in millimetres



CUBICLE APPLICATIONS

TRAY SIZE	ADJUSTMENT	REQUIREMENTS
1100	1070 - 1110	760 DOOR + INLINE PANEL PACK + EXTENSION KIT + SIDE PANEL
1200	1170 - 1210	900 DOOR + INLINE PANEL PACK + SIDE PANEL

All nominal dimensions in millimetres

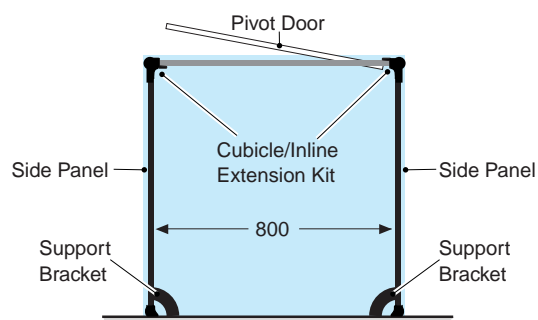
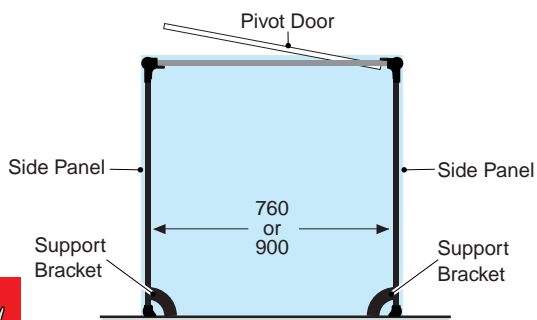


For other cubicle applications see Side Panel section

3 SIDED CUBICLE APPLICATIONS

TRAY SIZE	ADJUSTMENT	REQUIREMENTS
760	736 - 776	760 DOOR + 2 x SIDE PANELS + BRACKET KIT
800	776 - 816	760 DOOR + 2 x SIDE PANELS + 2 x EXTENSION KITS + BRACKET KIT
900	876 - 916	900 DOOR + 2 x SIDE PANELS + BRACKET KIT

All nominal dimensions in millimetres



For Support Bracket details, see page 59



FRAMELESS SIDE PANEL

**CREATE A CUBICLE USING ANY
SIZE OF DOOR AND SIDE PANEL
COMBINATION**

FULL FITTING INSTRUCTIONS

all nominal dimensions in millimetres

- 1850 TALL
- ADJUSTABLE WALL AND CORNER POST
- LEFT OR RIGHT HAND ASSEMBLY
- 5mm TOUGHENED BS SAFETY GLASS
- FOR USE WITH FRAMELESS PIVOT DOOR AND SINGLE SLIDER
- POWER SHOWER TESTED
- COLOUR CO-ORDINATED WALL POST COVER CAPS
- CONCEALED FIXING COVERS

DOOR SIZE

760

800

900

GLASS DESIGN

CLEAR

FRAME COLOUR

CHROME

Please ensure that these instructions and the instructions supplied with the door are read thoroughly prior to installation.

The manufacturer cannot be held responsible for any problems arising from an incorrectly installed product.

Prior to installation:

Carefully unwrap the product; ensuring it is placed on a clean surface to reduce the risk of scratching the finish.

Inspect the product for transit damage, all such damage must be reported within 3 days of receipt to the supplier.

Important

Take care to avoid hidden water pipes and electrical cables when drilling into the wall.

Seek expert advice on the type of wall fixings applicable to your wall construction and the type of sealant to use in your application.

Installation

The following text is to be read in conjunction with the pictorial diagrams and the instructions supplied with the door.

Note: Two people may be required to lift this enclosure.

- 1** Tools required.
- 2** Check contents and familiarise yourself with the items supplied. Please note that the wall post (E) supplied in this kit replaces one of the wall posts supplied in the door kit.
- 3** Ensure that a suitable shower base has been installed as per the manufacturers instructions, that it is level and the joint between the tiles and the tray is sealed with a continuous bead of suitable silicone sealant.
Ensure that the walls are tiled and are vertical to the base.
Check the minimum and maximum adjustments of this product correspond to dimensions of the tiled opening.
Note: To make an 800 enclosure an 800 cubicle extension kit is required.
- 4** Select the side of the door (C) to which you wish to fit side panel. Form the enclosure by pushing the wall posts and corner post (B) fully home onto the door and the side panel, ensuring that the pre-drilled flange is facing inside enclosure.
Note: If fitting a pivot door it is advisable to ensure that the pivot point of the door is next to the wall.
- 4A** The extension posts (H) and (J) are designed as a clip fit and are to be attached to the door and side panel verticals prior to the wall posts.
Note: See sealing instructions in extension kit.
- 5** Lift the enclosure onto the tray.
To prevent marking the tray when moving the enclosure about its surface, tape a layer of paper on top of the shower base.
Ensure that the enclosure is vertical and set back 10mm from the outside edge of the tray.
If necessary, the width of the enclosure can be increased by moving the wall posts and corner post outwards from the side panel and door, ensuring that there is enough overlap for the fixing screws to secure the assembly together.
Hold in place and draw a pencil line down the side of each wall post and mark through the pre-punched holes.
Remove the enclosure with wall posts attached (and extension posts if fitted) from the tray.

- 6** Drill, at the pre-marked positions and insert wall fixings applicable to your wall type construction (not supplied).
Remove the protective paper (If used) from the shower tray.
Reposition formed enclosure onto the shower tray, using the drawn pencil lines as a guide.
- 7** Secure the wallposts to the wall using screws applicable for your wall fixings (not supplied), ensuring that the head of the screw is not bigger than the flange of the wall post, otherwise it will prevent the correct fitting of the concealed fixing cover (D).
It is recommended that a small bead of silicone sealant is applied behind the head of each screw before tightening to prevent water ingress.
- 8** Position the door and the side panel, ensuring that they are centralised between both the wall post and the corner post and that the door is equally spaced and square within the outer frame.
To secure the side panel (C) and door to the wall posts, drill four holes with a 2.8mm drill bit through each wall post, using the vee groove as a guide, in line with the four screws which fasten the wall post to the wall.
Fasten with the No.6 x 3/8in. screws (F) and plastic washers (G) provided.
Drill four holes in each of the inside faces of the corner post (B) using the vee groove in each face as a guide, in line with the screws securing the panel to the wall posts.
Fasten the corner post to the side panel and the door assembly using the plastic washers (G) and No.6 x 3/8in. screws (F).
Check the operation of the door and adjust as necessary according to the instructions supplied with the door.
- 9** Clip the wall post concealed fixing cover (D) into position by pushing it firmly over the plastic washers on the wall posts. Similarly, clip the corner post concealed fixing cover (A) over the plastic washers on the corner post, taking care to fit it the correct way round.
- 10** Push the cover caps (G) into position on top of the enclosure (see separate instructions).
Finishing touch - fit the self adhesive badge.
- 11** If it is necessary to remove the concealed fixing covers, carefully remove the cover caps (G) from the wall posts or corner post. Insert a screwdriver between the cover and the wall post or corner post and carefully prise the cover off.
- 12** Seal using a suitable silicone sealant to all internal and external vertical joints and the **external horizontal only**.
Caution:
DO NOT seal the internal horizontal, to allow correct drainage back into the tray.
Allow 24 hours for silicone to fully cure before use.

Care and attention.

Clean your enclosure with mild detergent and water promptly after use. This will prevent the build up of limescale.

NEVER use an abrasive or aggressive cleaner.

A proprietary glass cleaner can be used if necessary.

TROUBLE SHOOTING

Door does not close square.

Ensure the tray is level and 90° to the walls.
Check that the enclosure is vertical.

Concealed fixing cover will not fit.

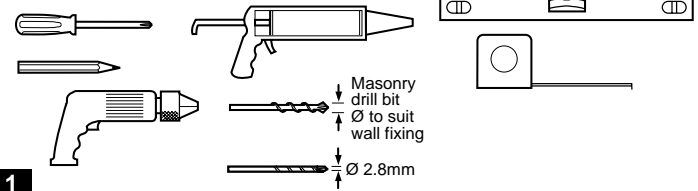
Check that the screw head is not catching the fixing cover.
Ensure the fixing cover has not been twisted during fitting.

FRAMELESS SIDE PANEL

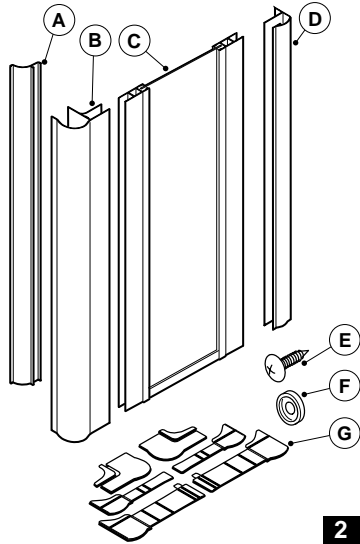
CONTENTS

REF	DESCRIPTION	QTY
A	CORNER POST CONCEALED FIXING COVER	1
B	CORNER POST	1
C	SIDE PANEL	1
D	SIDE PANEL WALL POST	1
E	SELF TAPPING SCREWS x No 6 x 3/8" LONG	8
F	PLASTIC WASHERS	8
G	PLASTIC COVER CAPS	1 set

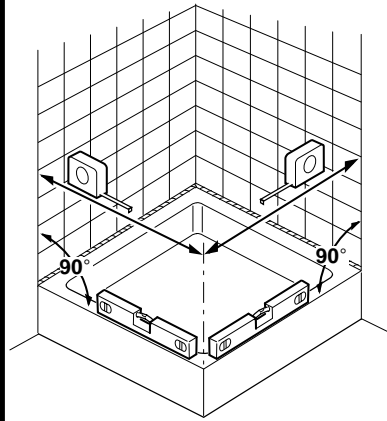
TOOLS REQUIRED



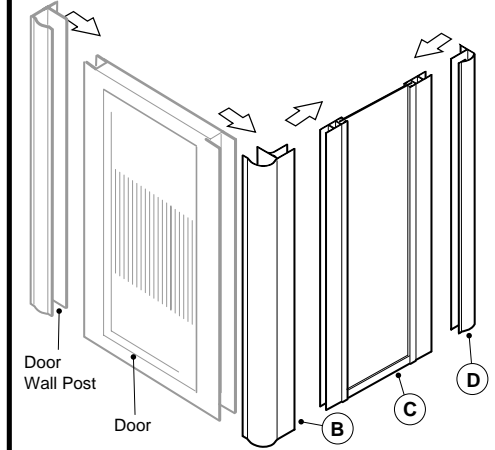
1



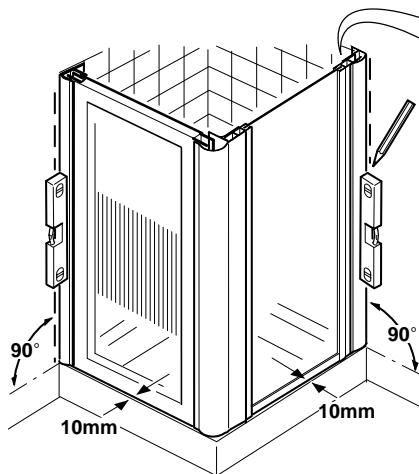
2



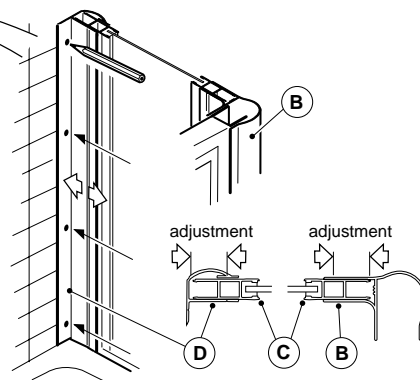
3



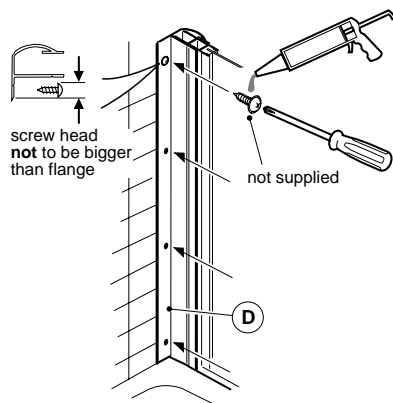
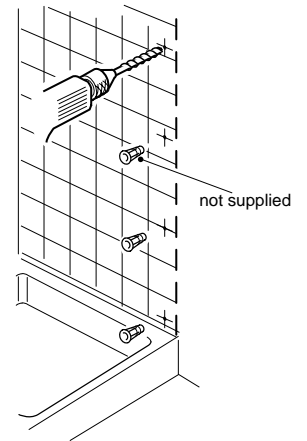
4



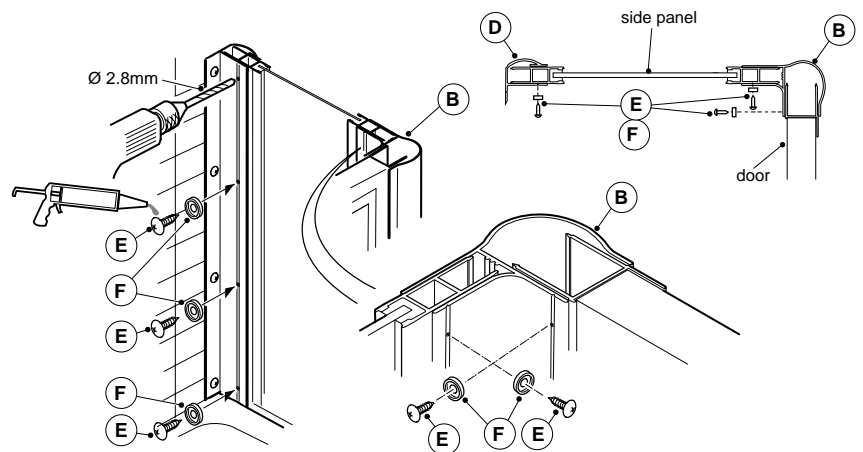
5



6

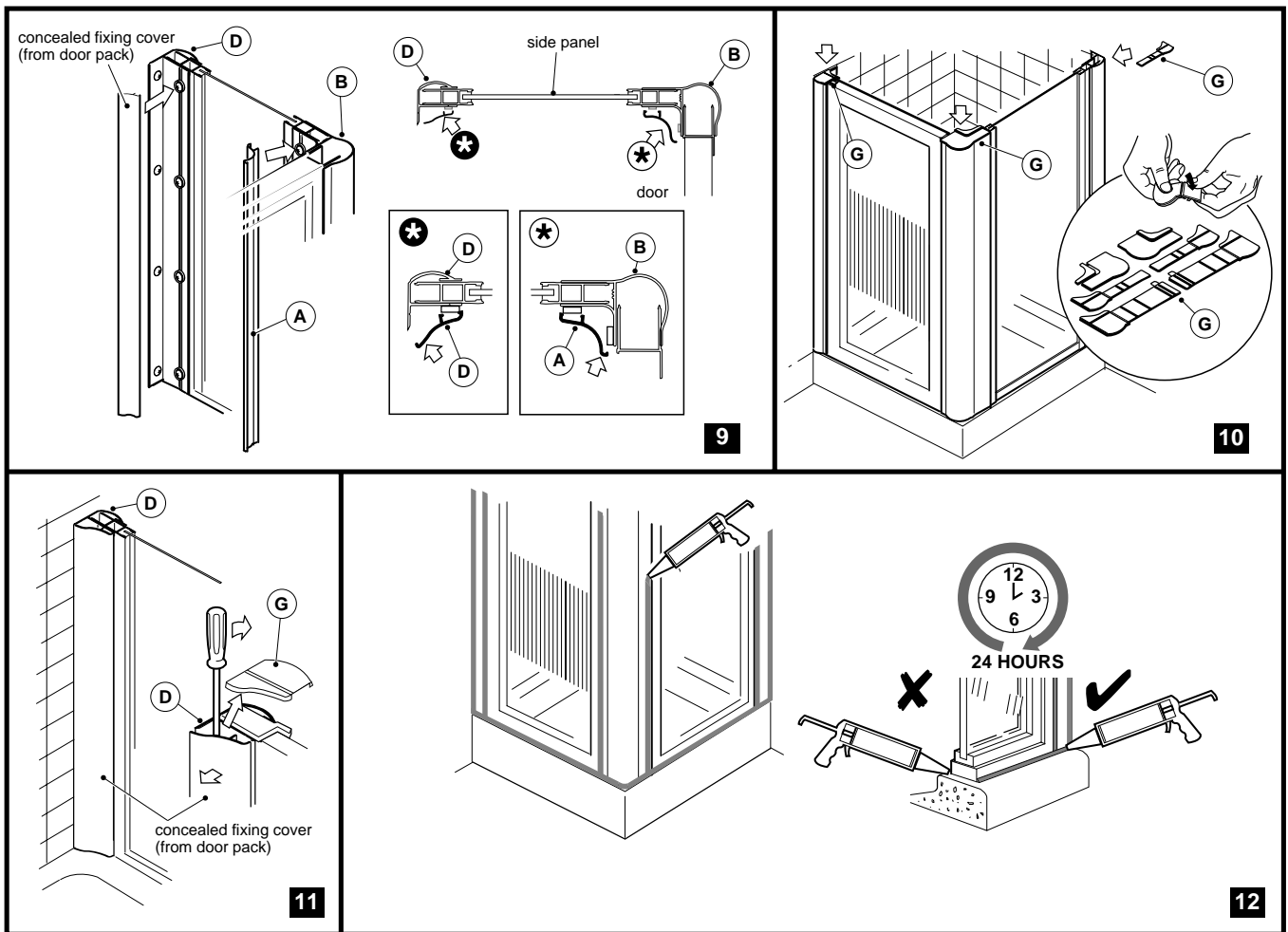


7



8

continued overleaf



The manufacturer's policy is one of continuous development and improvement and accordingly we reserve the right to change specifications without prior notice. The utmost care has been taken in the manufacture of the Shower Enclosure to ensure that it gives complete satisfaction. To the best of our knowledge this product was in perfect condition when it left the factory but customers should note that claims for damage to glass, finish or shortages must be submitted to the vendor before installation. The manufacturer reserves the right to disallow claims once the assembly has been installed. Failure to follow the recommendations set out in these instructions or to install in a manner not approved by the manufacturer may result in all or part of the product guarantee being null and void.

10 YEAR GUARANTEE

This product is covered by a 10 year guarantee. Should any part of it become defective due to faulty materials or manufacture, it will be replaced free of charge (supply only). This guarantee does not cover glass breakage or any fault arising from incorrect installation. Any replacement parts are for DIY installation and no claim can be accepted for any costs incurred for the installation of the replacement parts. This guarantee does not affect your statutory rights. Please retain your receipt as dated proof of purchase. We reserve the right to change the specification of our products without prior notice.

STOCKIST'S STAMP

Frameless Side Panel Specifications

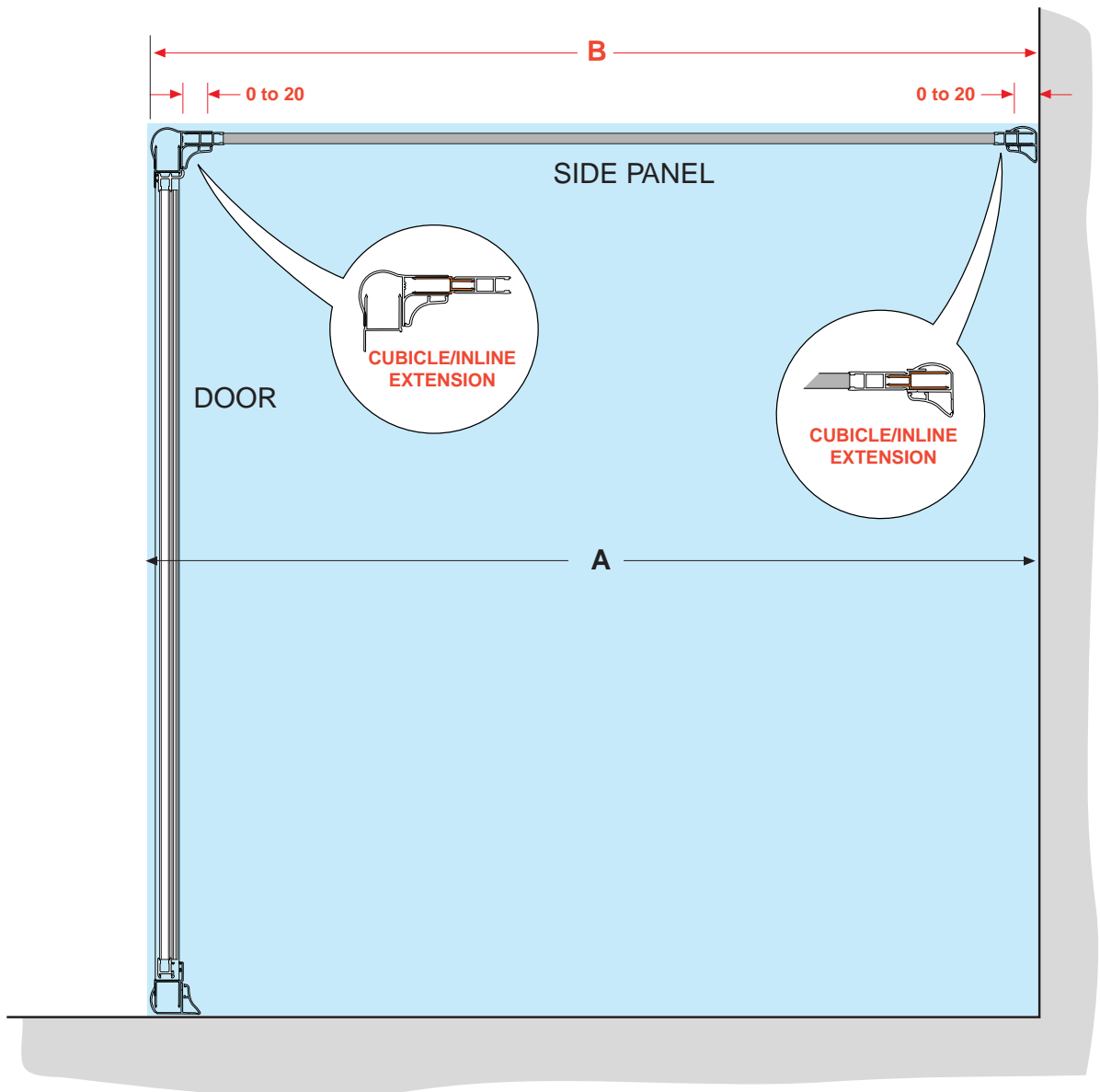
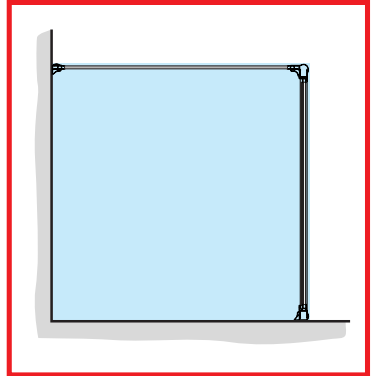
FOR USE WITH:
FRAMELESS PIVOT DOOR OR SINGLE SLIDER

STANDARD CUBICLE APPLICATIONS

A	B	REQUIREMENTS
TRAY SIZE	ADJUSTMENT	
760	730 - 770	760 PANEL
800	750 - 790	760 PANEL + CUBICLE/INLINE EXTENSION KIT
900	870 - 910	900 PANEL

All nominal dimensions in millimetres
For door opening dimensions see Pivot or Bifold Door sections

CAN BE ASSEMBLED
AS LEFT OR RIGHT
ENCLOSURE

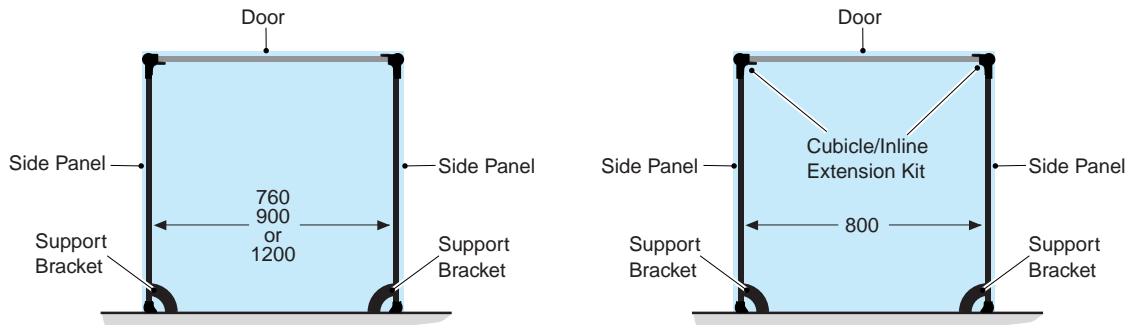


FOR USE WITH:
FRAMELESS PIVOT DOOR OR SINGLE SLIDER

3 SIDED CUBICLE APPLICATIONS

TRAY SIZE	ADJUSTMENT	REQUIREMENTS
760	736 - 776	2 x SIDE PANELS + 760 DOOR + BRACKET KIT
800	776 - 816	2 x SIDE PANELS + 2 x EXTENSION KITS + 760 DOOR + BRACKET KIT
900	876 - 916	2 x SIDE PANELS + 900 DOOR + BRACKET KIT
1200	1176 - 1216	2 x SIDE PANELS + 1200 SINGLE or TRIPLE SLIDER + BRACKET KIT

All nominal dimensions in millimetres

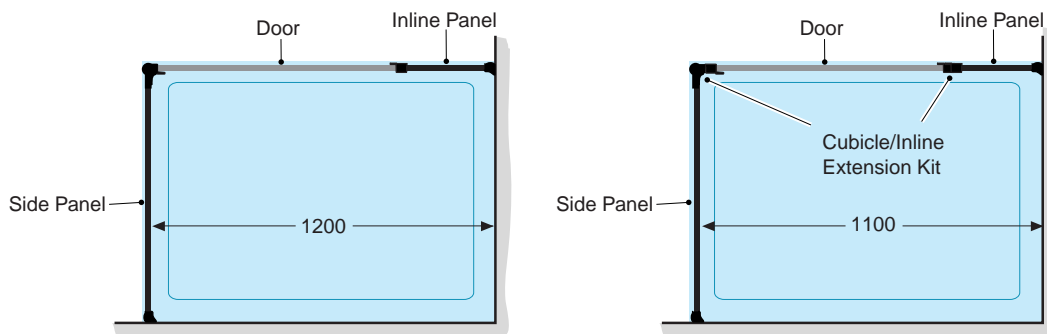


For Support Bracket details, see page 59

ADDITIONAL CUBICLE APPLICATIONS

TRAY SIZE	ADJUSTMENT	REQUIREMENTS
1100	1070 - 1110	SIDE PANEL + 760 DOOR + INLINE PANEL PACK + EXTENSION KIT
1200	1170 - 1210	SIDE PANEL + 900 DOOR + INLINE PANEL PACK

All nominal dimensions in millimetres



plumbworld
Big brands, small prices.

Pdf Supplied By <http://www.plumbworld.co.uk/>