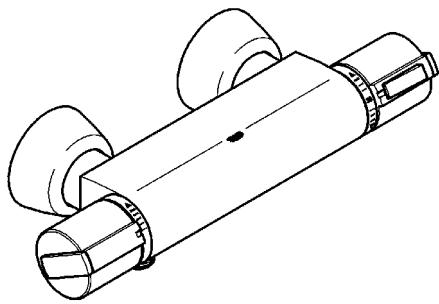
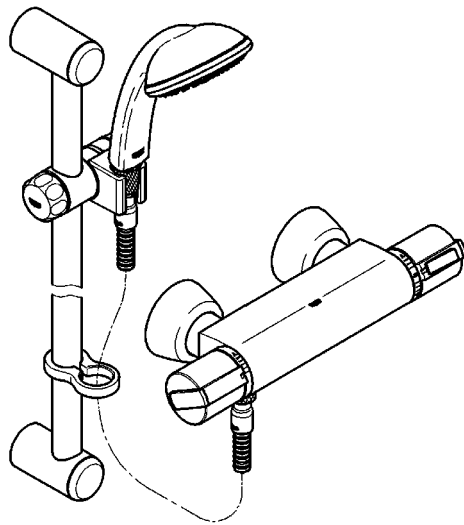


34 216



34 221



Grohtherm 2000

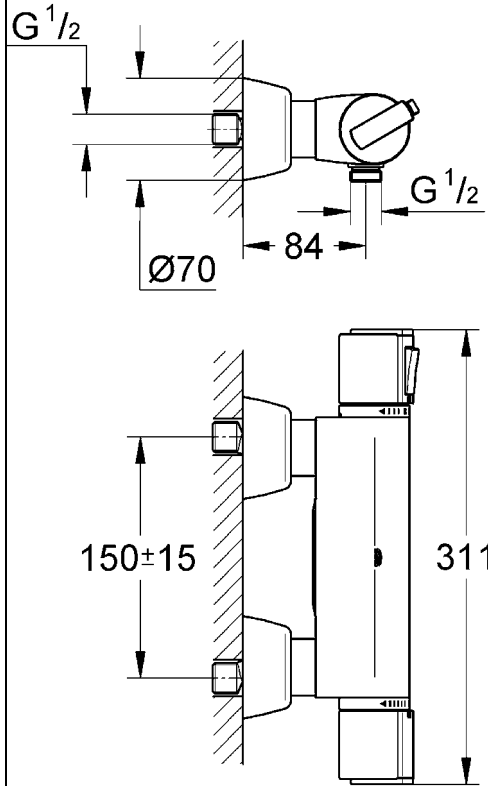
Grohtherm 2000

GB1

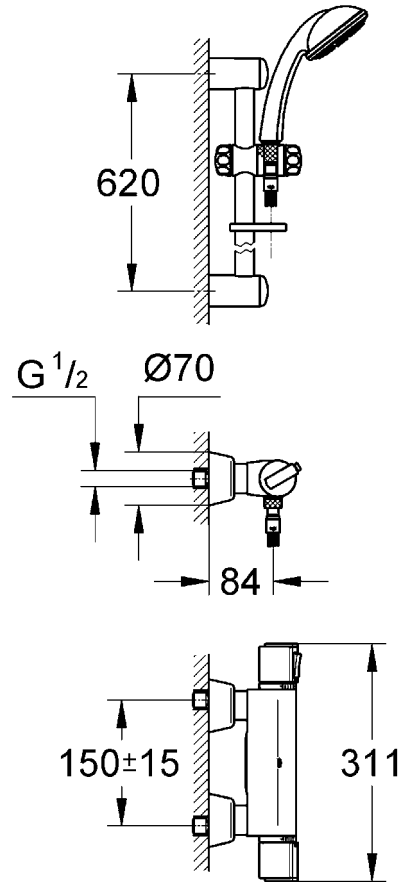
94.821.131/ÄM 205985/02.07

GROHE
ENJOY WATER®

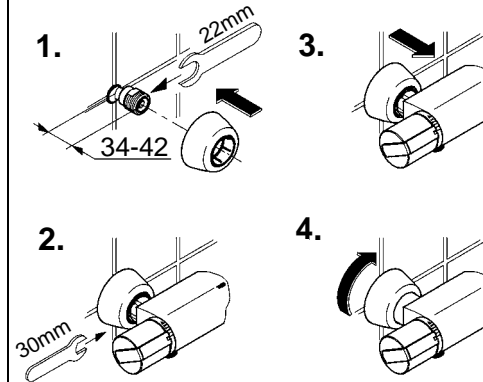
34 216



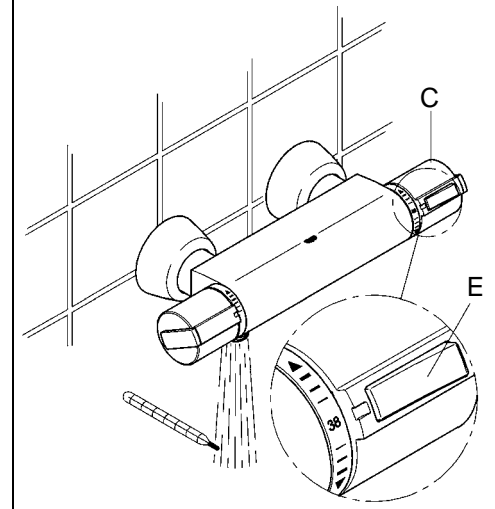
34 221



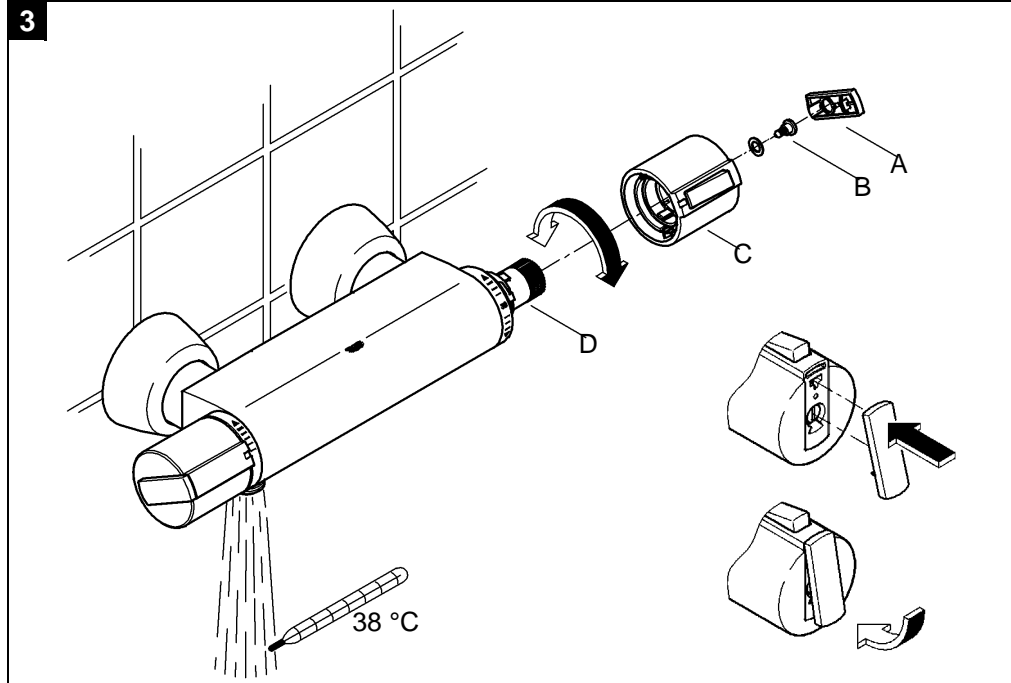
1



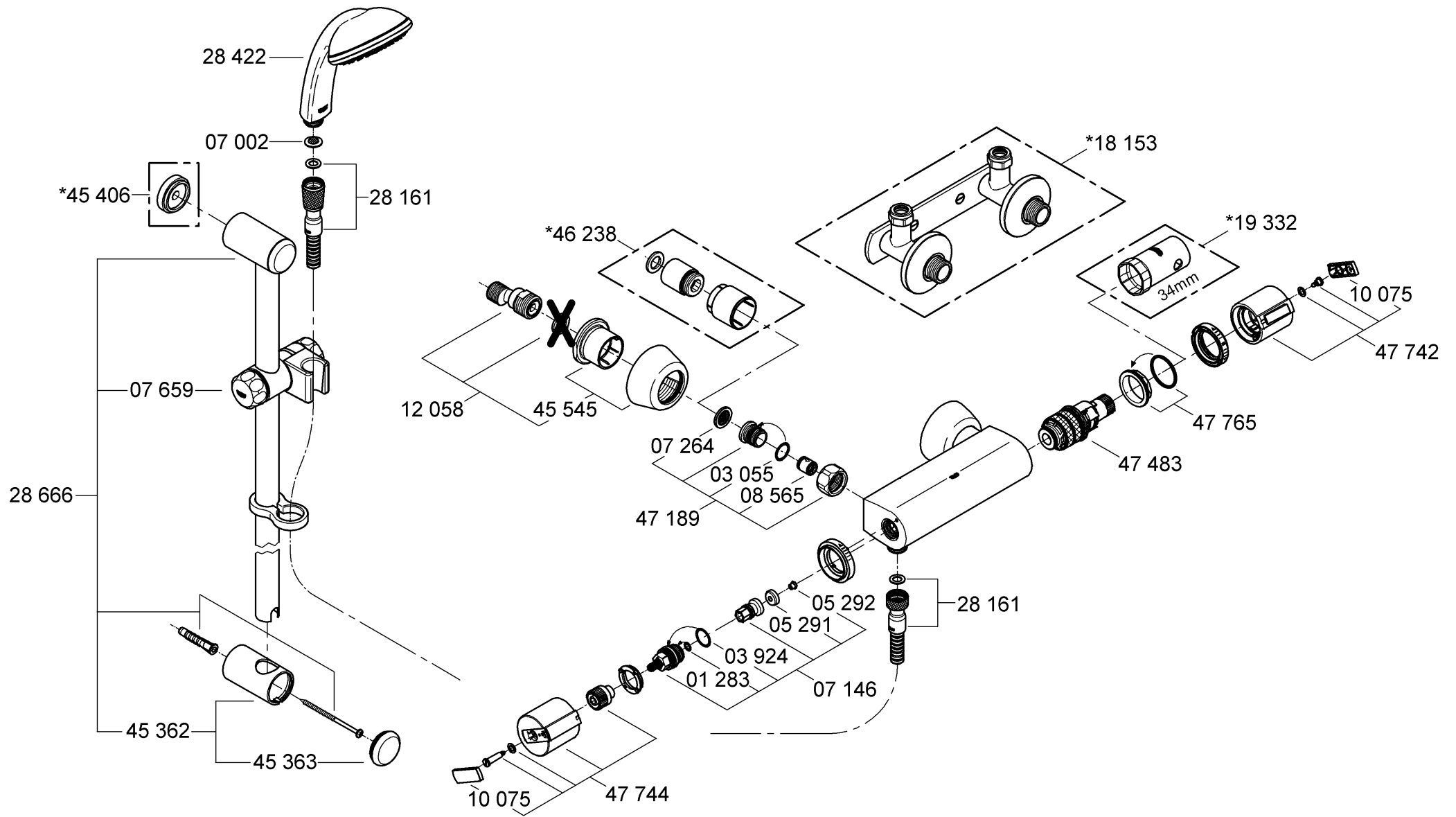
2



3



Please pass these instructions on to the end user of the fitting!





Application

Thermostat mixers are designed for hot water supply via pressurised storage heaters and, utilised in this way, provide the best temperature accuracy. With sufficient power output (from 18 kW or 250 kcal/min), electric or gas instantaneous heaters are also suitable.

Thermostats **cannot** be used in conjunction with non-pressurised storage heaters (displacement water heaters).

All thermostat mixers are factory set at 38 °C using a flow pressure of 3 bar on both, hot and cold supplies.

Important: On installation, each thermostat must be set to 38 °C using the site specific pressure for accurate temperature performance (see **Adjustment**).

Specifications

- Minimum flow pressure 0.1 bar
- Maximum operating pressure 5 bar
- Test pressure 16 bar
- Flow rate at 0.1 bar flow pressure: approx. 5,5 l/min
- Flow rate at 3 bar flow pressure: approx. 42 l/min
- Maximum difference between cold- and hot water supply pressure: 1: 5
- Maximum water temperature at hot water supply 80 °C
- Recommended maximum flow temperature (for energy saving) 60 °C
- Safety stop 38 °C
- Hot water temperature at supply connection min. 2 °C higher than mixed water temperature
- Cold water connection right
- Hot water connection left
- Minimum flow rate = 5 l/min

If static pressure exceeds 5 bar, a pressure reducing valve must be fitted.

Installation

Flush pipes thoroughly!

1. Install the S-unions and sleeve, preassembled with the escutcheon, see fold-out page I, Fig. [1].
2. Screw-mount the mixer and check connections for **leakage**.
3. Push the sleeve with escutcheon onto the union nut.
4. Screw the escutcheon flush against the wall.

Refer to the dimensional drawings on fold-out page I.

The projection can be increased by 30mm with an extension (see Replacement Parts, fold-out page II, Prod. no.: 46 238).

For better fixing into dry-lined walls a mounting frame can be used (see Replacement Parts, fold-out page II, Prod. no.: 18 153).

Check connections for leakage!

Adjustment

Temperature adjustment, see fold-out page I, Figs. [2] and [3].

1. Open the shut-off valve and check the temperature of the water with a thermometer, see Fig. [2].
2. Lever out cap (A), see Fig. [3].
3. Remove screw (B).
4. Detach temperature control handle (C).
5. Turn regulating nut (D) until the water temperature has reached 38 °C.
6. Install temperature control handle (C) so that button (E) points towards the front, see Fig. [2].
7. Screw in screw (B), see Fig. [3].
8. Refit cap (A).

Temperature limitation

The safety stop limits the temperature range to 38 °C. The 38 °C limit can be overridden by pressing the button (E), see Fig. [2].

Prevention of frost damage

When the domestic water system is drained, thermostat mixers must be drained separately, since non-return valves are installed in the hot and cold water connections. For this purpose, the mixer must be removed from the wall.

Maintenance

Inspect and clean all parts, replace if necessary and lubricate with special valve grease (Prod. no. 18 012).

Shut off the hot and cold water supply.

- I. **Non-return valve (F)**, see fold-out page III, Fig. [4].
 - Remove connection nipple (G) by turning clockwise (left-hand thread) using a 12mm allen key.

Install in reverse order.

- II. **Thermostatic compact cartridge (H)**, see fold-out page III, Fig. [5].

- Remove O-ring (J1).
- Loosen screw ring (J) using a 34mm tool.
- If necessary, lever out thermostatic compact cartridge (H) via recess (H1).
- Remove screw ring (J).

Install in reverse order.

Observe the correct installation position of the thermostatic compact cartridge (H) and scale ring (K), see details Fig. [5].

Readjustment is necessary after every maintenance operation on the thermostatic compact cartridge (see Adjusting).

- III. **Headpart (L)**, see fold-out page III, Fig. [6].

Install in reverse order.

Replacement Parts, see fold-out page II (* = special accessories).

Care

For directions on the care of this fitting, refer to the accompanying Care Instructions.

(D)
Grohe Deutschland
Vertriebs GmbH
Zur Porta 9
32457 Porta Westfalica
Tel.: +49 571 3989-333
Fax: +49 571 3989-999

(A)
GROHE Ges.m.b.H.
Beichlgasse 6
1100 Wien
Tel.: +32 16 23060-0
Fax: +32 16 23060-0

(B)
GROHE nv - sa
Diependaalweg 4a
3020 Winksele
Tel.: +32 16 230660
Fax: +32 16 239070

(BG)
Представителство
Grohe AG
в България
Ралф Шпиринг
Клон 11, П.К. 35
8011 Бургас
тел./факс.: +359 56 950104
тел./факс.: +359 56 845549

(CDN)
GROHE Canada Inc.
1226 Lakeshore Road East
Mississauga, Ontario
Canada, L5E 1E9
Tel.: +1 905 2712929
Fax: +1 905 2719494

(CH)
Grohe Switzerland SA
Hertistrasse 2
8304 Wallisellen
Tel.: +41 44 8777300
Fax: +41 44 8777320

(CN)
高仪 (上海)
卫生洁具有限公司
宁桥路615号
201206 上海
中华人民共和国
电话: +86 21 50323535
传真: +86 21 50550363

(CY)
Nicos Theodorou & Sons Ltd.
12 Dimitanis Street
CY-1507 Nicosia
P.O. Box 21387
Tel.: +357 22 757671
Fax: +357 22 759085

(CZ SK)
Grohe ČR s.r.o.
Zastoupení pro ČR a SR
V Oblouku 104, Čestlice
251 01 Prácheň

(DK)
GROHE A/S
Walgerholm 11
3500 Vaerløse
Tel.: +45 44 656800
Fax: +45 44 650252

(E)
GROHE España S.A.
C/ Botanica, 78 - 88
Gran Via L'H - Distr. Econòmic
08908 L'Hospitalet de Llobregat
(Barcelona)
Tel.: +34 93 3368850
Fax: +34 93 3368851

(EST LT LV)
ALPIGRO OÜ
Alar Pihlak
Jõe 5
10151 Tallinn
Tel.: +372 6261204
Fax: +372 6261204

(F)
GROHE s.à.r.l.
11, Rue des Peupliers
92441 Issy-les-
Moulineaux Cedex
Tel.: +33 1 46625000
Fax: +33 1 46626110

(FIN)
Oy Teknocalor Ab
Sinikellonkuja 4
01300 Vantaa
Tel.: +358 9 8254600
Fax: +358 9 826151

(GB)
GROHE Limited
Blays House, Wick Road
Englefield Green
Egham, Surrey, TW20 0HJ
Tel.: +44 871 200 3414
Fax: +44 871 200 3415

(GR)
Nikos Sapountzis S.A.
86, Kapodistriou & Roumelis Str.
142 35 N. Ionia - Athens
Tel.: +30 10 2712908
Fax: +30 10 2715608

(H)
GROHE Hungary Kft.
Liget u. 1.
2040 Budaörs
Tel.: +36 23 422 468
Fax: +36 23 422 469

(HR)
ENERTECH GmbH
Division Giersch
Maksimirska 96/II
10000 Zagreb
Tel.: +385 1 2338260
Fax: +385 1 2308024

(I)
GROHE S.p.A.
Via Castellazzo Nr. 9/B
20040 Cambiago (Milano)
Tel.: +39 2 959401
Fax: +39 2 95940263

(IND)
Grohe India Private Limited
The Great Eastern Centre
Gesco Corporate Centre
70 Nehru Place
New Dehli 110019
Tel.: +91 11 5561 9423 / 9513
Fax: +91 11 5561 9451

(IS)
BYKO hf.
Skemmuvegi 2
200 Kópavogur
Tel.: +354 515 4000
Fax: +354 515 4099

(J)
Grohe Japan Ltd.
TRC Building, 3F
1-1 Heiwajima 6-chome, Ota-ku
Tokyo 143-0006
Tel.: +81 3 32989730
Fax: +81 3 37673811

(N)
GROHE A/S
Karihaugveien 89
1086 Oslo
Tel.: +47 22 906110
Fax: +47 22 906120

(NL)
GROHE Nederland BV
Metaalstraat 2
2718 SW Zoetermeer
Tel.: +31 79 3680133
Fax: +31 79 3615129

(P)
GROHE Portugal
Componentes Sanitários, Lda.
Rua Arq. Cassiano Barbosa, 539
1.º Frente Esquerdo
4100-009 Porto
Tel.: +351 22 543 29 80
Fax: +351 22 543 29 99

(PL)
GROHE Polska Sp. z o.o.
Ul. Migdałowa 4
02-796 Warszawa
Tel.: +48 22 6451255 - 57
Fax: +48 22 6451258

(RUS)
Представительство
Grohe AG
Москва, ул. Пусаковская 13, стр. 1
1107140
тел.: +7 495 9819510
факс: +7 495 9819511

(RO)
S.C. EURO - International S.R.L.
B-dul Dinicu Golescu, Nr. 41, Bl.6,
Sc. 3; Ap. 67, Parter
010868 Bucharest (Sector 1)
Tel.: +40 21 3161451
Fax: +40 21 3161452

(S)
GROHE A/S
Box 2063
194 02 Upplands Väsby
Tel.: +46 771 141314
Fax: +46 771 141315

(SLO)
GROSAN inženiring d.o.o.
Slandrova 4
1000 Ljubljana
Tel.: +386 1 5633060
Fax: +386 1 5633061

(TR)
GROME İc ve Dis Ticaret Ltd. Sti.
Bagdat Cad. Ugras Parlar Is
Merkezi No: 305, B Blok D: 12 - 15
34846 Cevizli - Maltepe-Istanbul
Tel.: +90 216 4412370
Fax: +90 216 3706174

(UA)
Представитель
Grohe AG
в УКРАИНЕ
Н.И. Топольская
03151 Киев
тел.: +38 44 2751734
факс: +38 44 2499458

(USA)
GROHE America Inc.
241 Covington Drive
Bloomington
Illinois, 60108
Tel.: +1 630 5827711
Fax: +1 630 5827722

**Near and Middle East
Area Sales Office:**
GROME Marketing
(Cyprus) Ltd.
11, Lemesou Avenue
Galatariotis Building 1st floor
2112 Aglanjia
P.O. Box 27048
1641 Nicosia
Tel.: +357 22 465200
Fax: +357 22 379188

Far East Area Sales Office:
GROHE Pacific Pte. Ltd.
260 Orchard Road
08-03/04 The Heeren
Singapore 238855
Tel.: +65 6738 5585
Fax: +65 6738 0855

Grohe Water Technology AG & Co. KG
Postfach 13 61
58653 Hemer
Tel: 0 23 72 / 93-0, Fax: 0 23 72 / 93 12 22

GROHE
GROHE®

plumbworld
Big brands, small prices.

Pdf Supplied By <http://www.plumbworld.co.uk/>