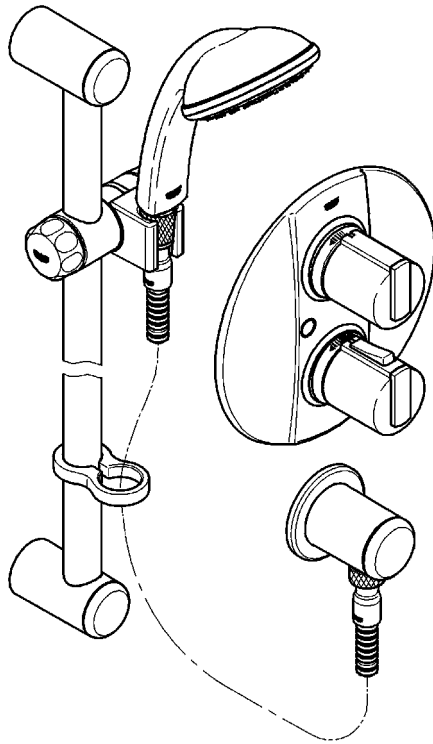
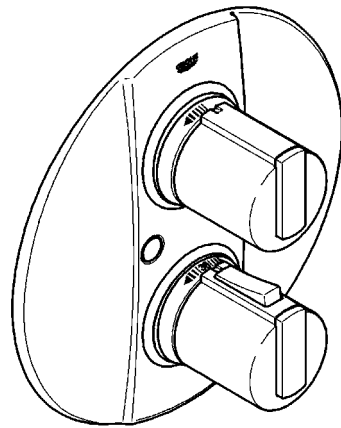


34 218



34 235



Grohtherm 2000

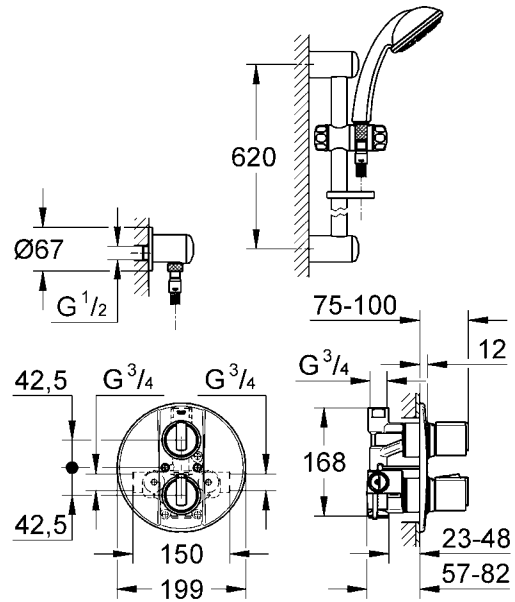
Grohtherm 2000

GB1

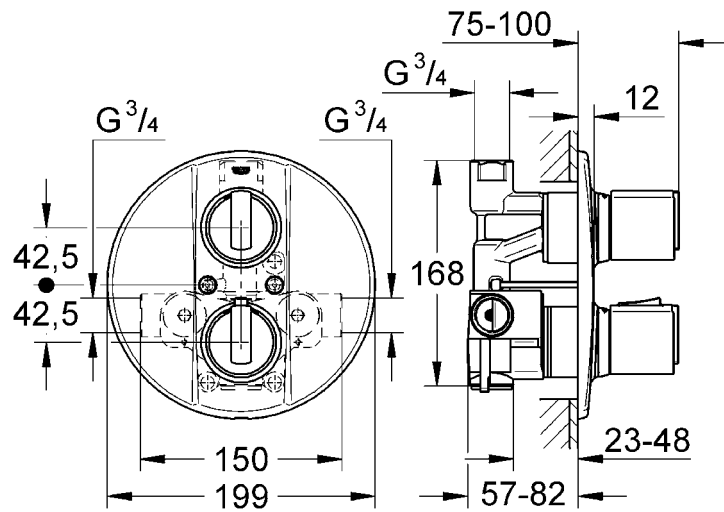
94.833.131/AM 205985/02.06

GROHE[®]
~~~~~

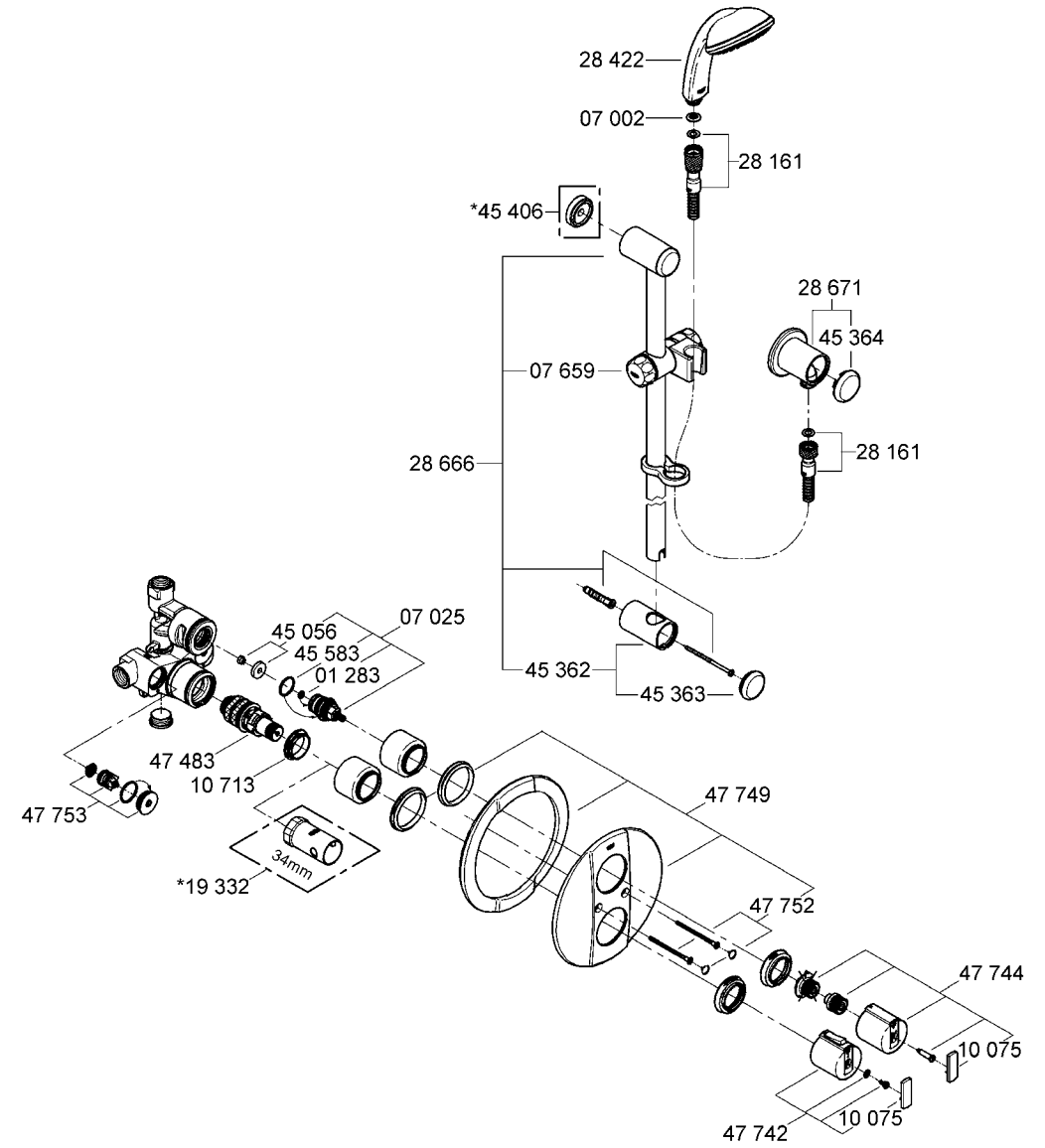
34 218

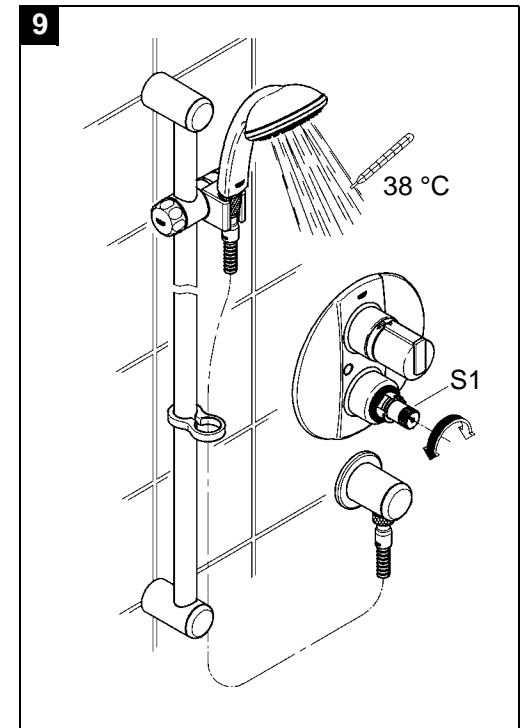
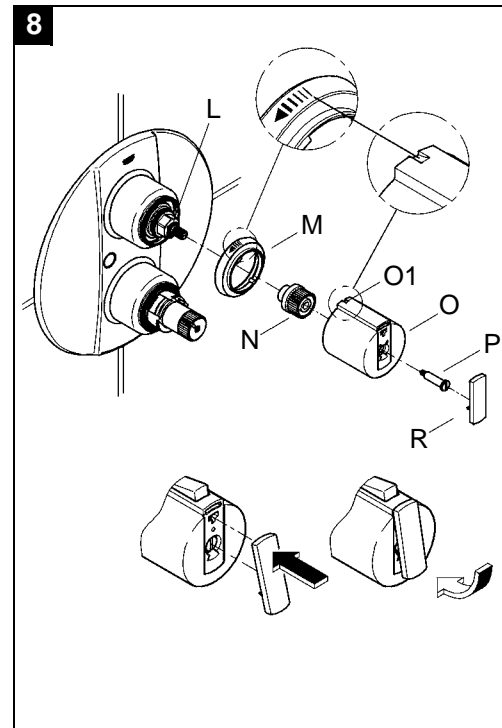
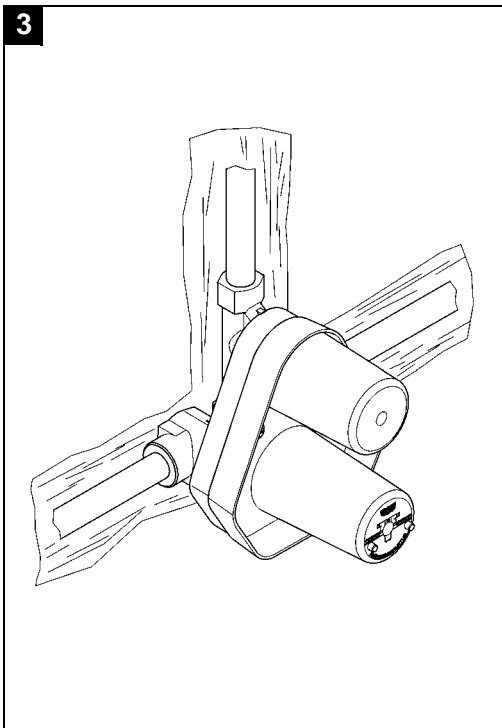
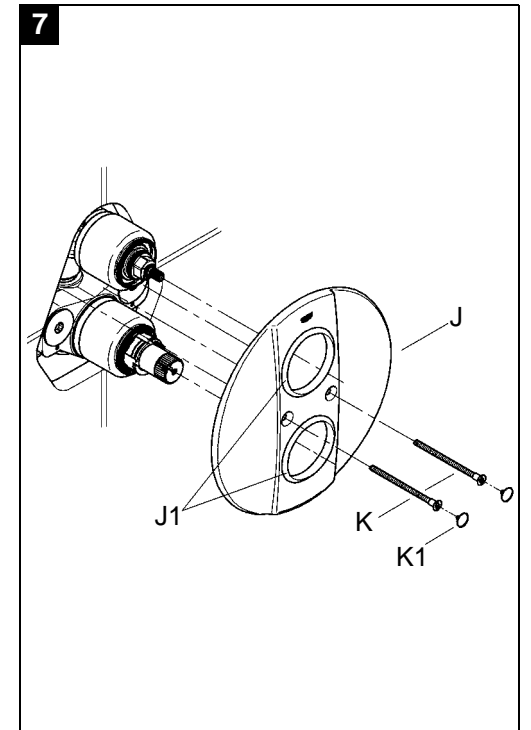
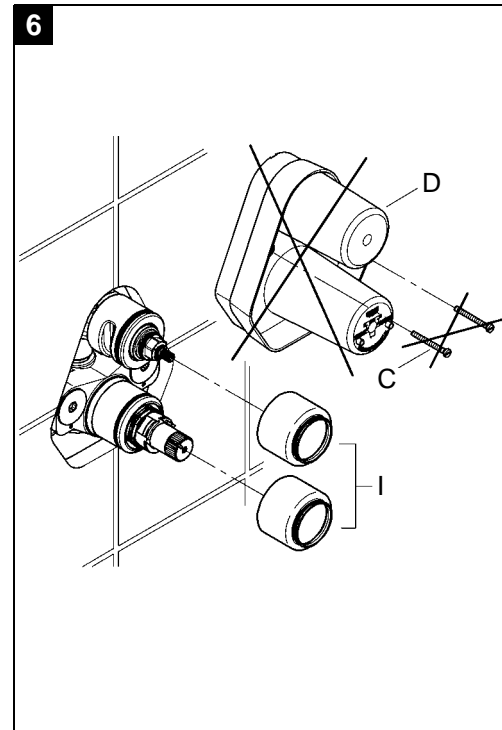
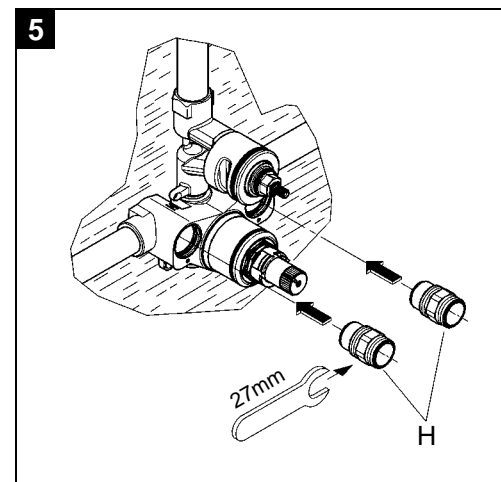
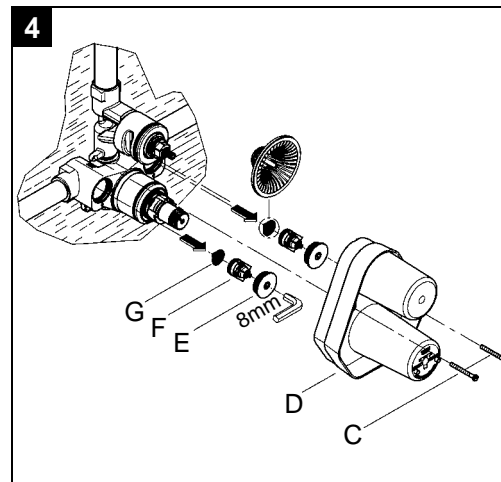
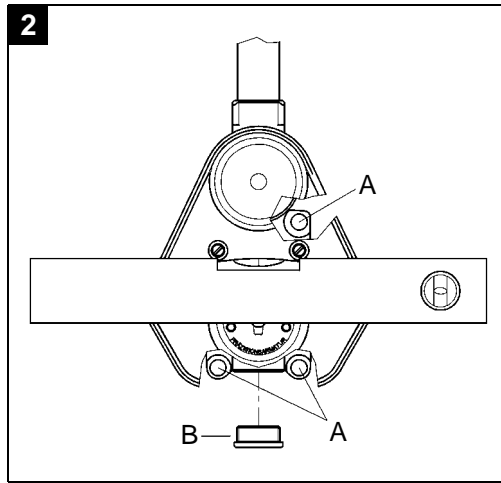
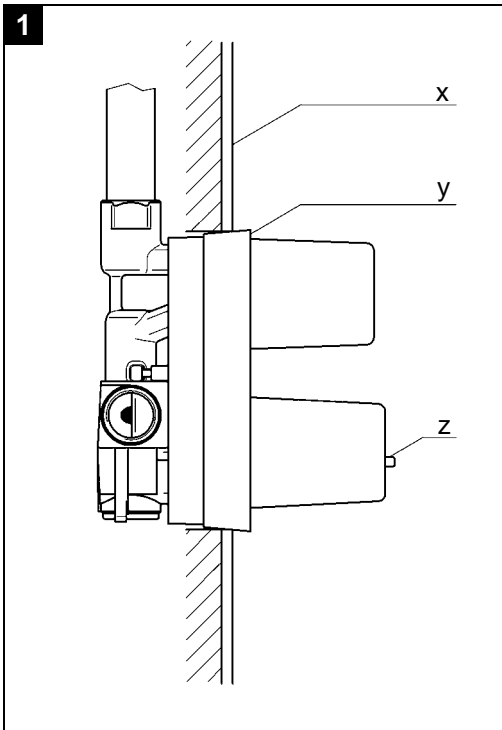


34 235



Please pass these instructions on to the end user of the fitting!







## Application

This thermostat mixers are designed to work with low and high pressure water systems, providing there is sufficient dynamic water pressure, flow and an appropriate temperature range.

Thermostat mixers **cannot** be used in conjunction with low-pressure storage heaters (displacement water heaters).

All thermostat mixers are factory set at 38 °C using a flow pressure of 3 bar on both, hot and cold supplies.

**Important:** On installation, each thermostat must be set to 38 °C using the site specific pressure for accurate temperature performance (see **Adjustment**).

The integral flow valve located at the top of the valve is set to operate the flow to the upper outlet only. Should the bottom outlet be required for further outlets, an additional stop valve, 3/4" (Prod. no.: 29 802) must be used.

## Technical Data

|                                                                                             |                  |
|---------------------------------------------------------------------------------------------|------------------|
| • Minimum flow pressure                                                                     | 0.1 bar          |
| • Maximum recommended operating pressure                                                    | 5 bar            |
| • Test pressure                                                                             | 16 bar           |
| • Flow rate at 0.1 bar flow pressure:                                                       | approx. 6 l/min  |
| • Flow rate at 3 bar flow pressure:                                                         | approx. 50 l/min |
| • Maximum difference between cold- and hot water supply pressure:                           | 1: 5             |
| • Maximum water temperature at hot water inlet                                              | 80 °C            |
| • Recommended maximum flow temperature (for energy saving)                                  | 60 °C            |
| • Safety stop                                                                               | 38 °C            |
| • Hot water temperature at supply connection min. 2 °C higher than mixed water temperature. |                  |
| • Cold water connection - C -                                                               | right            |
| • Hot water connection - H -                                                                | left             |
| • Minimum flow rate                                                                         | 5 l/min          |

If static pressure exceeds 5 bar, a pressure reducing valve must be fitted.

## Final installation

- Prepare wall ready for mixer, refer to the dimensional drawings on fold-out page I.  
Drill holes for thermostat mixer and chase-out grooves for pipelines.
- Observe the installation depth in accordance with the instructions given on the mounting template, see also fold-out page II, Fig. [1].  
x = Face of tiles  
y = Front face of mounting template  
z = Resting point for spirit level
- Align the mixer horizontally, vertically and parallel to the wall, see Fig. [2] (place a spirit level on the cams or face of the mounting template).
- Install concealed thermostat mixer module in wall and connect pipelines, see Fig. [3]. The housing is provided with pre-drilled holes (A) to facilitate mounting the fitting to the wall, see Fig. [2].
- **Do not solder the connections between the pipelines and housing**, otherwise the built-in non-return valves may be damaged.
- Seal the open outlet with screw plug (B).

## Important!

- **The cold water supply must be connected on the right** (marked K (C) on housing) **and the hot water supply on the left** (marked W (H) on housing), **as viewed from the operating position.**

## Open cold- and hot water supplies.

**Test the pipelines and concealed thermostat module connections for leaks.**

## Flush pipelines thoroughly

1. Loosen screws (C) and detach mounting template (D), see Fig. [4].
2. Close the hot and cold water supplies!
3. Remove screw plug (E).
4. Remove non-return valve (F) and filter (G).
5. Install flushing plugs (H) in non-return valve seat recesses, see Fig. [5].
6. Open the hot and cold water supplies and flush pipes thoroughly.
7. Close the hot and cold water supplies and remove flushing plugs (H).
8. Install filter (G) and non-return valve (F), see Fig. [4].
9. Install screw plug (E).
10. Reinstall mounting template (D).

Plaster and tile the wall, excluding the area occupied by the mounting template. Seal any apertures in the wall so that they are watertight to spray water.

- Tiles laid in mortar should be pointed so that the joint is tapered towards the outside.
- Seal prefabricated walls with a permanently plastic compound.

Do **not** remove the fitting template before final installation.

### Final installation

1. Remove screws (C) and mounting template (D), see Fig. [6].
2. Install sleeves (I).
3. Grease the seals (J1) with the special grease supplied and install escutcheon (J) with screws (K), see Fig. [7].
4. Cover screws (K) with caps (K1)

### Open cold and hot water supplies.

---

### Installation of the flow control knob, see Figs. [8]

1. Close the ceramic headpart (L) by turning clockwise.
  2. Fit scale ring (M).
  3. Fit splined adapter (N).
  4. Install flow control knob (O) so that the mark (O1) is on top.
  5. Reinstall screw (P).
  6. Push on cap (R).
- 

### Adjustment

#### Installation of the thermostat knob and temperature adjustment, see Figs. [9] and fold-out page III, Fig. [10].

- Before the mixer is put into service if the mixed water temperature measured at the point of discharge varies from the specified temperature set on the thermostat.
  - After any maintenance operation on the thermoelement.
1. Open the shut-off valve and check the temperature of the water with a thermometer, see Fig. [9].
  2. Turn the adjusting nut (S1) clockwise or anticlockwise until the water temperature reaches 38 °C.
  3. Fit scale ring (T), see fold-out page III, Fig. [10].
  4. Install temperature control handle (U) so that the button (U1) is on top.
  5. Reinstall screw (V).
  6. Push on cap (W).
- 

### Temperature limitation

The safety stop limits the temperature range to 38 °C. If a higher temperature is desired, the 38 °C limit can be overridden by depressing the button (U1), see Fig. [10].

### Prevention of frost damage

When the domestic water system is drained, thermostat mixers must be drained separately, since non-return valves are installed in the hot and cold water connections. The complete thermostat assemblies and non-return valves must be unscrewed and removed.

---

### Maintenance

Inspect and clean all parts, replace if necessary and grease with special valve grease (ref. No. 18 012).

### Shut off cold and hot water supplies.

#### I. Thermostatic compact cartridge (S), see fold-out page III, Fig. [11] and [12].

- Loosen screw ring (X) using a 34mm tool, see Fig. [12].
- If necessary, lever out thermostatic compact cartridge (S) via recess (S1).
- Remove screw ring (X).

Install in reverse order.

#### Observe the correct installation position of the thermostatic compact cartridge (S), see detail (S2).

Readjustment is necessary after every maintenance operation on the thermostatic compact cartridge (see Adjusting).

#### II. Non-return valve (F) and filter (G), see fold-out page III, Fig. [11] and [13].

Reassemble in reverse order.

#### III. Headpart (L), see fold-out page III, Fig. [11] and [13].

Reassemble in reverse order.

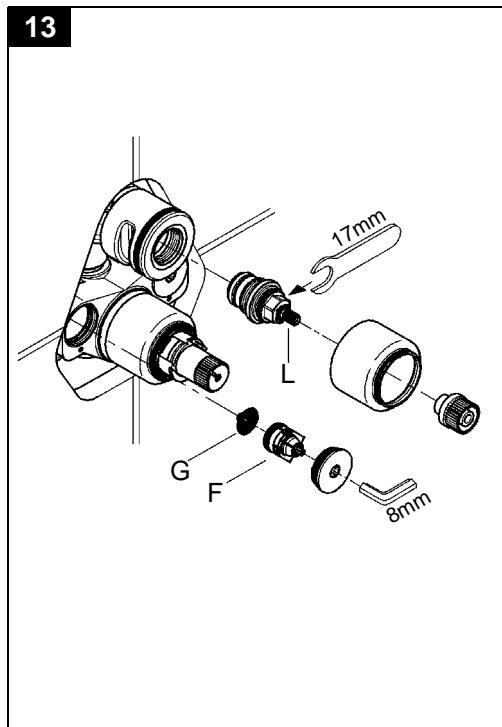
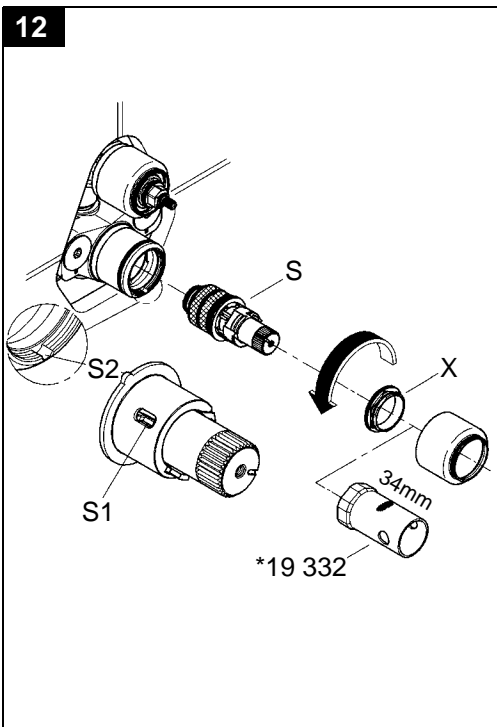
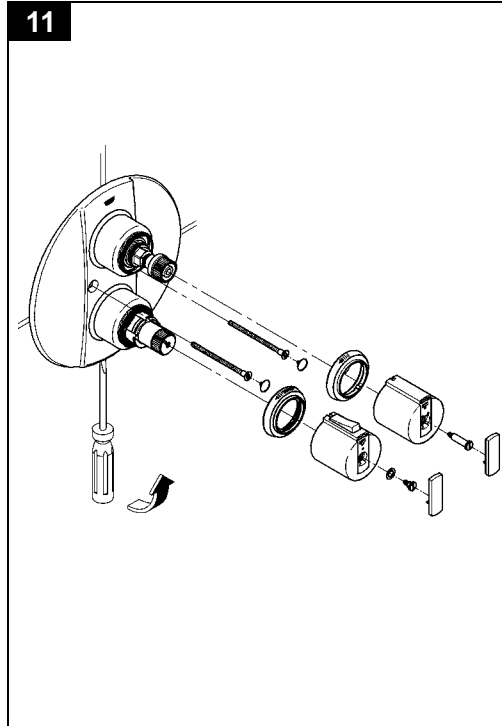
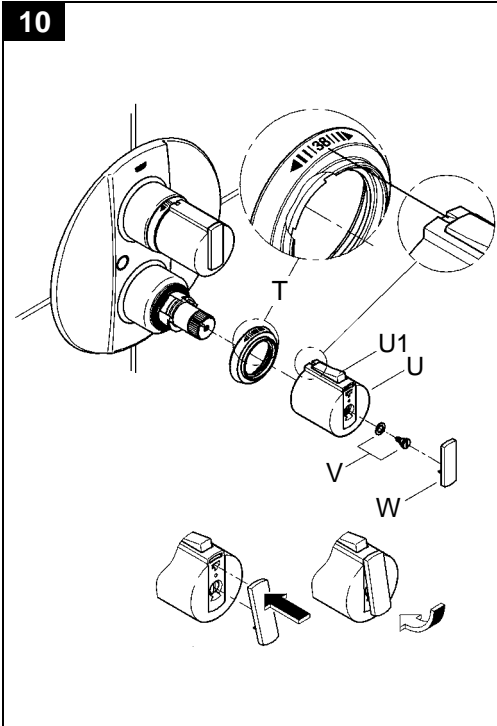
### Observe the correct mounting positions!

**Replacement parts**, see fold-out page I ( \* = special accessories).

---

### Care

For directions on the care of this fitting refer to the accompanying Care Instructions.





**(D)**

Grohe Deutschland  
Vertriebs GmbH  
Zur Porta 9  
D-32457 Porta Westfalica  
Tel.: 0 180 2 / 66 00 00  
Fax: 0 180 2 / 66 11 11

**(A)**

GROHE Ges.m.b.H.  
Beichlgasse 6  
A-1100 Wien  
Tel.: 01 / 68060-0  
Fax: 01 / 689 8747

**(B)**

GROHE N.V. - S.A.  
Diependaalweg 4a  
B-3020 Winksele  
Tel.: 0 16 / 23 06 60  
Fax: 0 16 / 23 90 70

**(BG)**

Представителство  
Grohe Water Technology  
AG & Co. KG  
в България  
Ралф Шпиринг  
Клон 11, П.К. 35  
BG-8011 Бургас  
тел./факс.: 056 / 841585

**(CDN)**

GROHE Canada Inc.  
1226 Lakeshore Road East  
Mississauga, Ontario  
Canada, L5E 1E9  
Tel.: 905 / 271 2929  
Fax: 905 / 271 9494

**(CH)**

Grohe Switzerland SA  
Zweigniederlassung Wallisellen  
Hertistr. 2  
CH-8304 Wallisellen  
Tel.: 044 / 877 7300  
Fax: 044 / 877 7320

**(CY)**

Nicos Theodorou & Sons Ltd.  
12 Dimitris Str.  
P.O. Box 21387  
CY-1507 Nicosia  
Tel.: 22 / 75 76 71  
Fax: 22 / 75 90 85

**(CZ SK)**

Zastoupení  
Grohe Water Technology  
AG & Co. KG  
pro ČR a SR  
Veronika Menšíková  
Uřňovská 100/1  
ČR-190 00 Praha 9  
Tel./Fax: 02 / 66106462  
Tel./Fax: 02 / 66106562

**(DK)**

GROHE A/S  
Walgerholm 11  
DK-3500 Vaerloese  
Tel.: 0045 / 44 65 68 00  
Fax: 0045 / 44 65 02 52

**(E)**

GROHE España S.A.  
C/ Botanica, 78 - 88  
Gran Via L'H - Distr. Econòmic  
E-08908 L'Hospitalet de  
Llobregat (Barcelona)  
Tel.: 93 / 3 36 88 50  
Fax: 93 / 3 36 88 51

**(EST LT LV)**

ALPIGRO OÜ  
Alar Pihlak  
Jõe 5  
EST-10151 Tallinn  
Tel.: 00372 / 6261204  
Fax: 00372 / 6261204

**(F)**

GROHE S.à.r.l.  
11, Rue des Peupliers  
F-92130 Issy-les-  
Moulineaux  
Tel.: 01 / 46 62 50 00  
Fax: 01 / 46 62 61 10

**(FIN)**

Oy Teknocalor Ab  
Sinikellonkuja 4  
FIN-01300 Vantaa  
Tel.: 00358 / (0)9-825 4600  
Fax: 00358 / (0)9-826 151

**(GB)**

GROHE Limited  
1, River Road  
GB-Barking,  
Essex, IG11 0HD  
Tel.: 0208 / 5 94 72 92  
Fax: 0208 / 5 94 88 98

**(GR)**

Nikos Sapountzis S.A.  
86, Kapodistriou & Roumelis Str.  
GR-142 35 N. Ionia - Athens  
Tel.: 010 / 2 71 29 08  
Fax: 010 / 2 71 56 08

**(H)**

GROHE Hungary Kft.  
Kereskedelmi Képviselet  
H-2040 Budaörs, Liget u. 1.  
Tel.: 23 / 422-468  
Fax: 23 / 422-469

**(HR)**

Giersch GmbH  
Damir Pavelić  
Maksimirska ul. 98/A  
HR-10000 Zagreb  
Tel.: 01 / 2331 442  
Fax: 01 / 2331 966

**(I)**

GROHE S.p.A.  
Via Castellazzo Nr. 9/B  
I-20040 Cambiago (Milano)  
Tel.: 02 / 959401  
Fax: 02 / 95940263

**(IS)**

BYKO hf.  
Skemmuvegi 2  
IS-200 Kópavogur  
Tel.: 00354 / 515 4000  
Fax: 00354 / 515 4099

**(J)**

Grohe Japan Ltd.  
TRC Building, 3F  
1-1 Heiwajima 6-chome,  
Ota-ku  
Tokyo 143-0006  
Tel.: 03 / 32 98-97 30  
Fax: 03 / 37 67 38 11

**(N)**

GROHE A/S  
Karihaugveien 89  
N-1086 Oslo  
Tel.: 0047 / 22 90 61 10  
Fax: 0047 / 22 90 61 20

**(NL)**

GROHE Nederland B.V.  
Metaalstraat 2  
NL-2718SW Zoetermeer  
Tel.: 0793 / 68 01 33  
Fax: 0793 / 61 51 29

**(P)**

GROHE Portugal  
Componentes Sanitários, Lda.  
Rua Arq. Cassiano Barbosa, 539  
1.º Frente Esquerdo  
P-4100-009 Porto  
Tel.: 00351 / 225 432 980  
Fax: 00351 / 225 432 999

**(PL)**

GROHE Polska Sp. Z.O.O.  
ul. Migdalowa 4  
PL - 02-796 Warszawa  
Tel.: 022 / 645 12 55 - 57  
Fax: 022 / 645 12 58

**(RUS)**

Представительство  
Grohe Water Technology  
AG & Co. KG  
в России  
ул. Щипок, 11/28, стр. 1  
113054 Москва  
тел.: 095 / 9374901  
факс: 095 / 9374902

**(RO)**

EU RO - International S.R.L.  
H.-G. Zuhre  
B-dul Dimitrie Pompei, nr. 8,  
Sector 2  
RO-72326 Bukarest  
Tel.: +40 (0) 21 212 74 03  
Fax: +40 (0) 21 212 67 10

**(S)**

GROHE A/S  
Box 2063  
SE-194 02 Upplands Väsby  
Tel.: 0046 / (0)771-14 13 14  
Fax: 0046 / (0)771-14 13 15

**(SLO)**

GROSAN inženiring d.o.o.  
Slandrova 4  
SLO-1000 Ljubljana  
Tel.: +386 (0) 1 563 3060  
Fax: +386 (0) 1 563 3061

**(TR)**

GROME İc Ve Dis Ticaret Ltd. Sti.  
Ugras Parlar Is Merkezi  
Bagdat Cad. No. 303  
B Blok D: 12 - 15  
TR-81540 Cevizli - Kartal  
Istanbul  
Tel.: 0216 / 4 41 23 70  
Fax: 0216 / 3 70 61 74

**(UA)**

Представитель  
Friedrich Grohe  
AG & Co. KG  
в УКРАИНЕ  
Н.И. Топольская  
03151 Киев  
тел.: +38 (0) 44 2 75 17 34  
факс: +38 (0) 44 2 49 94 58

**(USA)**

GROHE America Inc.  
241 Covington Drive  
Bloomingdale  
Illinois, 60108  
Tel.: 630 / 582 7711  
Fax: 630 / 582 7722

**Near and Middle East****Area Sales Office:**

GROHE Marketing  
(Cyprus) Ltd.  
11, Lemesou Avenue  
Galatariotis Building  
CY-2112 Aglanjia  
P.O. Box 27048  
CY-1641 Nicosia  
Tel.: +357 / 22 / 46 52 00  
Fax: +357 / 22 / 37 91 88

**Far East Area Sales Office:**

GROHE Pacific Pte. Ltd.  
260 Orchard Road  
# 08-03/04 The Heeren  
Singapore 238855  
Tel.: 00 65 6 / 7 38 55 85  
Fax: 00 65 6 / 7 38 08 55

**Grohe Water Technology AG & Co. KG**  
Postfach 13 61  
58653 Hemer  
Tel: 0 23 72 / 93-0, Fax: 0 23 72 / 93 12 22

**GROHE®**



**plumbworld**  
**Big brands, small prices.**

Pdf Supplied By <http://www.plumbworld.co.uk/>