

Dehumidifier

Instruction Manual



Model no. Q 10 / Q 10M
Q12 / Q12M

☆ Read and retain these instructions for future reference

Contents

Please take time to read this manual carefully before use and save it for future reference.

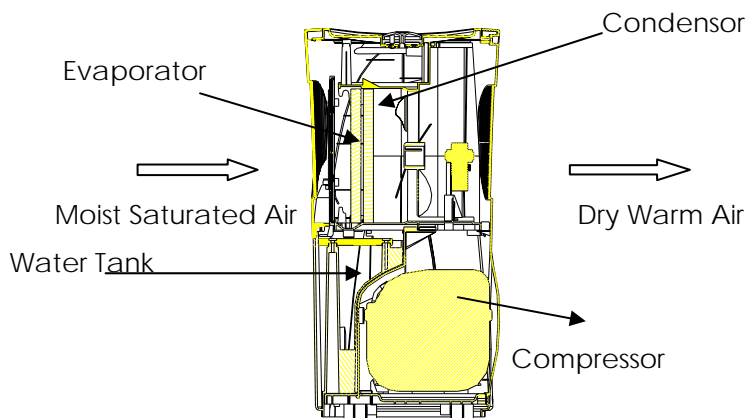
	Page
Specification _____	2
How it works _____	3
Where to position _____	3
Before use _____	4
Parts _____	5
Operation _____	6
Drainage _____	7, 8
Maintenance _____	9
Trouble shooting _____	10

Specification

Model no.	Q 10	Q10M	Q12	Q 12M
Power supply	230-240V~, 50Hz			
Test condition	DB 30°C, RH 80%			
Dehumidification capacity	10 L/day		12 L/day	
Power /Ampere consumption *	260 W/ 1.32A		230W/ 1.29A	
Air volume (max.)	70m ³ /h			
Compressor	Reciprocating			
Refrigerant	R134a			
Working range	5 ~ 35°C			
Water tank	3.6 L			
Size (WxDxH)	342 x 245 x 492 mm			
N.W.	11 kg	11.5 kg	11.5 kg	11.5 kg

- The data marked with * may vary for technical reasons. For greater precision, please refer to the rating label placed on the product.

How it works



This product is a dehumidifier. It controls relative humidity by passing the air through the unit, forcing the excess moisture to condensate over the cooling elements. Contact with this cold surface causes the moisture in the air to condense. This condensed water then drains safely into the water tank. The dried air then passes through the condensator where it is slightly warmed and re-enters the room at a slightly elevated temperature.

Where to position

Excess moisture will travel throughout your home, in the same way that cooking smells waft to every room in the house. For this reason, the dehumidifier should be positioned, so that it can draw this moist air towards it from all over the home. Alternatively, if you have a serious problem in one area you can begin by positioning the dehumidifier close to this area and later moving it

When positioning the dehumidifier, ensure that it is placed on a level surface and that there is a minimum of 10 cm (4") of space on either side of the unit to allow for efficient airflow. This dehumidifier is fitted with castors for extra mobility, if you move the unit, it should first be switched off and the water tank emptied.

We do not recommend the use of an extension lead, so please try to ensure that the unit is sufficiently close to a fixed mains socket. If it is necessary to use an extension lead, please ensure the diameter of the wires of the cable is at least 1 mm². When the dehumidifier is in operation, outside doors and windows should be closed when necessary for most efficient use .

to a more central point.

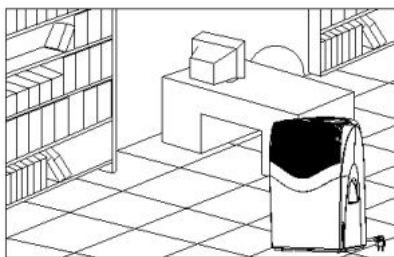
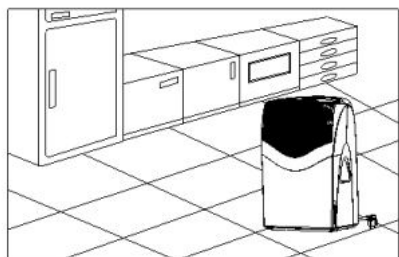
Before use

Caution!

- Always keep the unit in vertical position.
- Leave the unit to stand for one hour before connecting to the mains supply after transport or when it has been tilted (e.g. during cleaning).
- Keep all foreign objects away from the air intake or output openings.
- The mains supply must conform to the specification shown on the rating plate at the back of the unit.
- If the supply cord is damaged, it must be replaced by an approved service representative or a similar qualified person in order to avoid a hazard.
- Never use the plug to start and stop the unit. Always use switch on the control panel.
- Before moving the unit, first switch off, then unplug and empty the water tank.
- Don't use bug sprays or other flammable cleaners on the unit.
- Never pour or spray water over the unit.
- THIS APPLIANCE IS NOT INTENDED FOR USE BY PERSONS (INCLUDING CHILDREN) WITH REDUCED PHYSICAL , SENSORY OR MENTAL CAPABILITIES, OR LACK OF EXPERIENCE AND KNOWLEDGE , UNLESS THEY HAVE BEEN GIVEN SUPERVISION OR INSTRUCTION CONCERNING USE OF THE APPLIANCE BY A PERSON RESPONSIBLE FOR THEIR SAFETY. CHILDREN SHOULD BE SUPERVISED TO ENSURE THAT THEY DO NOT PLAY WITH APPLIANCE.

IMPORTANT!

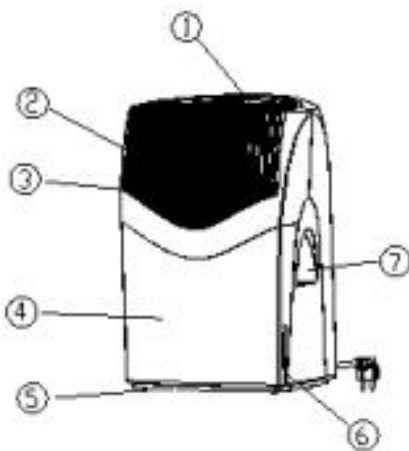
Do not use this unit at ambient temperatures below 5°C, to prevent the possibility of a heavily ice up evaporating coil.



Parts

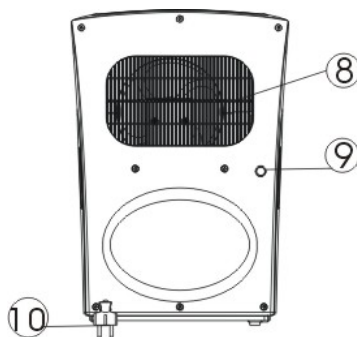
Front

1. Control panel
2. Air inlet
3. Filter (inside the unit)
4. Water tank
5. Caster
6. Handle for water tank
7. Handle for the unit



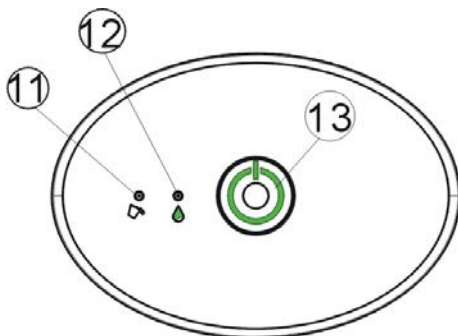
Rear

8. Air outlet
9. Drain hole for continuous drainage
10. Power cable



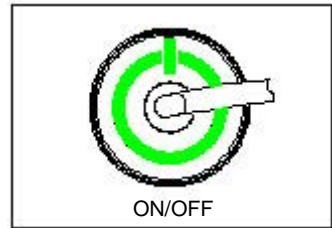
Control panel

11. Water Full Indicator
12. Operation Indicator
13. On/Off Button * For model# Q 10M, this button will be humidistat (humidity controller) instead.

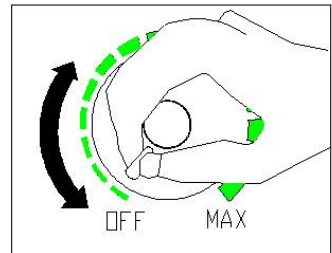


Operation

1. Plug the unit into a correct mains socket. (Please refer to the rating label at the rear of the unit for correct voltage/frequency.)
2. Press ON/OFF button to turn on the unit. The compressor will start to work in continuous mode.



3. If the model you bought is with humidistat (humidity controller), then please set the humidistat (humidity controller) to required humidity level (the intensity of humidity extraction is increased clockwise) For continuous working, set the humidistat to position 'MAX'.



4. To turn off the unit, press ON/OFF button again. (For model# Q 10M, please turn the humidistat to OFF position.)

Drainage

While the water tank is full, the compressor will stop for self-protection and the water full indicator will turn into red.

To move the water tank, pull it out squarely from the unit by using the handle at the water tank.

After emptying the water tank, place the water tank into space. Make sure it is properly positioned, in order for the 'water full' sign to go out and your dehumidifier is operating.

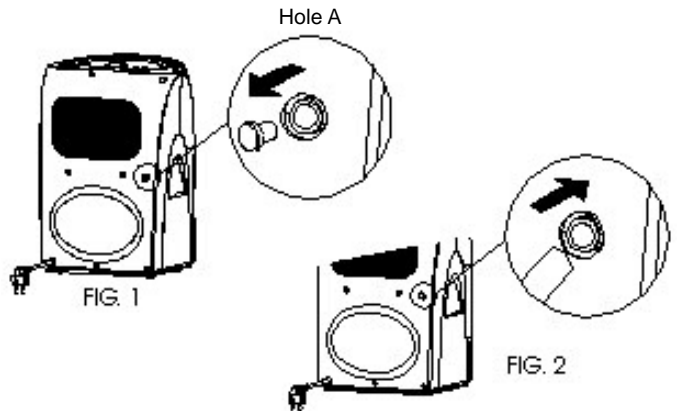
Please note, in case, the water tank has not been positioned well, the water full indicator will turn into red.

Continuous drainage

When the dehumidifier is operated at very high humidity levels, the water tank will require more frequent drainage. In this situation, it may be more convenient to set the unit up for continuous drainage with the following procedures:

1. Pull out the stopper from the drain hole A at the rear of the machine (see FIG. 1) and connect the drain hole A with a water tube of inner diameter 12 mm. (FIG.2)

* Please note, the water tube is not supplied with the unit.



2. Pull out the water tank.
Use the stopper taken from Hole A to stick into drain Hole B (FIG. 3).

3. Ensure the water will always drain away freely and the tube will remain in right place. *Note! In very cold weather conditions, precautions should be taken to prevent the water tube from freezing.*

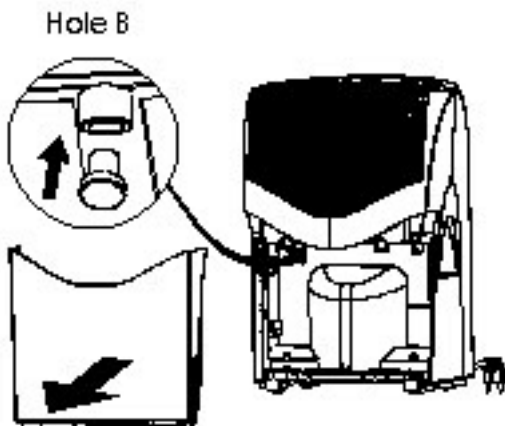


FIG. 3

4. Put the water tank back to its position (FIG. 4).

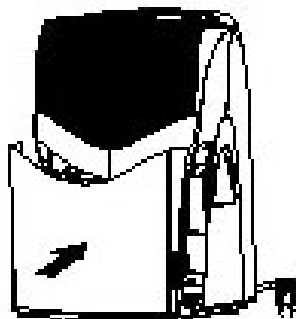


FIG. 4

Maintenance

Always unplug the unit from the mains before carrying out any maintenance or cleaning of the unit.

CLEANING THE BODY

Use soft cloth to wipe the unit clean.

Don't ever use volatile chemicals, gasoline, detergents, chemically treated clothes, or other cleansing solutions. These all could possibly hurt the cabinet.

CLEANING THE AIR FILTER (Anti-Dust Filter)

- Remove the water tank & extract the filter holder.



- Use a vacuum cleaner or tap the filter lightly for easy cleaning. If the filter is particularly dirty, use warm water with a small amount of medium strength.



- Make sure the filter is completely dry before replacing.
- Do not expose the filter to sunlight.

STORAGE

If not use the unit for an extended period of time. Please:

- Turing the unit off, unplug and tidy AC cord.
- Completely empty the water tank and wipe it clean.
- Cover the unit and store where it will not receive direct sunlight.

Trouble shooting

THE UNIT DOES NOT OPERATE:

- Is the unit plugged in?
- Is the house electricity on?
- Is the room temperature below 5°C or above 35°C? If so, then it is out of the working range of the unit.
- Ensure the ON/OFF switch is turned on.
- Check the water tank is positioned properly in the unit and it is not full.
- Make sure the air inlet and outlet are not obstructed.

THE UNIT SEEMS TO DO NOTHING:

- Is the filter dusty, contaminated ?
- Is the air intake or outlet blocked up?
- Is the room humidity already quite low?

THE UNIT SEEMS TO DO LITTLE:

- Are too many windows or doors open?
- Is there something in the room producing lots of humidity?

THE UNIT IS TOO NOISY:

- Check whether the unit is sitting on a level surface.

THE UNIT IS LEAKING:

- Make sure the unit is in good shape.
- If you are not using continuous drainage, make sure the rubber plug (at the bottom of the unit) is in its position,

plumbworld
Big brands, small prices.

Pdf Supplied By <http://www.plumbworld.co.uk/>