

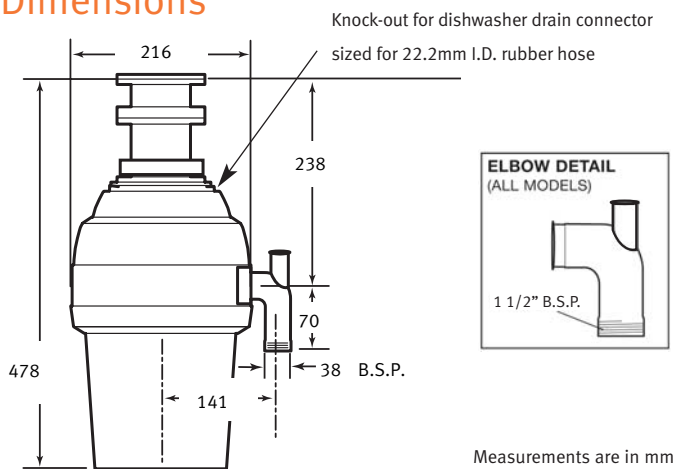
Franke Turbo WD-1001B Batch Feed

Specification Sheet



- Batch feed operation
- High-speed 2800 R.P.M. permanent magnet motor produces more power per Kilo
- Stainless steel rust free grinding components
- Professional 3-bolt mount system
- Sound insulated for quiet operation
- Easy to install
- Batch feed
- Nationwide servicing
- 10 year warranty

Dimensions



Measurements are in mm

10 Year Warranty

The Franke Turbo WD-1001B waste disposal system carries a 10 year service warranty that covers all service and parts. This warranty demonstrates the confidence we have in Franke quality.

The Franke warranty policy

The Franke service warranty covers all replacement parts to correct defects in material and workmanship for 10 years from the date of purchase. If service is requested during the warranty period, Franke will replace or repair the disposer at no charge.

Specifications

Motor Horsepower	1 H.P.
Motor Speed R.P.M.	2800
Voltage	220-240
Hz	50/60
Watts	550
Motor Type	Permanent Magnet
Power Cord	Attached
Sink Flange	Stainless Steel & Celcon
Stopper	3 Position
Waste Elbow	ABS
Feed	Batch Feed
Grind Ring	Stainless Steel
Swivel Impellers	Cast Stainless Steel
Turntable	Stainless Steel
Hopper	Glass Filled Nylon
Grinding Chamber	Corrosion Proof Glass Filled Thermoset Polyester
Bearings	Permanently Lubricated; Sleeve Type
Overload Protector	Manual Reset Type
Sound Dampening Shell	Yes - Foam Insulated

You are advised to check with your local authority if you are in any doubt about the Waste Disposal Unit being compatible with the sewerage system.

For kitchens without compromise.



Due to continued product improvement, system configurations and specifications may change without notice.

plumbworld
Big brands, small prices.

Pdf Supplied By <http://www.plumbworld.co.uk/>