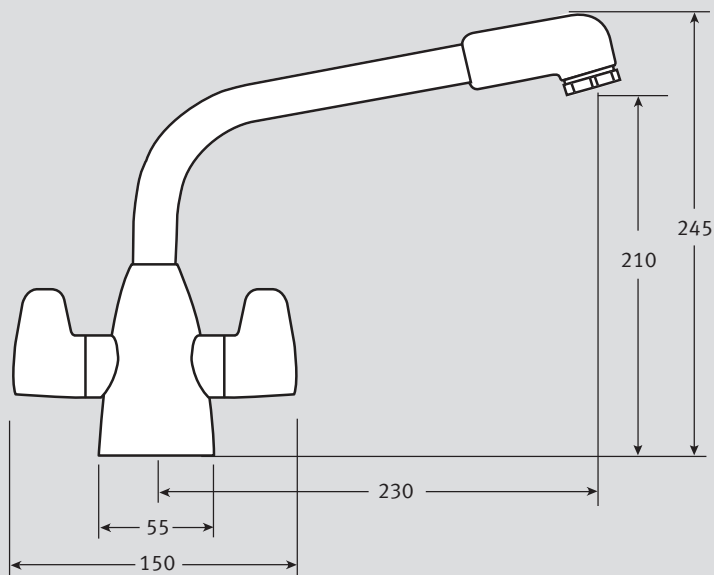


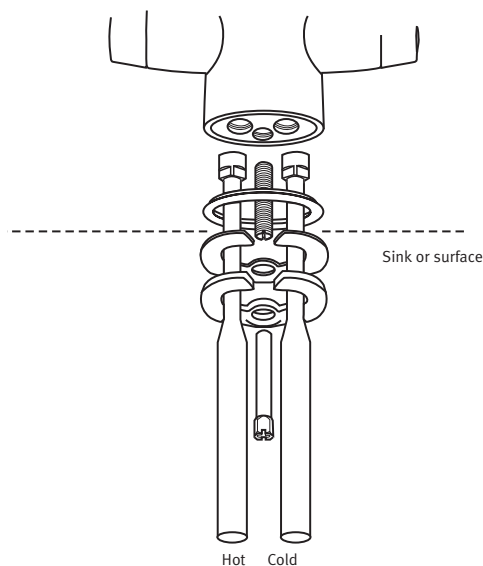
# Davos Tap Specifications

- Elegant modern updated design
- Easily operated handle design
- Available in Chrome & SilkSteel
- Requires 35mm tap hole
- Fully guaranteed with nationwide servicing\*

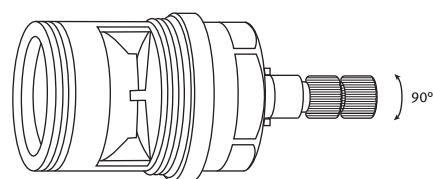


<b>Material:</b>	Plated Brass
<b>Type:</b>	Quarter turn ceramic discs
<b>Spout:</b>	Tubular biflow spout
<b>Tails:</b>	Rigid Tails
<b>Tap Height:</b>	210 (overall tap height 245)
<b>Spout Reach:</b>	230
<b>Handle Width:</b>	150
<b>Colours:</b>	Chrome or SilkSteel
<b>Maximum Water Pressure:</b>	75 PSI (5 bar)
<b>Maximum hot-water Temperature:</b>	65°C
<b>Recommended hot water Temperature:</b>	60°C
<b>Guarantee:-</b>	<b>Valve:</b> 5 years <b>Surfaces:</b> 1 year
<b>Joints:</b>	It is recommended that compression fittings are used to link the tap to the supply.

## Tails:



## Valve Mechanism:



\* South Services: 0870 241 5632 \*Central Services: 01782 599258

All Franke taps are designed to conform with Water Research Council Requirements and are backed by nationwide servicing and guarantees.

**NB.** Ceramic disc taps in certain installations or where there is a low head of water (below 4 metres) may not provide adequate flow rates. You are advised to check with your supplier. The minimum supply pressure for **Hot** water should be 1 bar to operate the rinse. The optimum is 2 bar from a balanced system (hot and cold).

**plumbworld**  
**Big brands, small prices.**

Pdf Supplied By <http://www.plumbworld.co.uk/>