

Franke UK Limited

West Park, MIOC

Styal Road

Manchester M22 5WB

www.franke.co.uk

Service & Spares:

Central Services 01782 599 258

mail@central-servicesuk.co.uk

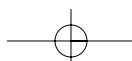
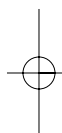
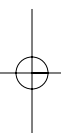
South Services 0870 241 5632

sales@south-services.co.uk

www.south-services.co.uk



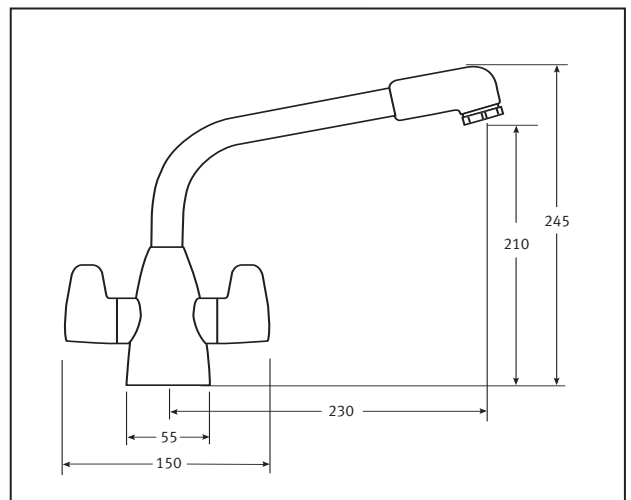
KITCHEN
SYSTEMS



Franke Specialist Range

Davos Tap

Installation Instructions



For kitchens without compromise.

FRANKE

KITCHEN
SYSTEMS

Guarantee

Your Franke mixer has been manufactured to the high standard you would expect of any Franke product but in the unlikely event that you should experience any defect in the materials or workmanship within one year of purchase, we will replace the faulty part free of charge. This is provided the mixer has only been used for normal domestic purposes in the UK and that the care, installation and maintenance instructions have been observed.

This one year guarantee is extended to five years in the case of the valve mechanism.

You should also retain your dated invoice as proof of purchase to validate any claims under our guarantee.

Normal wear and tear is excluded from the guarantee. Decorative surface finishes are guaranteed for one year from the date of purchase provided our advice concerning care has been observed and no scouring agents have been used.

Scuffs and scratches caused by improper installation or accidental damage are not covered by this guarantee. Neither are slight shade variations or any damage or defect caused by incorrect installation or abuse of the fitting.

Design

These mixers are available in Chrome or SilkSteel to complement Franke sinks.

Service

In the event of parts or service being required, please contact:

Central Services Telephone 01782 599 258 or

South Services Telephone 0870 241 5632

Preparation

First shut off your water heating system then, with your mains stop cock closed, open the lowest hot and cold taps in the house and allow to run until the cold storage tank and pipes are empty. (The hot water storage cylinder always remains full).

Installation

First screw the threaded stud into the mixer body. Screw the copper tails into the mixer body and fully hand tighten. After making any necessary alterations to existing pipework, fit in position.

When the tap is in position (with the cold side on the right when viewed from the front) slide the nylon bracing plate up to the underside of the sink together with the retaining plate, and secure by screwing the fixing nut finger tight. Check that the mixer body is correctly positioned and fully tighten fixing nut.

It is recommended that 15mm x 15mm compression fittings be used to connect mixer to supply pipes. Cold is connected to the right and hot on the left when viewed from the front.

Attention

Before installing the new mixer it is essential that you thoroughly flush through the supply pipes in order to remove any remaining swarf, solder or other impurities. Failure to carry out this simple procedure could cause problems or damage to the workings of the mixer.

Having first checked all new connections, turn on the mains stop cock, close all taps except the new mixer and as the system starts to refill check for leaks.

Once you have satisfied yourself that there are no leaks, switch on the water heating.

Warning

These hints have been prepared for your guidance, you must exercise due care at all times. We do not accept responsibility for any problems that may occur through incorrect installation.

How to care for your kitchen sink mixer

To maintain the appearance of this fitting, ensure it is cleaned only using a clean, soft damp cloth. A solution of warm water and mild liquid detergent may be used where necessary, and then the fitting rinsed thoroughly.

Abrasive cleaners or acidic cleansers **MUST NOT BE USED** under any circumstances. Avoid contact with all solvents.

Technical data

Maximum water pressure: 75 PSI (5 bar)

Maximum hot-water temperature: 70°C

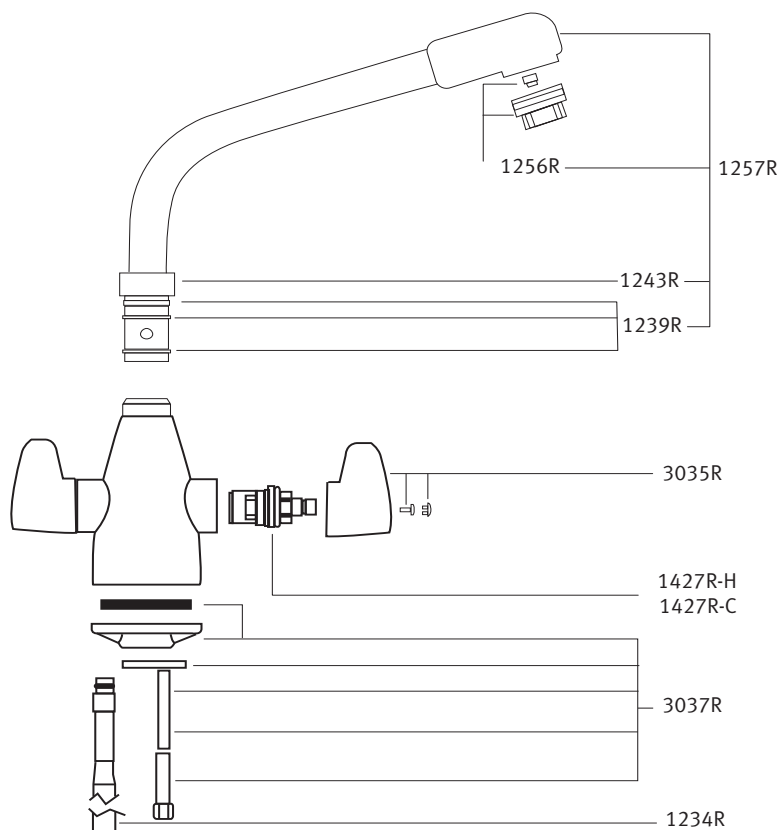
Recommended hot-water temperature: 65°C

Note: If these temperatures or water pressures are exceeded damage to the tap can result.

A pressure reducing valve may be required to be fitted in high water pressure situations.

Recommended Parts List

1257R+colour	Spout
1256R+colour	Perlator
1239R	O-ring kit
3035R C	Cold Handle
3035R H	Hot Handle
1427R C	Cold Valve
1427R H	Hot Valve
3037R	Fixing Kit
1234R	Copper Tails



plumbworld
Big brands, small prices.

Pdf Supplied By <http://www.plumbworld.co.uk/>