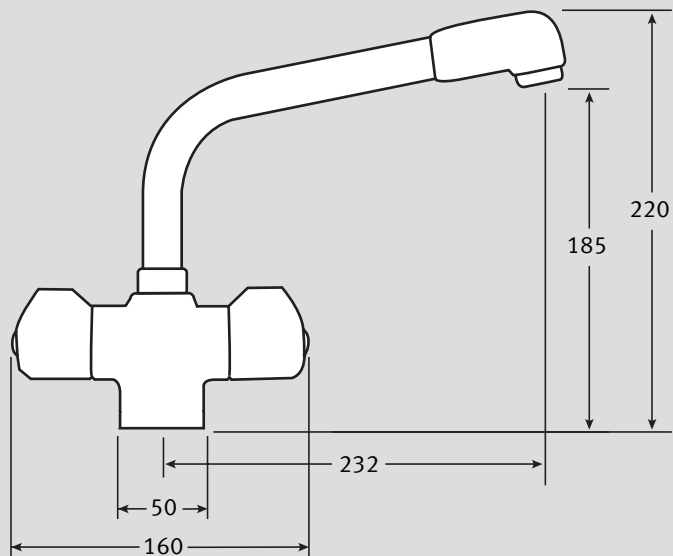


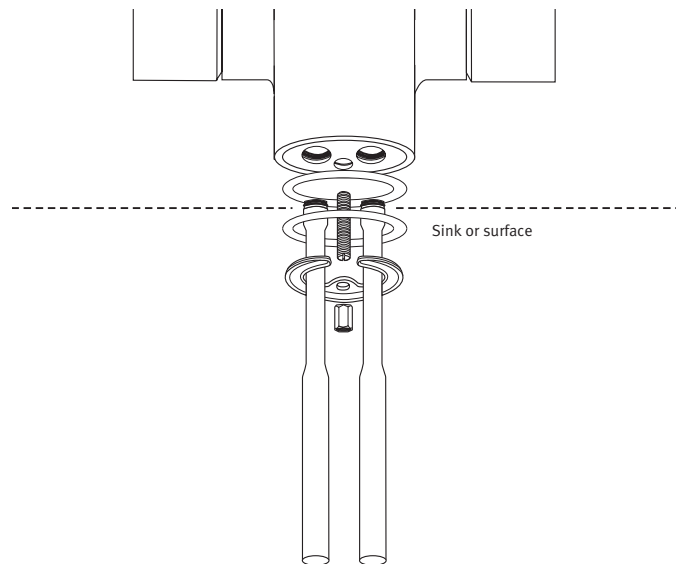
Professional Danube Tap Specifications

- Attractive flush fit handle design
- Formed spout
- Brass body and spout
- Screw in spout
- Compatible with most Franke sink types
- Requires 35mm tap hole
- Fully guaranteed with nationwide servicing*

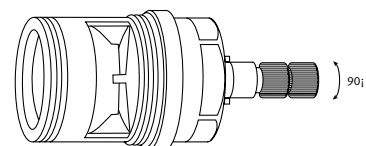


Material:	Solid brass body and brass spout	
Type:	Quarter turn ceramic disc	
Spout:	Bi-flow spout	
Tails:	Screw-in 15mm copper tails supplied with one built in non-return valve. Fixing kit supplied for body.	
Tap Height:	185 (overall tap height 220)	
Spout Reach:	232	
Handle Width:	160	
Colours:	Chrome	
Maximum Water Pressure:	75 PSI (5 bar)	
Maximum Hot-Water Temperature:	70°C	
Recommended Hot-Water Temperature:	65°C	
Guarantee:-	Ceramic mechanism	5 years
	Surfaces:	1 year
Joints:	It is recommended that compression fittings are used to link the tap to the supply.	

Tails:



Valve Mechanism: Cartridge



Some taps may require bracing to avoid flexing of the sink ledge.

plumbworld
Big brands, small prices.

Pdf Supplied By <http://www.plumbworld.co.uk/>