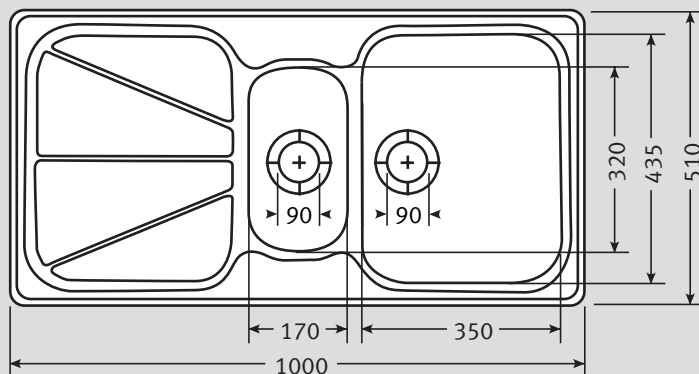
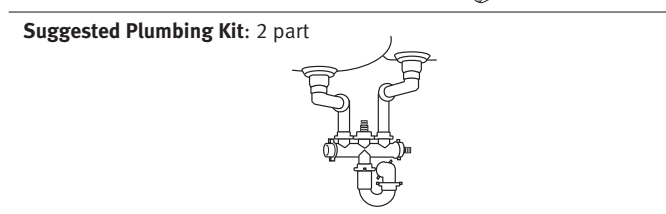
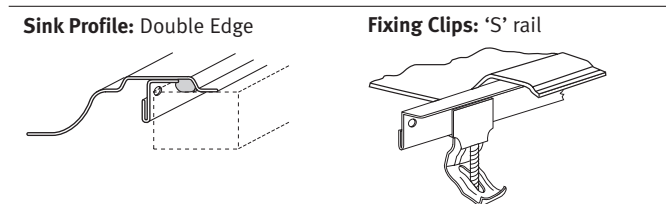
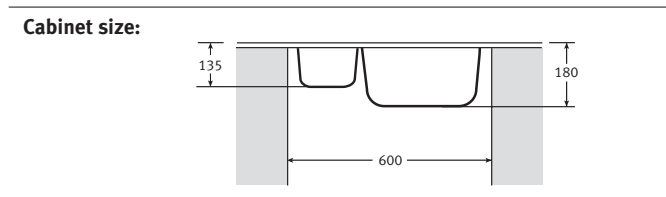


Simplon SPX 651 Specifications

- Stylish Ariane alternative
- Standard Ariane Bowls
- Large diagonal dimensions
- Reversible format
- Wastes in centre of bowls



Material:	Stainless Steel
Application:	Inset or undermount
Bowl size:	350 x 435 x 180 170 x 320 x 135
Drainer Format:	Left or right hand available
Cut-out size:	984 x 494
Colour:	Silk Stainless Steel
Seal:	Factory fitted Polyurethane seal
Insulation:	Grey Dynaphon heat and sound
Heat Resistance:	Up to 300°C
Earthing Point:	Located at end of clip rail



Waste: 1 x Lira 90mm Basket Strainer Waste with overflow
1 x Lira 90mm Basket Strainer Wastes

Overflow:

Accessories available:

<p>Strainer Bowl Available in White, Almond, Brown or Black</p>	<p>Drainer Basket Available in White, Almond, Brown or Black</p>	<p>Drainer Tray Stainless Steel</p>
<p>Drainer Tray Available in White, Almond, Brown or Black</p>	<p>Food Preparation Platter Mahogany</p>	<p>Drainer Basket Stainless Steel</p>
<p>Strainer Bowl Stainless Steel</p>		

Taps: Any Franke tap can be utilised with this model*.

*Ceramic disc taps in certain installations or where there is a low head of water (below 4 metres) may not provide adequate flow rates. You are advised to check with your supplier.

Some taps may need bracing to avoid flexing of the sink ledge.

Guarantee: Franke sinks are guaranteed for 25 years against manufacturing defect. Franke taps are guaranteed against defective materials and workmanship for 1 year in relation to coatings and finishes, and 5 years in relation to moving parts. Franke will replace (and where appropriate repair) defective sinks. In relation to taps, Franke will where appropriate provide replacement parts for your taps or replace your taps. Any associated or ancillary costs to be incurred by you as a result of replacement of Franke sinks and taps under this guarantee shall in all cases be previously approved by Franke UK Limited. This guarantee is in addition to and does not affect your statutory rights.

The Franke policy is one of continued improvement, and Franke reserve the right to alter models and specifications without notice.

plumbworld
Big brands, small prices.

Pdf Supplied By <http://www.plumbworld.co.uk/>